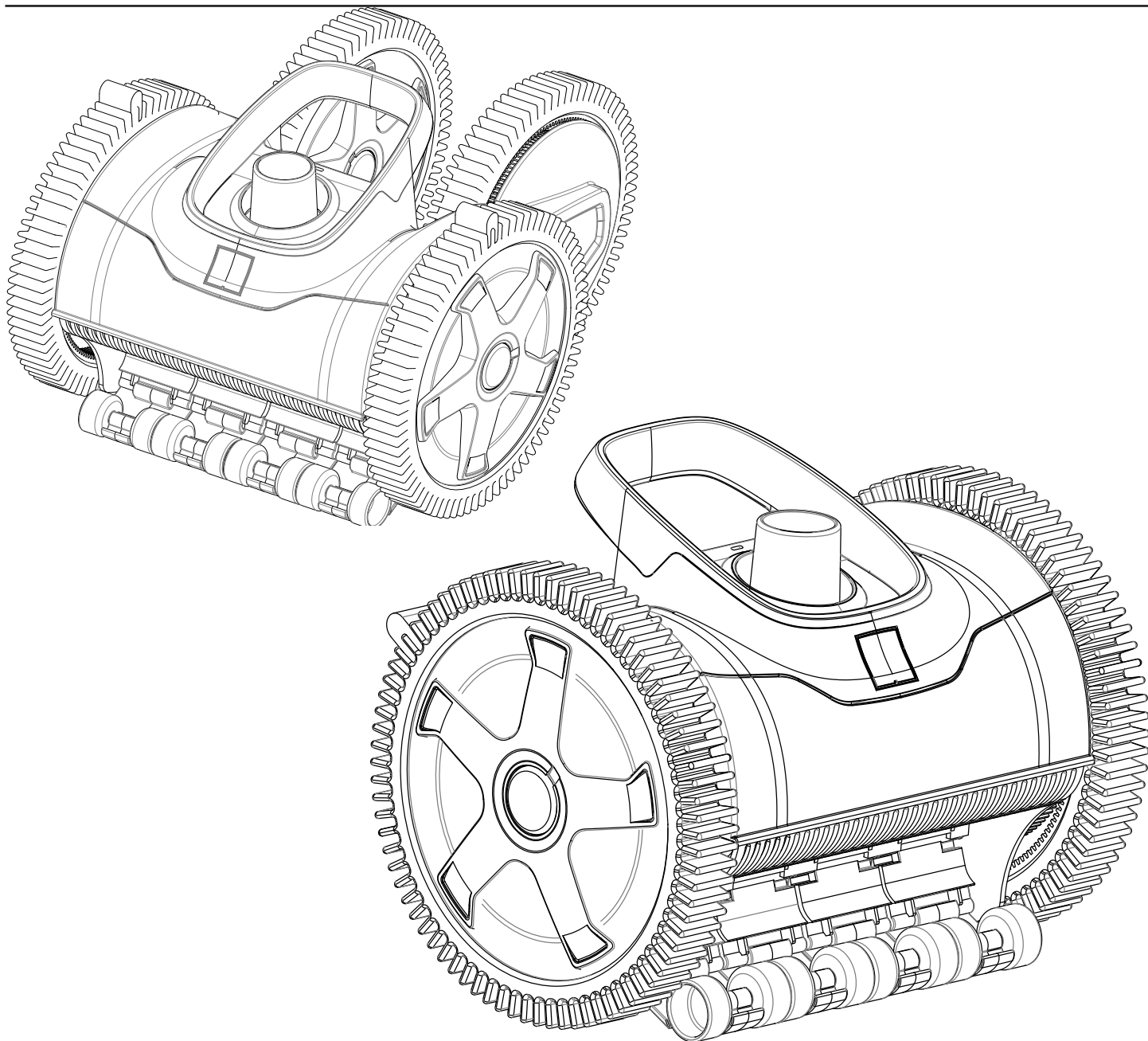




Owners manual

2 Wheel & 4 Wheel

Suction-Side Poolcleaners



Hayward Pool Products
620 Division Street | Elizabeth, NJ 07201
www.Hayward-Pool.com



FEATURES

SELF ADJUSTING TURBINE VANES

All the cleaners have the patented self-adjusting turbines, which maximize the power from the water flow. This turbine is similar to a paddle wheel with blades that are adjustable. This feature allows the cleaner to still move at low suction and low pressure. In addition the folding vanes of the turbine allow for the easy passage of larger debris through the cleaner.

STEERING SYSTEM

The 2x and 4x Suction cleaner have an internal programmed steering system, that causes the left wheel to periodically reverse, allowing the cleaner to turn and then move into another direction. For the 2x Suction cleaner there are five different programmed turns ranging from 90 to 450 degrees. For the 4x Suction Cleaner there are three different programmed turns ranging from 90 to 540 degrees. This feature allows the cleaner to cover not only the deep end, but also the shallow end.

This steering system allows for the 2x Suction cleaner to travel 8 to 10 ft. before it turns, and the 4x Suction cleaner will travel 11 to 14 ft. before it turns. The cleaner cleans more in the shallow end than any other cleaner. The cleaner has no problem with uneven surfaces or strange shapes. It won't stick in a corner, or get hung up by a main drain.

ROBUST TIRE TREADS

One look and you will see that the patented tire treads give the cleaner better climbing ability and obstacle maneuverability. The tires come with tread wear markers that show you when to replace your tires. The front tires of the cleaner have humps (raised treads) that allow the cleaner to overcome any reasonable obstacles such as the main drain and uneven surfaces. This makes the Cleaner ideal for all pool surfaces and shapes.

SELF-CLEANING SWIVEL

This is a feature that allows the cleaner to turn freely without interference from the hose due to debris buildup in the swivel hose cone. By self-cleaning, the swivel prevents the hose from coiling. (Note: Sometimes with severe debris one needs to hold it under a water faucet for cleaning).

WALL CLIMBING

Cleaner will only climb walls on pools with sufficient floor to wall radius.

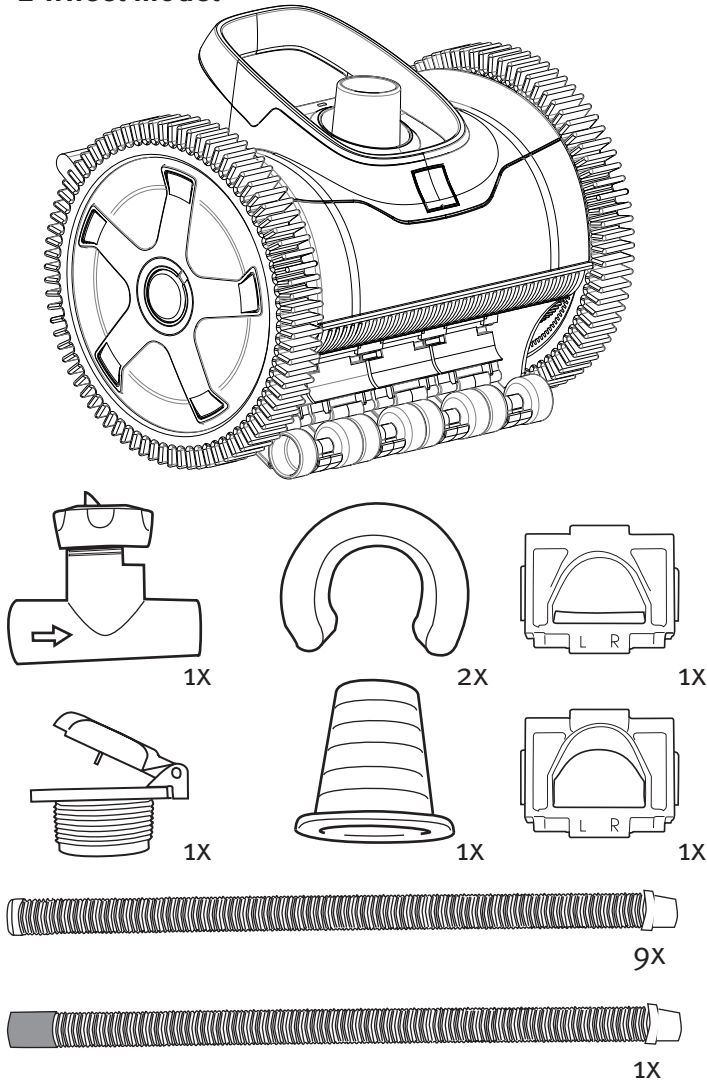
The cleaner has patented adjustable skirts that allow the cleaner to maintain optimal suction under the machine even when it encounters obstacles. When the Cleaner encounters an obstacle one (or more) of the skirts will lift up (adjust) over the obstacle while maintaining suction under the cleaner.

SAFETY FACTS

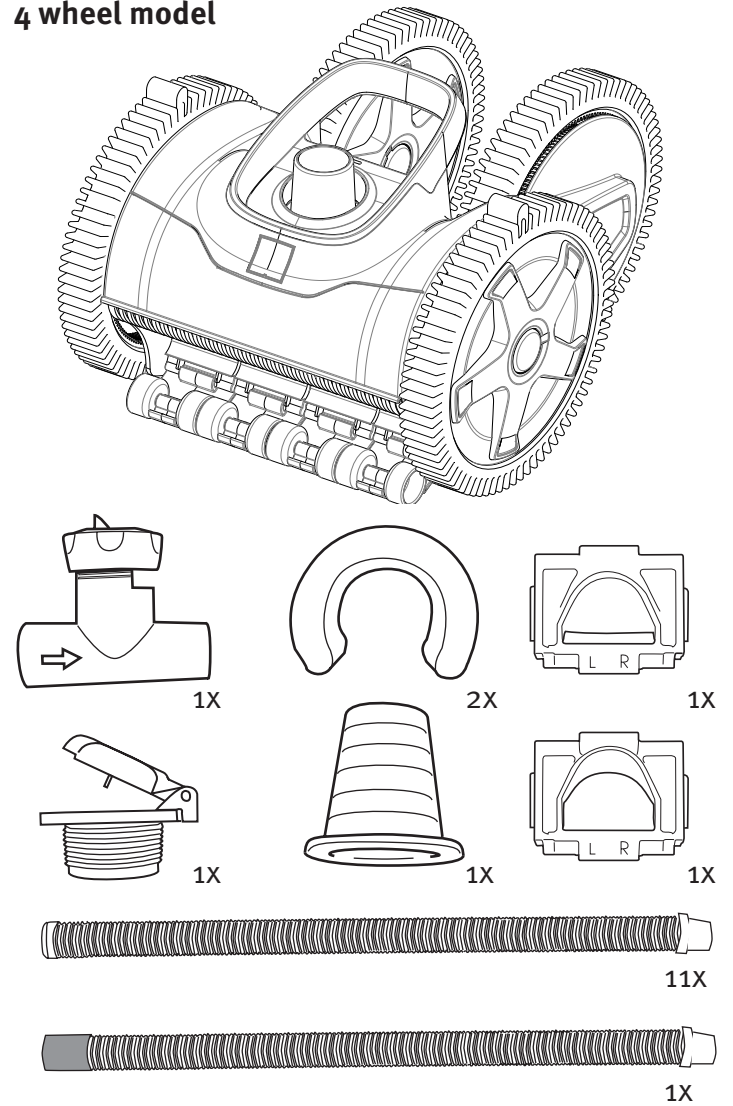
- **DO NOT** use to remove large debris in new pools.
- **REMOVE** the cleaner before chemically shocking your pool.
- **DO NOT** swim with cleaner
- Store the cleaner in a shaded safe area.
- Hoses must be stored straight. **DO NOT** coil the hoses.
- Keep away from children and pets.
- **REMOVE** cleaner when performing backwash.
- **REMEMBER SAFETY FIRST**

PARTS

2 wheel model



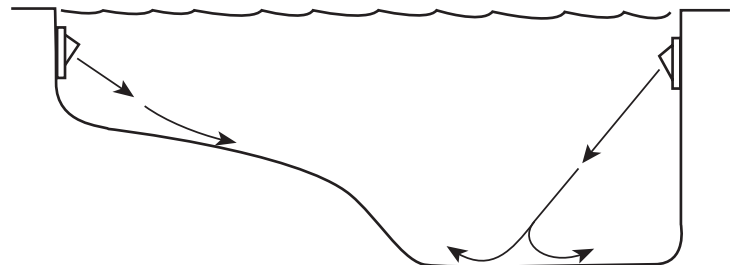
4 wheel model



Installing the Cleaner

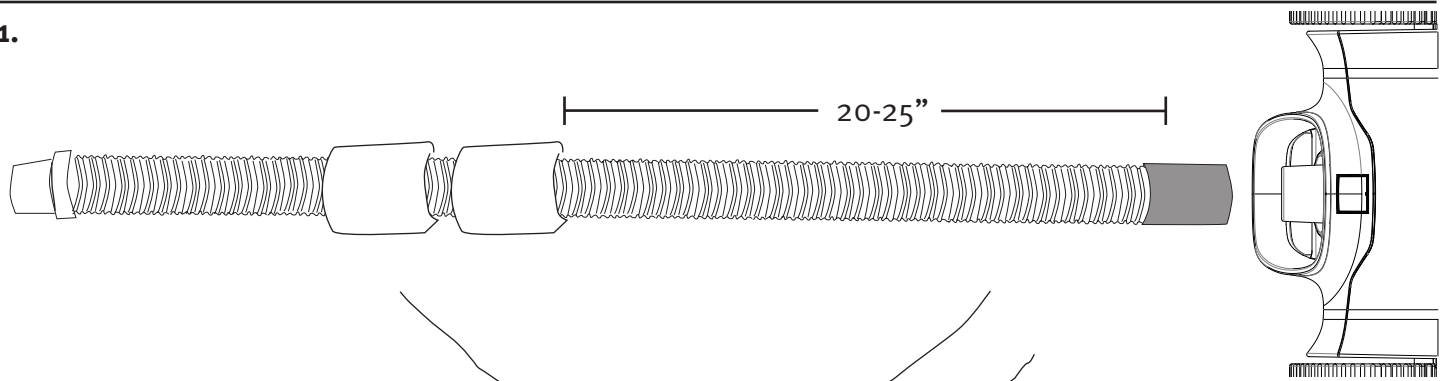
STEP 1; preparing your pool.

1. Manually remove very large and excessive debris from pool (ie. post storm, spring cleaning/pool opening situations).
2. Perform a backwash, clean your filter, skimmer baskets and pump basket.
3. Make sure your chemical balance is correct. If not, now is the time to correct it. If you chemically shock the pool, wait a day or two before continuing.
4. Point all your return fittings downward.

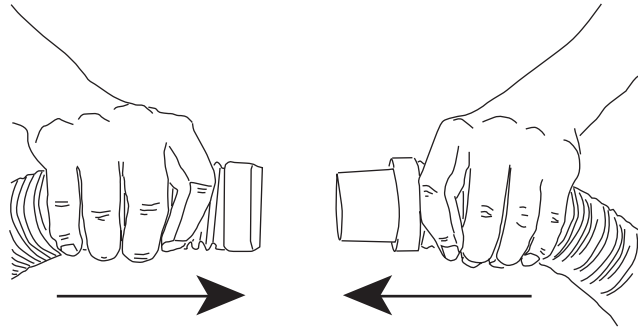


STEP 2; connecting the hoses.

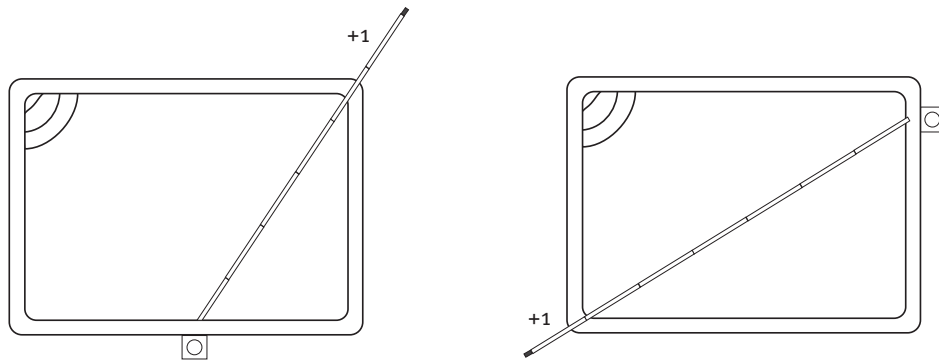
1.



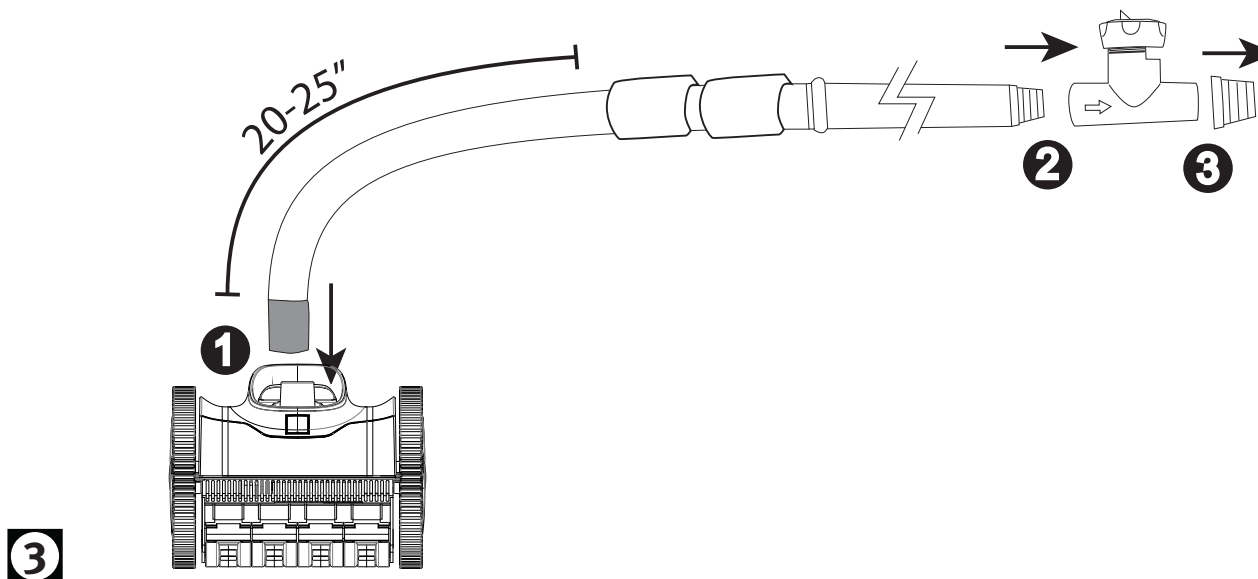
2.



3.

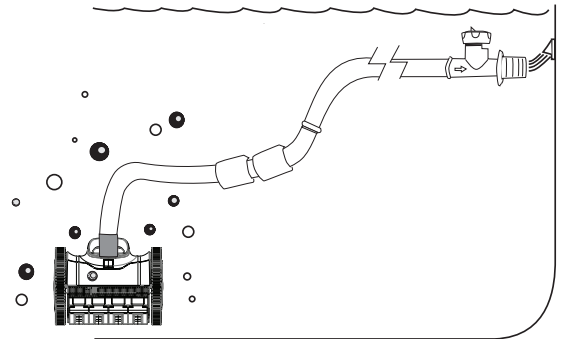


STEP 3; attaching the cleaner.



STEP 4; submerging the cleaner.

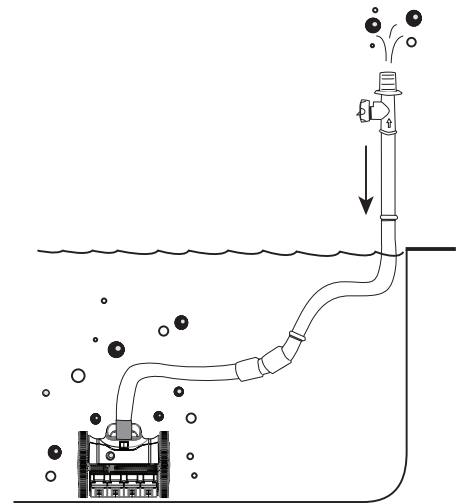
Lower the cleaner into the water. While your pump is running, take the end of the hose with the Adjustable Regulator Valve (if you need it) and hold it against one of the return fittings to expunge all of the air in the hose and the cleaner.



OR

With the pump turned off, lower the cleaner and then vertically push the hose down into the water until the hose is completely filled with water.

YOU DO NOT WANT ANY AIR TO REMAIN IN THE HOSE AND THE CLEANER!!



STEP 5; connecting to suction.

1. Make sure that the filtration pump is turned OFF. **SUCTION CAN BE VERY DANGEROUS!!!**

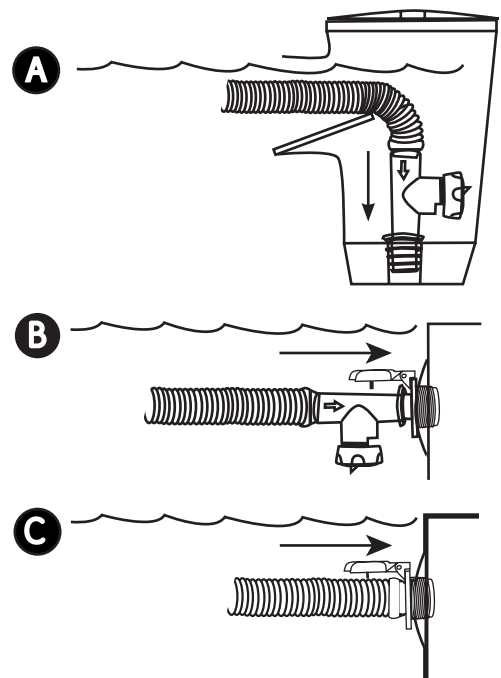
2. If you are hooking into a skimmer tightly press the Regulator Valve and the Hose Cone (Valve Adapter) end into the bottom of your skimmer. (see image **A**)

3. If you are hooking into a designated threaded suction port/line then screw in the Vac Lock and insert the Regulator Valve. (see image **B**)

OR

Insert the hose directly into the Vac Lock and use your 3-way or ball valve to get the correct performance when the Regulator Valve is not used. (see image **C**)

4. Switch the pump power back ON.



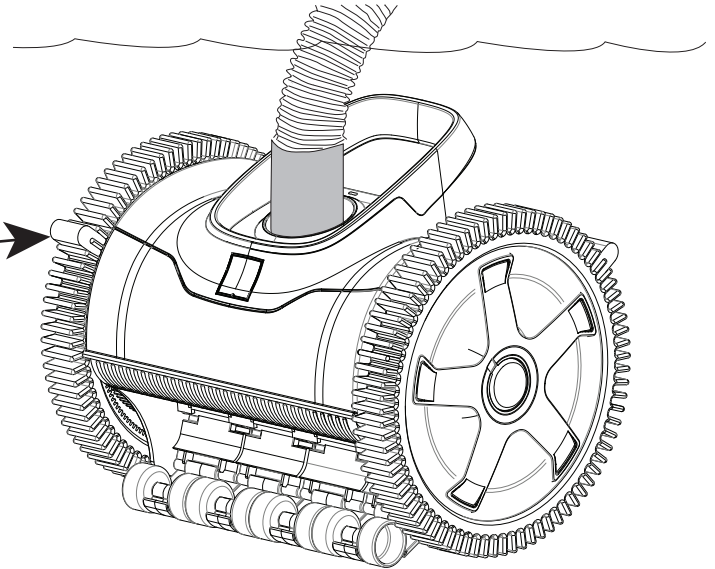
STEP 6; adjusting the cleaner.

ADJUSTING WHEEL RPM: For the cleaner to run optimally the revolutions per minute (RPMs) should be between 11 and 14 (Note it will still clean as low as 8 RPM but will NOT climb walls).

While the cleaner is running take it by the leader hose so that the cleaner is just below the water. (KEEP THE CLEANER BELOW THE WATER LEVEL or else it will suck air). Now count the number of revolutions made per minute by the RIGHT FRONT WHEEL by using the hump (raised treads) as your marker. If it is between 11 and 14 RPM you are done.

If your cleaner RPMs are not within the range there are two ways to adjust it.

NOTE: This is equivalent to 7 to 10 inches of mercury on a vacuum gauge. A vacuum gauge is NOT included with the cleaner but is available at your local pool store.

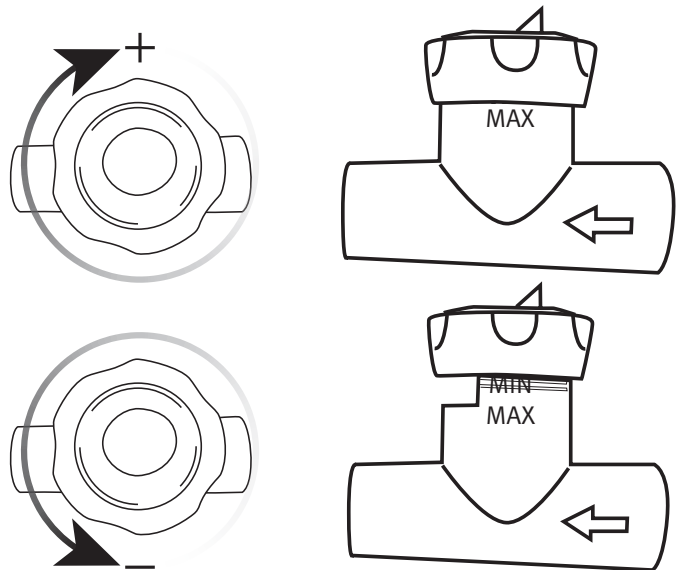


This valve regulates the suction so that the Cleaner does not exceed the optimal 11-14 RPM (revolutions per minute). It does so by opening to bypass water when necessary. This will ensure the best possible performance from your cleaner.

1. ADJUSTING THE BYPASS VALVE:

Screwing the top in you will bypass less water, increasing the RPM (speed). If it is all the way in and you still are below 11 RPM adjust the 3-way valve for more suction and/or clean the filter. Remove the valve.

Screwing the top out you will bypass more, decreasing the RPM (speed). If it is screwed all the way out and you still are above 14 RPM adjust the 3-way valve to give less suction. Note: If the line you are hooked to (skimmer or inlet) has a 3-way valve or ball valve you may have to adjust the 3-way valve or ball valve even if you are using the regulator valve.

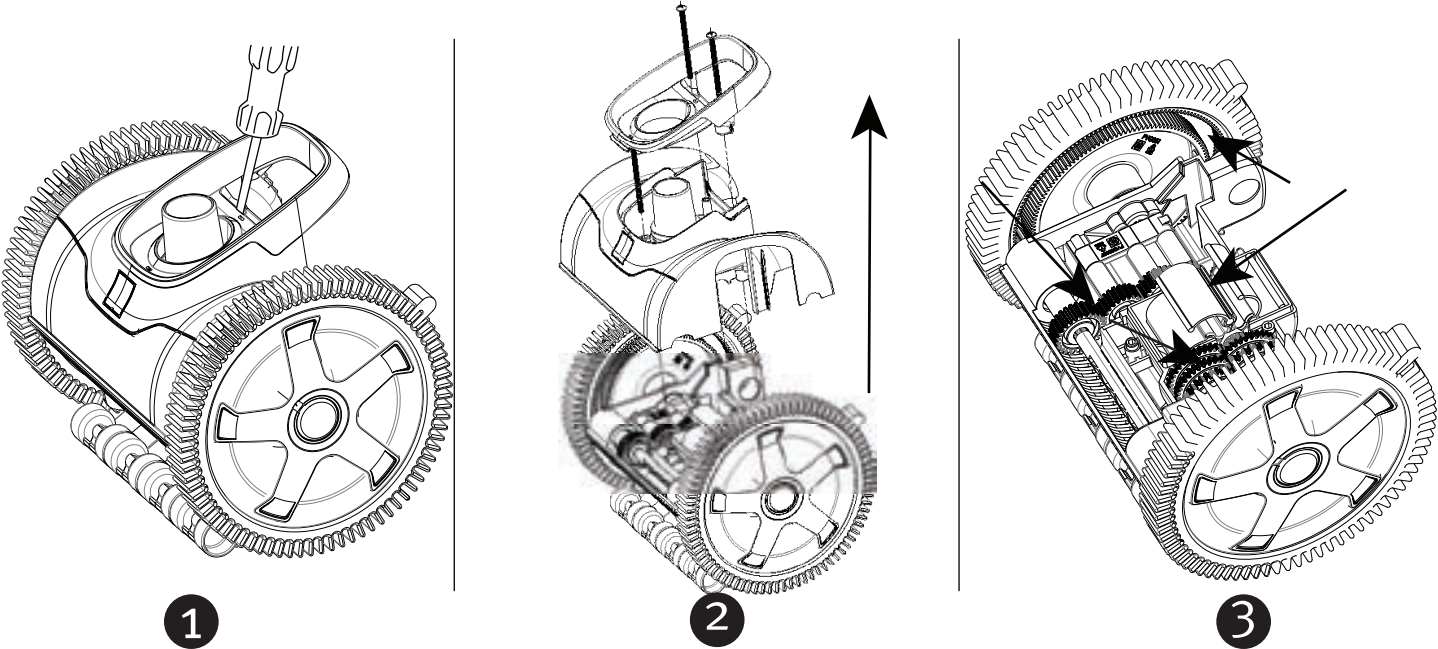


2. ADJUSTING SUCTION FLOW:

Adjust the amount of flow from the suction line/skimmer line to obtain the proper flow.

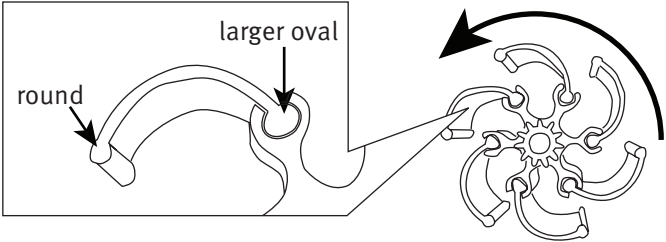
Servicing the Cleaner

Removal of Obstructions



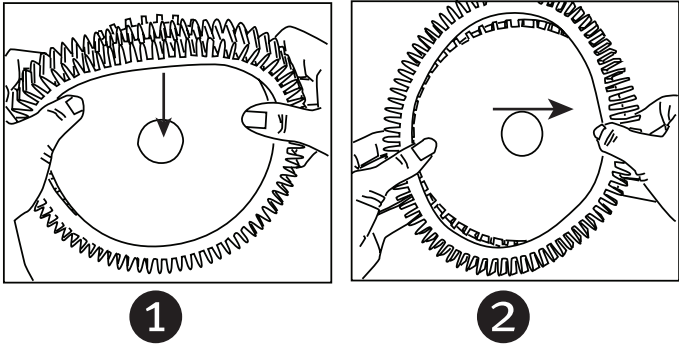
Turbine Vanes/Blades

The turbine vanes have to be placed in the turbine hub a certain direction. We use the following mnemonic the turbine vanes are like “a wave breaking” toward the front of the cleaner. In the front of the unit the vanes are convex (like a mountain) in the back they are concave (like a valley). NOTE: The large elliptical end of the vanes is placed into the turbine.



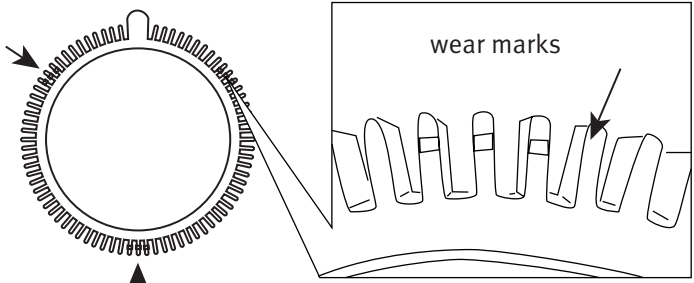
Tires

Removal and Replacement:



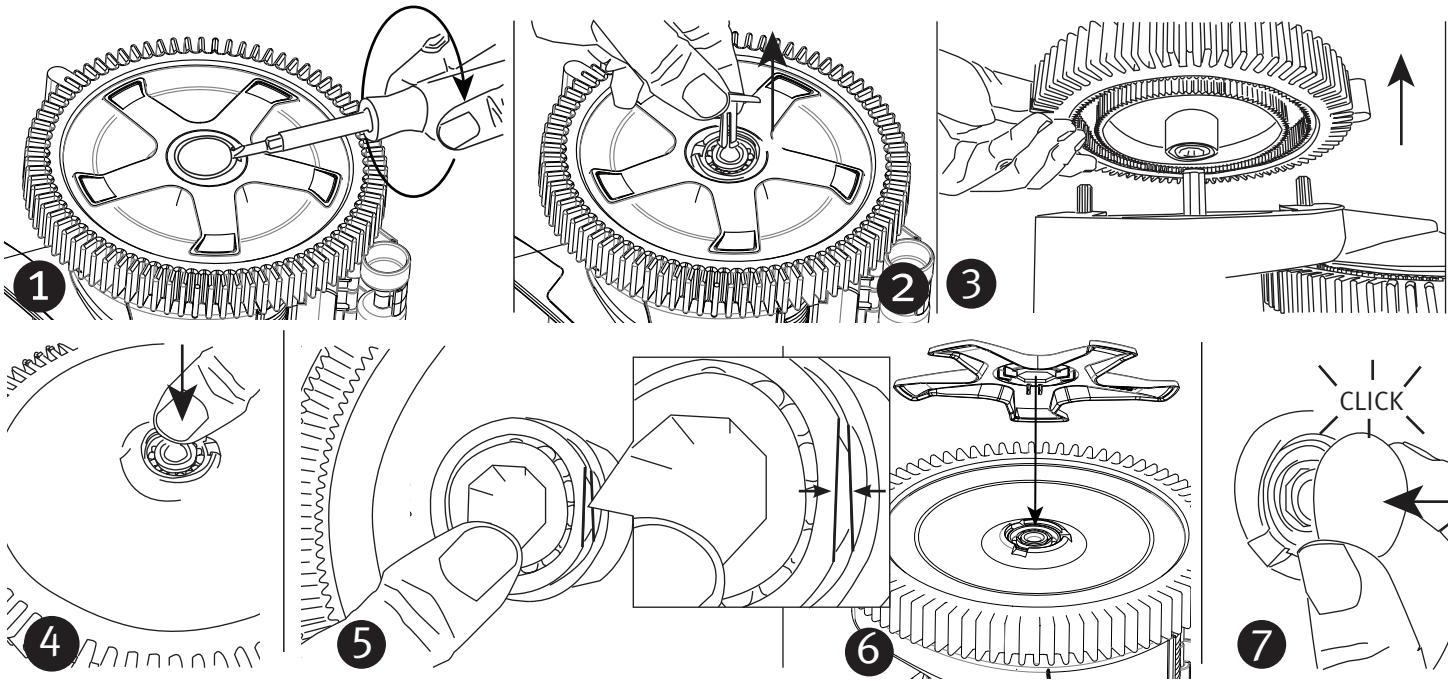
Wear Marks:

The tires must be replaced when they are worn down to the tread wear indicators. Note: if you can't see them you are worn past them.



USING CLEANER WITH WORN TIRES MAY DAMAGE POOL SURFACE OR TRIM!

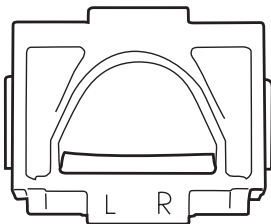
Wheel or Bearing Removal & Replacement



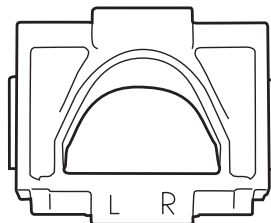
When the unit is reassembled turn the right front wheel (looking from behind) and make sure everything turns smoothly.

Skirt and Inlet Removal & Replacement

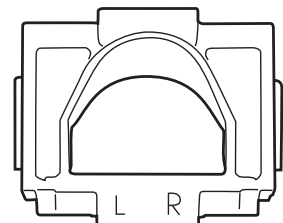
Inlet Sizes:



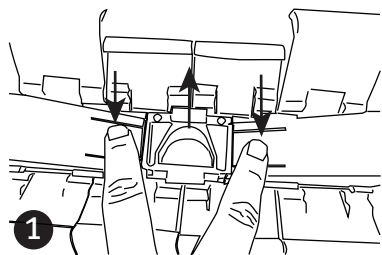
Small*
small pump/variable speed
low flow



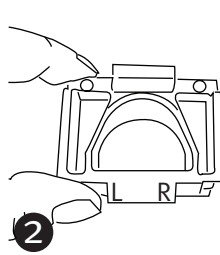
Medium
average pump
normal flow



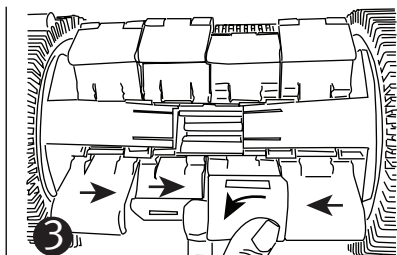
Large
large pump
high flow



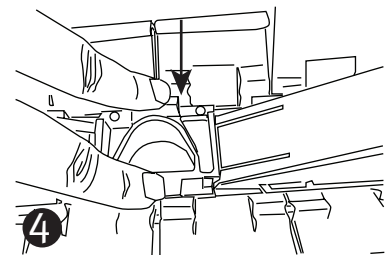
1 Turn the unit upside down and press with both fingers on both sides of the inlet. While pushing down pull up on the inlet.



2 Remove the inlet.



3 Once the inlet is removed you can remove any debris that is in the turbine chamber. You can also remove and replace the skirt/bracket assemblies. One of the middle skirt/brackets can be easily pulled out. Once one assembly is out you can slide the others out easily to replace.



4 Once any debris has been removed or the skirts have been replaced replace the inlet. Note it can only be inserted in one direction and once it is in it should clip on both sides. Note: if it does not clip in then you have it the wrong way around (it is marked L and R).

7 *Low flow applications may affect cleaners ability to climb walls.

Troubleshooting; ALWAYS TURN OFF THE SYSTEM BEFORE PERFORMING ANY REPAIRS.

Problem	Solution
Cleaner doesn't move or moves too slow.	<ul style="list-style-type: none">•Check wheel RPM.•Obstruction in the cleaner itself. If there was an obstruction make sure vanes are replaced correctly.•The pump may be turned off or on low speed.•The pump may not be primed. Check for leaks in the system (symptoms--bubbles from the returns ?) Possible other problem or obstruction in the system. Pump impeller blocked? Filter needs backwashing. Clean pump basket, skimmers.•Turbine vanes/blades in wrong direction and/or wrong side.•Problem or obstruction in the system.•Obstruction in the cleaner itself.•Low wheel RPM (insufficient flow).
The right wheel will not turn when rotated by hand. (looking from behind)	<ul style="list-style-type: none">•Obstruction in the cleaner itself.
The right wheel skips teeth when rotated forward by hand. (looking from behind)	<ul style="list-style-type: none">•Wheel hub or right drive gear worn/damaged.
The loops in the hoses won't come out.	<ul style="list-style-type: none">•The hoses have been stored in a coiled position. Lay them straight in the sunlight.•Clean swivel on cleaner head by running it under a tap.•Leaf canister it may be in wrong place or not floating.
The cleaner turns in circles, it wont go straight at all.	<ul style="list-style-type: none">•Wheel hub and/or large drive gear and/or steering slide assembly and/or right drive gear are worn or damaged.
The cleaner does not clean the entire pool.	<ul style="list-style-type: none">•The hose is too short.•The float(s) may be in the wrong position. Should be 20-25" from cleaner head.•The Hose Cone Swivel (on the turbine cover) may be dirty.•The return fittings may be pushing the cleaner hoses away. Point them down.
The cleaner climbs the wall too much or climbs out.	<ul style="list-style-type: none">•The tire treads and skirts may be worn down.•Too much suction or flow.•You are not using the Bypass Valve (if hook up is in skimmer).•Auto skim plate/vac plate needs adjustment.
The cleaner won't climb the wall.	<ul style="list-style-type: none">•Too little suction or flow.•Float may be in the wrong position.
When the pump turns off the hoses pop out of the skimmer or suction inlet.	<ul style="list-style-type: none">•Make sure hose cone is properly placed into inlet/port/water gate.•Air in system. When pump shuts off air goes path of least resistance and pops out the hose. Fix air leak.
Wheels are wobbly.	<ul style="list-style-type: none">•Bearings are worn please replace.
The cleaner falls on its side and takes too long to recover.	<ul style="list-style-type: none">•The float(s) may be in the wrong position or missing.•The hose is too short.•The return fittings may be pushing the cleaner hoses away.•Check wheel RPM.
Turbine vanes /blades pop out of turbine.	<ul style="list-style-type: none">•Wrong side of vane in the turbine hub. Large oval side should be in turbine.•Turbine hub possibly worn.



Hayward Pool Products Limited Warranty

To original purchasers of this equipment, Hayward Pool Products, Inc, warrants these cleaners to be free from defects in materials and workmanship for a period of TWO (2) year from the date of purchase, when used in single family residential applications.

The limited warranty excludes damage from freezing, negligence, improper installation, improper use or care or any Acts of God. Parts that fail from a defect or become defective during the warranty period shall be repaired or replaced, at our option, within 90 days of the receipt of defective product, barring unforeseen delays, without charge.

Proof of purchase is required for warranty service. In the event proof of purchase is not available, the manufacturing date of the product will be the sole determination of the purchase date.

To obtain warranty service, please contact the place of purchase or the nearest Hayward Authorized Service Center. For assistance on your nearest Hayward Authorized Service Center please visit us at www.hayward-pool.com.

Hayward shall not be responsible for cartage, removal, repair or installation labor or any other such costs incurred in obtaining warranty replacements or repair.

The Hayward Pool products warranty does not apply to components manufactured by others. For such products, the warranty established by the respective manufacturer will apply.

The express limited warranty above constitutes the entire warranty of Hayward Pool Products with respect to its' pool products and is in lieu of all other warranties expressed or implied, including warranties of merchantability or fitness for a particular purpose. In no event shall Hayward Pool products be responsible for any consequential, special or incidental damages of any nature.

Some states do not allow a limitation on how long an implied warranty lasts, or the exclusion of incidental or consequential damages, so the above limitation may not apply to you. This warranty gives you specific legal rights, and you may also have other rights, which vary from state to state.

Warranty Registration Card

DETACH HERE: Fill out bottom portion completely and mail within 10 days of purchase/installation or register online.

WARRANTY REGISTRATION CARD

Register online at www.haywardnet.com

Please Print Clearly:

First Name _____

Last Name _____

Street Address _____

City _____ State _____ Zip _____

Phone Number _____ Purchase Date _____

E-Mail Address _____

Serial Number _____

Model Number _____

Pool Capacity _____ (U.S. Gallons)

Please include me on all e-mail communications regarding Hayward® Equipment or promotions.

Mail to: Hayward Pool Products, 620 Division Street, Elizabeth, NJ 07207

Attn: Warranty Dept

or REGISTER YOUR WARRANTY ON-LINE AT WWW.HAYWARDNET.COM

Thank you for your purchase.

Years Pool has been in service

< 1 year 1-3 4-5 6-10 11-15 >15

Purchased from

Builder Retailer Pool Service Internet/Catalog

Company Name _____

Address _____

City _____ State _____ Zip _____

Phone _____

Type of Pool:

Concrete/Gunite Vinyl Fiberglass

Other _____

New Installation Replacement

Installation for:

In Ground Above Ground Spa