



# SelectaFlo™ Hi-Efficiency Valve

## How To Guide



HTG-SAFFVa

Copyright 2018 Hayward Industries Inc.

# Table of Contents

## How To:

**Pg. 3-8**

Product Overview

3

Function of Valve Positions

4

Handle Installation

5

Assembly

6

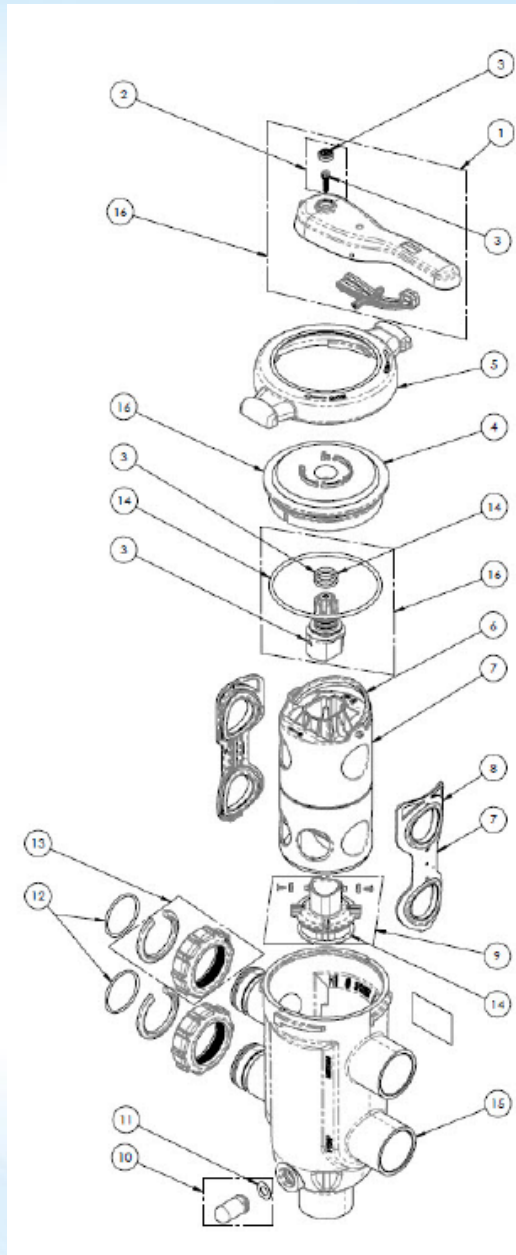
Operating Instructions

7

Winterization Disassembly

8

# Valve: Replacement Parts



ITEM	Part #	Description	QTY
1	SPX0425GH	HANDLE WITH LATCH, SCREW, HANDLE PLUG	1
2	SPX0425Z3	SCREW FOR HANDLE, HANDLE PLUG	1
3	SPX0425E	VALVE SHAFT WITH "O"-RINGS, SCREW AND HANDLE PLUG	1
4	SPX0425C	VALVE COVER	1
5	SPX0425B	LOCKRING	1
6	SPX0425D3	VALVE HUB HANDLE	1
7	SPX0425D	VALVE HUB WITH HUB HANDLE AND SEAL CARRIERS	1
8	SPX0425KPAK2	SEAL CARRIER (SET OF 2)	1
9	SPX0425MPA	WASTE PORT SEAL CARRIER ASSEMBLY	1
10	SPX0710MA	SIGHT GLASS WITH GASKET	1
11	SX200Z9	SIGHT GLASS GASKET	1
12	SX200Z4PAK2	VALVE O-RING (SET OF 2) (FOR UNIONS)	1
13	SPX0425L	UNION SNAP RING AND NUT (QTY 1 EACH)	2
14	SPX0425Z2	O-RING SEAL KIT (SHAFT, COVER, WP SEAL)	1
15	SPX0425A	VALVE BODY	1
16	SPX0425BCE	HANDLE, LATCH, SHAFT, COVER, SCREW, HANDLE PLUG, SHAFT "O"-RINGS AND COVER "O"-RING	1

# Valve: Product Overview

- The SelectaFlo Hi-Efficiency valve is designed for **Hayward ProGrid DE** series filters.
- The valve has built in unions to attach to the filter.
- The Pump, Return, and Waste ports are 2" SKT x 2 ½ Spigot (solvent weld) connections.
- The supplied elbow can be used on the waste port to direct waste piping away from the equipment pad.
- For connections to the TriStar and the EcoStar pumps, use the supplied EcoFlo union fitting from the pump outlet to the pump port on the valve.



# Valve: Function of Valve Positions

*ALWAYS turn off pump before changing valve position.*

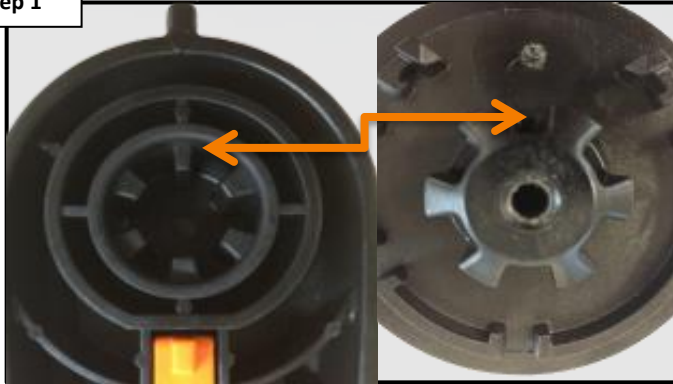
VALVE SETTING	FLOW DIRECTION THROUGH VALVE
(1) FILTER	PUMP – THROUGH FILTER – RETURN For normal filtration and vacuuming pool through filter.
(2) BACKWASH	PUMP – THROUGH FILTER – WASTE For cleaning filter.
(3) RECIRCULATE	PUMP – THROUGH VALVE – RETURN For bypassing filter, but circulating pool water.
(4) WASTE	PUMP – THROUGH VALVE ONLY – WASTE For vacuuming directly to waste, lowering pool level and/or draining pool.



# Valve: Installation: Handle

*Use the steps provided to install the handle assembly.*

Step 1



Secure the handle to valve by aligning the thin tooth on handle with the thin slot on valve shaft.

Step 2



Insert the screw into handle & tighten with a 3/8" socket & ratchet. Align and press handle plug into slot to cover screw.

Step 3



Completed assembly will look like picture above.

# Valve: Assembly

*Use the steps provided to install the valve assembly.*

Step 1



Install waste port seal carrier by aligning the locating features (arrows) on the carrier and the bottom of the valve body

Step 2



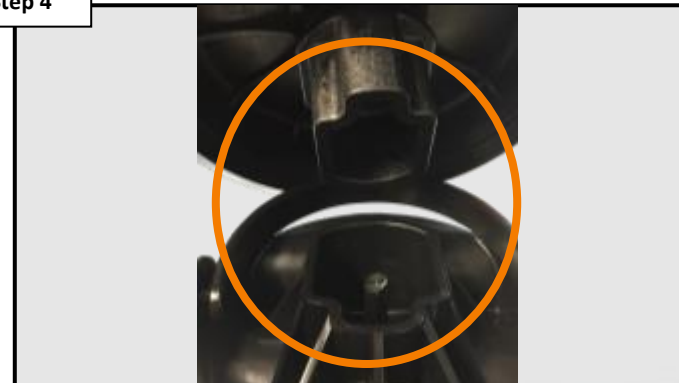
Lubricate inward facing seals with silicon lube and install seal carriers by firmly pressing them down into their slots.

Step 3



Install Hub Assembly into valve body by aligning the locating features (arrows).

Step 4



Fold handle down and install the cover by aligning cover and hub locating features.

# Valve: Operating Instructions

*Turn off pump before changing valve position.*

Step 1



**Depress button on handle to release handle latch.**

Step 2



**With button depressed rotate handle to desired valve position.**

Step 3



**Release button on handle, allowing handle to lock into position.**



# Valve: Winterization Disassembly

*Turn off pump before disassembling filter control valve.*

Step 1



Rotate lock ring counterclockwise for removal of the cover assembly.

Step 2



Remove cover assembly. If difficult to remove, rock the base of the handle while pulling up.

Step 3



Using handle, lift hub assembly out of the body.

Step 4



Remove seal carriers and check for wear. Replace worn or damaged parts.