



HAYWARD[®]
COMMERCIAL AQUATICS

Saline C[®] Series

ELECTRONIC SALT
CHLORINE GENERATORS



GIVE EVERY GUEST AN UPGRADE.



Saline C® brings the luxury of salt-chlorinated water to any commercial pool.

Saline C Series electronic chlorine generators provide an elegant, rugged sanitization solution specifically designed to meet the high chlorine demand of commercial pools.

- » Saline C 6.0 can generate 6 lbs of chlorine per day, enough for a 60,000-gallon outdoor pool or a 90,000-gallon indoor pool*
- » Saline C 11.0 can generate 11 lbs of chlorine per day, enough for a 110,000-gallon outdoor pool or a 165,000-gallon indoor pool*
- » Compact design with a single electrolytic cell
- » Features reverse polarity self-cleaning technology
- » Compatible with chemical automation systems
- » Simple, low-cost installation versus multi-cell alternatives
- » NSF certified

WHY CHOOSE SALT CHLORINATION?

- » Softer, silkier water your guests will love
- » Eliminate the need to transport, handle and store hazardous chemical chlorine
- » Reduce chloramines—and the odors and corrosion that come with them
- » Cut chlorine costs by 40% to 60%
- » Lower cost of ownership over time

*Please check local codes. The sizing provided is based on: 1 lb of chlorine production per 10,000 gallons of water volume (outdoor pools); 1/2 lb of chlorine production per 10,000 gallons of water volume (indoor pools)



SALINE C 6.0 AND 11.0 VESSEL FEATURES

Multiple inlet/outlet configurations with 4" union connections (2" union connections on Saline C 6.0)

Engineered thermoplastic housing provides industrial-grade durability

Clear vessel for easy visual inspection

Convenient drain plug

SIMPLE ONE-MINUTE ELECTRODE CLEANING OR REPLACEMENT



STEP 1: Twist and remove lid



STEP 2: Lift lid and remove electrode from inside vessel



STEP 3: Replace with clean or new lid/electrode assembly

Single-button output control is adjustable from 5% to 100% (Saline C 6.0 model only)

Dual Control Mode for precise chlorine production management (Saline C 11.0 model only)

Clear LED read-out with low salt warning indicator

Male pigtail for compatibility with pH and ORP chemical controllers

110V single plug-in energy-efficient switch-mode power supply

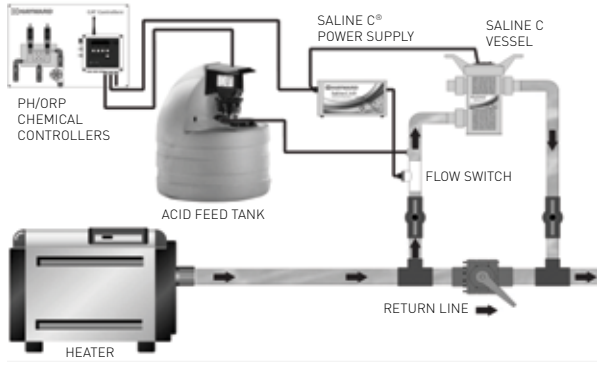


TRY IT WITH

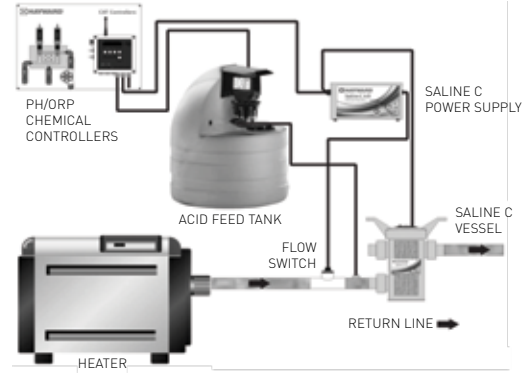


Plug your Saline C Series salt chlorine generator into one of our **CAT Controllers®** to transform it into a totally automated water quality management solution. Via the innovative **PoolComm®** partner app, you can enjoy the convenience of remote monitoring and audit tracking of multiple pools from any iPhone®, Android™ or other web-enabled mobile device.

BYPASS INSTALLATION

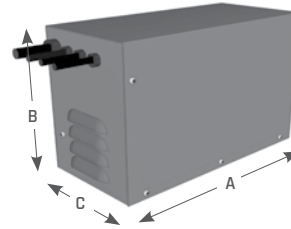


IN-LINE INSTALLATION



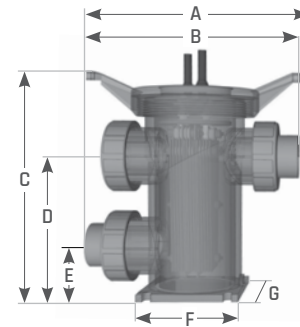
TECHNICAL SPECIFICATIONS

| PART NUMBER | HCSC60 | HCSC110 |
|----------------------------|---|---|
| Power Supply Dimensions | 12" W x 8" H x 5.625" D | 12.75" W x 8" H x 11.125" D |
| Vessel Dimensions | 13.5" W x 15.75" H x 6" D | 16.06" W x 22.42" H x 9.28" D |
| Certifications | UL1081, CSA C22, NSF/ANSI 50 | UL1081, CSA C22, NSF/ANSI 50 |
| LCD Display | Output adjustable 0 - 100% | [2] Output adjustable 0 - 100% |
| Flow Sensor | 2" Magnetic with embedded reed switch | 4" Magnetic with embedded reed switch |
| Power Input (Power Supply) | USA: 5.0 amps, 120V/60Hz International: 4.0 amps, 230V/50Hz | USA: 10.0 amps, 120V/50/60Hz International: 8.0 amps, 230V/50/60Hz |
| ORP Input | Cord with male pigtail connected (supplied blue cord) | Cord with male pigtail connected (supplied blue cord) |
| Vessel Rated Pressure | 50 psi | 50 psi |
| Housing Inlet/Outlet | 2" Union inlet/outlet | 4" Union inlet/outlet |
| Reaction Chamber Style | Clear plastic | Clear plastic |
| Flow Required | 40 gpm through cell to achieve rated production | 80 gpm through cell to achieve rated production |
| Maximum Flow Rate | 125 gpm | 250 gpm |
| Salt Operating Range | 3,500 - 5,000 ppm | 3,500 - 5,000 ppm |
| Electrode Stack | Reverse polarity 4mm plate gap | Reverse polarity 4mm plate gap |
| Production Capacity | 5.0 lbs @ 3,500 ppm* 6.0 lbs @ 5,000 ppm* | 9.2 lbs @ 3,500 ppm** 10.8 lbs @ 5,000 ppm** |
| Safety System | 5 gpm low flow shutoff Low salt indicator Low salt shutoff (2,500-3,000 ppm) Over voltage and over current protection Conformal coated electronics for environmental protection | 5 gpm low flow shutoff Low salt indicator Low salt shutoff (2,500-3,000 ppm) Over voltage and over current protection Conformal coated electronics for environmental protection |
| Warranty | 2-year warranty Warranty pro-rated on electrode stack | 2-year warranty Warranty pro-rated on electrode stack |



POWER SUPPLY DIMENSIONS

| | SALINE C 6.0 | SALINE C 11.0 |
|---|--------------|---------------|
| A | 12" | 12.75" |
| B | 8" | 8" |
| C | 5.625" | 11.125" |



VESSEL DIMENSIONS

| | SALINE C 6.0 | SALINE C 11.0 |
|---|--------------|---------------|
| A | 13.5" | 16.06" |
| B | 12.875" | 15.56" |
| C | 15.75" | 22.42" |
| D | 9.5" | 14.83" |
| E | 3.25" | 4.83" |
| F | 6" | 6" |
| G | 6" | 6" |

ACCESSORIES

| PART NUMBER | DESCRIPTION | CARTON QUANTITY | CARTON WEIGHT (LBS.) |
|-------------|---|-----------------|----------------------|
| HCSBP3-KIT | 3" Commercial Salt Chlorine Generator - Bypass Kit | 1 | 16.0 |
| HCSBP4-KIT | 4" Commercial Salt Chlorine Generator - Bypass Kit | 1 | 19.0 |
| HCSJBOX-BU | Junction Box for Sanitizer Back-up | 1 | 3.0 |
| HCSCECK15 | 15' Cell to Power Supply - Extension Cable Kit | 1 | 5.0 |
| HCSCECFS15 | 15' Flow Sensor to Power Supply - Extension Cable Kit | 1 | 5.0 |

*NSF Certified at 5 lbs. per day.

**NSF Certified at 10 lbs. per day.

» haywardcommercialpool.com » (301) 838-4001

Saline C Series are listed by:



Hayward, Hayward & Design, the H logo, CAT Controllers, PoolComm and Saline C are registered trademarks of Hayward Industries, Inc. All other trademarks not owned by Hayward are the property of their respective owners. Hayward is not in any way affiliated with or endorsed by those third parties. © 2017 Hayward Industries, Inc.

LITCSC611A17

