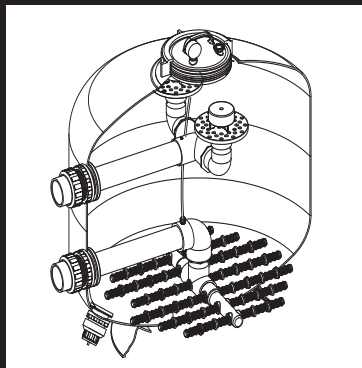


HCF Series

Commercial Sand Filters

Installation and Operation Manual



Contents

Safety Instructions.....	1
General.....	3
Installation.....	4
Operation.....	6
Replacement Parts.....	8
Warranty.....	10

HCF230C
HCF234C
HCF236C
HCF336C


Hayward Industries
400 Connell Drive, Suite 6100
Berkeley Heights, NJ 07922
Phone: (908) 355-7995
www.hayward.com





HAYWARD®

Important Safety Instructions

Basic safety precautions should always be followed, including the following: Failure to follow instructions may result in injury.


 This is the safety-alert symbol. When you see this symbol on your pump or in this manual, look for one of the following signal words, and be alert to the potential for personal injury.

 **WARNING** warns about hazard that could cause serious personal injury, death or major property damage and if ignored presents a potential hazard.

 **CAUTION** warns about hazards that will or can cause minor or moderate personal injury and/or property damage and if ignored presents a potential hazard. It can also make consumers aware of actions that are unpredictable and unsafe.


The NOTICE label indicated special instructions that are important but not related to hazards.




 **WARNING** – Read and follow all instructions in this owner's manual and on the equipment. Failure to follow instructions can cause severe injury and/ or death.

 **WARNING** – This product should be installed and serviced only by qualified professionals.

 **CAUTION** – All electrical wiring MUST be in conformance with all applicable local codes, regulations, and the National Electrical Code (NEC).

 **WARNING** – To reduce risk of injury, do not permit children to use or climb on this product. Closely supervise children at all times. Components such as the filtration system, pumps, and heaters must be positioned to prevent children from using them as a means of access to the pool.

 **WARNING** – Pool and spa components have a finite life. All components should be inspected frequently and replaced at least every seven years, or if found to be damaged, broken, cracked, missing, or not securely attached.

WARNING – Suction Entrapment Hazard. Suction in suction outlets and/ or suction outlet covers, which are damaged, broken, cracked, missing, or unsecured cause severe injury and/ or death due to the following entrapment hazards (symbols compliments of APSP):



Hair Entrapment – Hair can become entangled in suction outlet cover.

Limb Entrapment – A limb inserted into an opening of suction outlet sump or suction outlet cover that is damaged, broken, cracked, missing, or not securely attached can result in mechanical bind or swelling of the limb.



Body Suction Entrapment – A differential pressure applied to a large portion of the body or limbs can result in an entrapment.



Evisceration/ Disembowelment – A negative pressure applied directly to the intestines through an unprotected suction outlet sump or suction outlet cover which is damaged, broken, cracked, missing, or unsecured can result in evisceration/ disembowelment.



Mechanical Entrapment – There is potential for jewelry, swimsuits, hair decorations, fingers, toes, or knuckles to be caught in an opening of a suction outlet cover resulting in mechanical entrapment.





WARNING – To Reduce the Risk of Entrapment Hazards:


- When outlets are small enough to be blocked by a person, a minimum of two functioning suction outlets per pump must be installed. Suction outlets in the same plane (i.e. floor or wall), must be installed a minimum of three feet (3') (.91 meter) apart, as measured from near point to near point.
- Dual suction fittings shall be placed in such locations and distances to avoid "dual blockage" by a user.
- Dual suction fittings shall not be located on seating areas or on the backrest for such seating areas.
- The maximum system flow rate shall not exceed the values shown in the "Pipe Sizing Chart" found on page 7.
- Never use pool or spa if any suction outlet component is damaged, broken, cracked, missing, or not securely attached.
- Replace damaged, broken, cracked, or not securely attached suction outlet components immediately.
- In addition to two or more suction outlets per pump installed in accordance with latest APSP standards and CPSC guidelines, follow all national, state, and local codes applicable.
- Installation of a vacuum release or vent system, which relieves entrapping suction, is recommended.




HAYWARD®

 **WARNING – Hazardous Pressure.** Pool and spa water circulation systems operate under hazardous pressure during start-up, normal operation, and after pump shut-off. Stand clear of circulation system equipment during pump start-up. Failure to follow safety and operation instructions could cause property damage, severe personal injury, or death. Before servicing pool and spa water circulation system, all system and pump controls must be in off position and filter manual air relief valve must be in open position. Before starting system pump, all system valves must be set in a position to allow system water to return back to the pool. Do not change filter control valve position while system pump is running. Before starting system pump, fully open filter manual air relief valve. Do not close filter manual air relief valve until a steady stream of water (not air or air and water mix) is discharged from the valve. All suction and discharge valves **MUST** be OPEN when starting the circulation system. Failure to do so could result in severe personal injury and/ or damage.

 **WARNING – Separation Hazard.** Failure to follow safety and operation instructions could result in violent separation of pump components. Strainer cover must be properly secured to pump housing. Before servicing pool and spa circulation system, all system and pump controls must be in off position and filter manual air relief must be in open position. Do not operate pool and spa circulation system if a system component is not assembled properly, damaged, or missing. Do not operate pool and spa circulation system unless manway cover is in seated position in filter body. All suction and discharge valves **MUST** be OPEN when starting the circulation system. Failure to do so could result in severe personal injury and/ or property damage.

 **WARNING –** Never operate or test the circulation system at more than 50 PSI maximum.

WARNING – Failure to install according to defined instructions may result in severe personal injury or death.

 **WARNING – ELECTROCUTION HAZARD.** High voltage electricity is present in the pool and spa equipment. High voltage electricity can cause shock and electrocution. Shock and electrocution can result in severe personal injury or death.

- All electrical wiring **MUST** be in conformance with applicable local codes, regulations and the National Electrical Code (NEC).
- Before performing any service or maintenance on electrical equipment turn off all electrical power.
- Contact a licensed electrician or building inspector for information on local electrical codes for bonding requirements.
- Verify water discharge from the filter manual air relief valve is directed away from electrical devices.
- Do not locate pump controls over or near filter.

General

NOTICE – Standards for public and private pools vary by jurisdiction. It is the responsibility of the installer to be aware of these codes before designing, specifying or installing any piece of equipment for a swimming pool or spa.

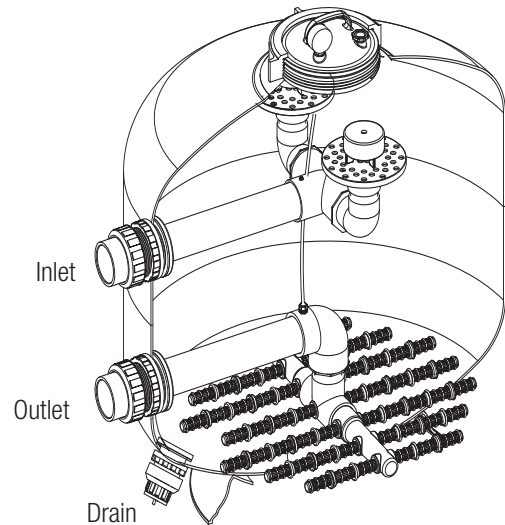
Swimming Pool Filters

Filters are, without a doubt, the most important accessory used in the treatment of swimming pool water. Their purpose is to eliminate suspended particles from the circulating water, thus clarifying the water. The principle operation consists of passing the swimming pool water through a bed of sand which will retain any particles that are suspended in the water.

It should be kept in mind that the filtration system consists of a number of elements, such as metering equipment, pumps, pool shell fittings and pipe work, which ensure the correct suction and return flows that will affect the resultant condition of the treated water.

The quality of filtration depends on various factors, the size and shape of the sand, the sand bed depth, characteristics of the sand such as granular size, density, etc. A most important parameter is the water filtration rate. Other factors affecting the selection of a filter are the materials used for its construction, the working temperature, and the operating pressure.

Hayward® filters are manufactured from proprietary resins and fiberglass, they are virtually corrosion-proof. The internal fittings (diffuser and lateral system) are manufactured from PVC and ABS. They are unaffected by salt water and are manufactured for a working pressure up to 50 PSI and a maximum working temperature of 104° F.



Filter Characteristics

Choose the filter or filters that meet the local turnover time requirements. Remember it is possible to add filters together to obtain the correct amount of filtration area required. Note: when using multiple filters, they must be plumbed in parallel configuration. It is also a good idea to oversize the surface area required by 10% or more, this will allow for better water quality. When possible, use more than one filter in conjunction, this will allow one filter to be serviced while one is still functioning.

When sizing the plumbing for a filtration package be sure to keep in mind that the velocity of the water in the pipes is very important. Each country or state may have different maximums for velocity in the plumbing. The recommendations of APSP-7 should be followed.

Installation Characteristics

To ensure selection of the correct pump size, the required flow must be obtained by taking the system head into consideration. The system head is the added difficulty to move water through the system presented by using, elbows, piping, tees, changes in elevation, etc.

It is also recommended that the discharge from each pump is brought together in a single manifold to the filters. This will allow for greater flow rates for the backwash cycle.

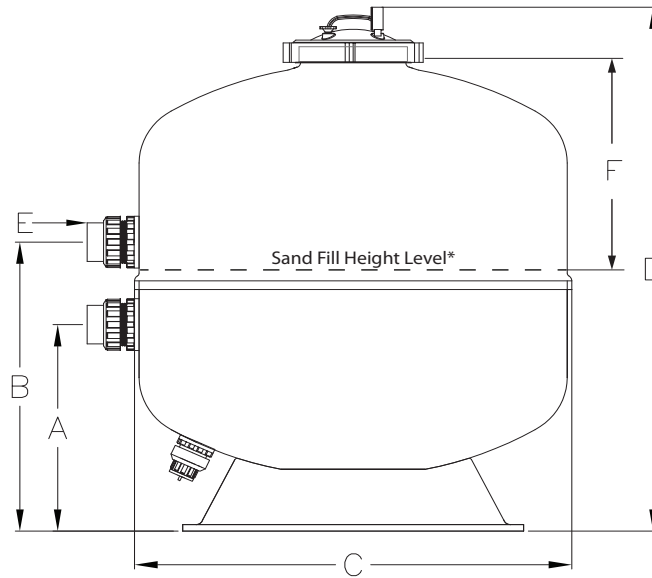
- Install a check valve ahead of filter inlet to prevent contaminants from draining back into the pool.
- Install a check valve between filter and heater to prevent hot water from backing up into filter and damaging internal components.
- Disposal of "waste water" must meet local, state and national codes.
- See Chart on page 4 for vertical and horizontal clearance.

Hayward Recommended Minimum Filter Piping

Filter Model	Port Size	Multi-Port Valve	Piping Kit
HCF230C	2"	HCV275C	w/ Valve
HCF234C	2"	HCV275C	w/ Valve
HCF236C	2.5"	HCV2575C	w/ Valve
HCF336C	3"	HCV375	w/ Valve



HAYWARD®



Filter Model Number	Dimensions (Inches)						Filter Area		Max Flow/ Backwash Rate		Filter Sand Qty* (Lbs)	Clearance (Inches)	
	A	B	C	D	E	F	Sq. Ft.	Sq. M	GPM	LPM		Vertical	Horizontal
HCF230C	16.25	23.75	31.49	42.60	2	13.5	4.90	.45	98	371	600	18	4
HCF234C	18.75	26.25	33.85	46.40	2	17.5	6.31	.59	126	476	750	18	4
HCF236C	18.75	26.25	37.40	47.60	2.5	20.5	7.05	.65	141	533	900	18	4
HCF336C	18.5	26.22	37.40	47.60	3	20.5	7.05	.65	141	533	900	18	4

*Fill height level (F) may vary depending on media size. Always fill with the required "Filter Sand Quantity" shown above.

Installation

⚠ WARNING – Read and follow all instructions.

⚠ WARNING – This product should be installed and serviced only by a qualified professional.

Note: Filters are supplied on pallet with accessories included. Due to their weight and size it is recommended that mechanical means be employed to move the filter into position. It is also very important to inspect the filters carefully before installing. Make note on the shipping paperwork if there is any damage to the packaging. FRP filters can be damaged during transportation and it is the responsibility of the installer to inspect at the time of delivery.

Damages to filters from transportation that are not noted on the bill of lading are not covered by Hayward's warranty policy and all costs to repair will be the responsibility of the owner.

Never put the sand into the filter until it is in its final working position and all prior steps are complete. The filter should be accessible for periodic maintenance or media change. It is absolutely necessary to leave a minimum access space around the filter(s), as defined above.



The equipment room should be well ventilated and provided with adequate drainage capabilities so that should an emergency occur, resulting in flooding from a pipe, filter or pump, the water can be easily removed to avoid property damage. If drainage cannot be supplied directly from the equipment room, consideration should be given to the installation of alternate system to remove water from the mechanical room, per federal, state and local codes.

Filter Installation

When moving the filter(s) into place, not use the manway cover or opening to maneuver the filter. Be sure to use care if moving by hand. Before continuing, be sure that the filter(s) are in the desired location with the connections facing the direction necessary for proper installation. It is also very important to make sure that the filter is sitting on a level, hard surface.

It is possible that during transportation, some internal components have loosened. It will be necessary to remove the filter manway cover and enter the filter, being careful not to break any of the connections. By hand, check the tightness of all the laterals in the bottom of the filter making sure they are firmly tightened. By hand, check the tightness of all the distributors in the top of the filter making sure they are firmly tightened.

Note that HCF336C models include a 3" ANSI pipe flange (not shown) and requires the use of appropriate ABS to PVC adhesive.

Tank Positioning

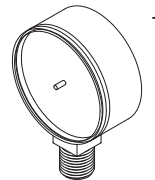
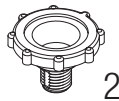
Chalk lines are recommended for multiple tank installations and should be laid for positioning each tank. Attention must be paid to the location and routing of the influent, effluent and waste line plumbing when planning the proper location of the filter system. The tanks must be level and parallel to each other or damage may occur to filter tanks, operating valves or connecting piping.

Installation of the Pressure Gauge

The pressure gauge assembly will come in a bag hanging from a diffuser within the filter. Remove all the parts from the bag and apply Teflon tape to all threaded connections. Thread the pressure gauge (1) and bleeder valve (2) into manway cover (not shown). Once the system is started, open bleeder valve (2) to bleed any air that might have been trapped in the filter during startup.

1 - Pressure Gauge

2 - Bleeder Valve



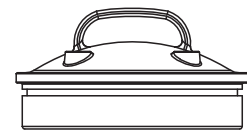
Removing the Manway Cover

WARNING This product should be installed and serviced only by a qualified pool professional. Your filter comes with a filter manway cover pre-installed from the factory. For qualified pool professionals only: If filter manway cover needs to be serviced, follow these instructions carefully.

1. Turn off all system circulation pumps and all electrical power in the equipment controls.
2. Set all system valves in a position to prevent water from flowing to the filter.
3. The manual air bleed valve (vent valve) must be placed in the OPEN position. Wait until all water leakage has stopped.
4. Remove the locking ring by turning it counter clockwise and store away.
5. Remove the polycarbonate manway cover and o-ring.

Re-installing the Manway Cover

1. Inspect the manway cover and o-ring, replace as needed.
2. With a clean cloth, wipe inside neck where o-ring seals manway seat. Remove all dirt and debris.
3. Seat the o-ring into the groove of the lid.
4. Use o-ring lube to lubricate the o-ring. (do not use any petroleum based lubes this will void warranty)
5. Place the lid in the opening of the filter neck and press down by hand until fully seated to the neck.
6. Re-install the lock ring by hand. Do not over-tighten.



Manway Cover Nut Tightening Sequence



HAYWARD®

Testing Filter

Before adding any sand to the filter, it is very important to test the system with water only. All filters are tested with high pressure before leaving the factory. It is important to test the system without sand first, to check for leaks. Open the air bleeder valve. Fill the system with water. When water, not water and air, is discharged from the air bleeder valve, close the air bleeder valve. Run system as normal and check for leaks. If there is a problem with the test, contact Hayward customer service immediately. If sand is added before the test and there is a problem with the filter, the sand will need to be evacuated in order to inspect for potential damage. Hayward will not be responsible for the removal and replacement of the sand for warranty or repair work, nor will Hayward provide labor to evacuate and replace the sand for repair work done due to transportation or installation damage. This is also a good chance to check all of the system plumbing. Do not drain the water from the filter after the testing sequence.

Installation of the Sand

After testing has been finished and the system is 100% operational, add the filtration sand required. Use #20 silica sand (.45 - .55 mm). Open the vent valve, remove the manway cover and seal from the filter (page 5). Ensure the filter is full of water up to the inlet port. The proper amount of sand is listed in on page 4. If a diffuser head is directly underneath the manway opening, cover it with plastic and tape to prevent sand from entering the plumbing.

Notice - Remove any plastic and tape from the diffuser after the sand is poured in the filter and before starting the system.

Now, replace the lid and lock ring cover and seal into the filter tank (page 5). Be sure that the lid and filter neck is free of debris. If the sealing surfaces are not free of sand, the seal will not seat properly and could cause the filter to leak at the lid. Use the air bleeder valve to remove air from the filter. Put the filter valves into the backwash mode, turn the pump ON, (see next section) and run for about 3 to 5 minutes. This will level the sand inside the filter. Turn pump OFF, put the valves into filter position and the system is ready for operation.

Operation

Filtration

Note: Hayward Commercial offers a complete line of valves and connection kits for the Hayward line of Commercial Pool Filters.

Refer to the table on the bottom of page 3 to ensure that the correct valve is used for your filter.

With the pump turned OFF, arrange the valve(s) for filtration. Start pump, open air relief vent valve until solid stream of water is coming out. Close the vent valve and read the pressure gauge. This is the normal start up pressure when the filter sand is clean. Make a note of the start up pressure.

When the pressure gauge shows a pressure rise of 7 to 10 psi above the start up pressure, it is time to backwash the filter.

Backwash

NOTICE – Check the water level in the skimmer opening before and after backwashing. Replace water after backwashing to at least 2 inches above the bottom of the skimmer opening.

To backwash the filter, stop the pump, set the valve(s) into the “Backwash” position and restart the pump. The backwash cycle should be run for 3 to 5 minutes or until clean. Once backwash is complete, turn pump off and set valve(s) to the “Filter” position and start pump.

Pressure Surge Hazard- Failure to turn off filter pump before changing valve position can result in personal injury or property damage. It is very important to turn off the filter pump(s) prior to changing valve(s) position.



Changing of the Sand

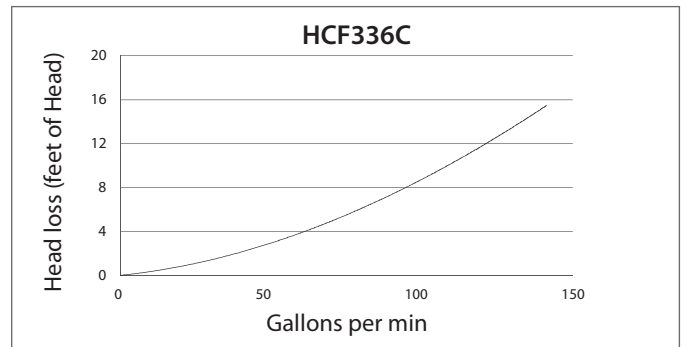
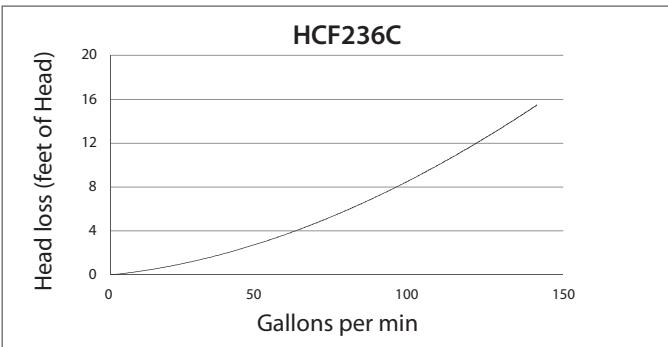
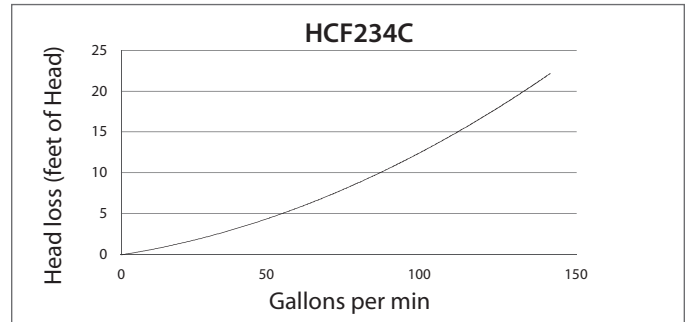
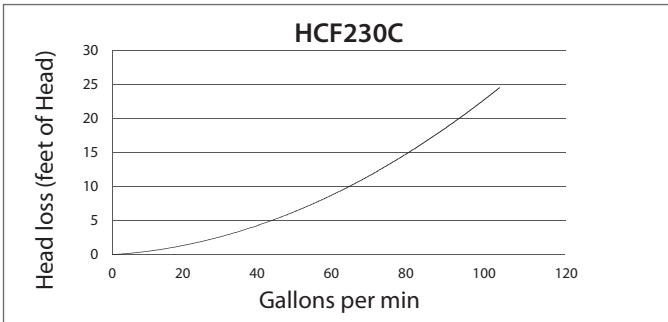
The procedure for changing the filter sand is as follows:

1. **WARNING** - Turn pump(s) OFF. Open vent valve. Close necessary valves to isolate filter.
2. Remove manway cover and seal from filter (page 5). Open drain port to drain the water from the filter.
3. Using a shop vacuum or a small bucket remove the sand.
4. Using a hose, spray the sand to loosen if necessary.
5. Clean remaining sand from the walls as best as possible with a hose and vacuum.
6. Add the new sand as required in the table on page 4.
7. Replace the manway cover and seal.

Winterizing

Where freezing can occur, be certain to drain the water from the filter tank prior to freezing conditions.

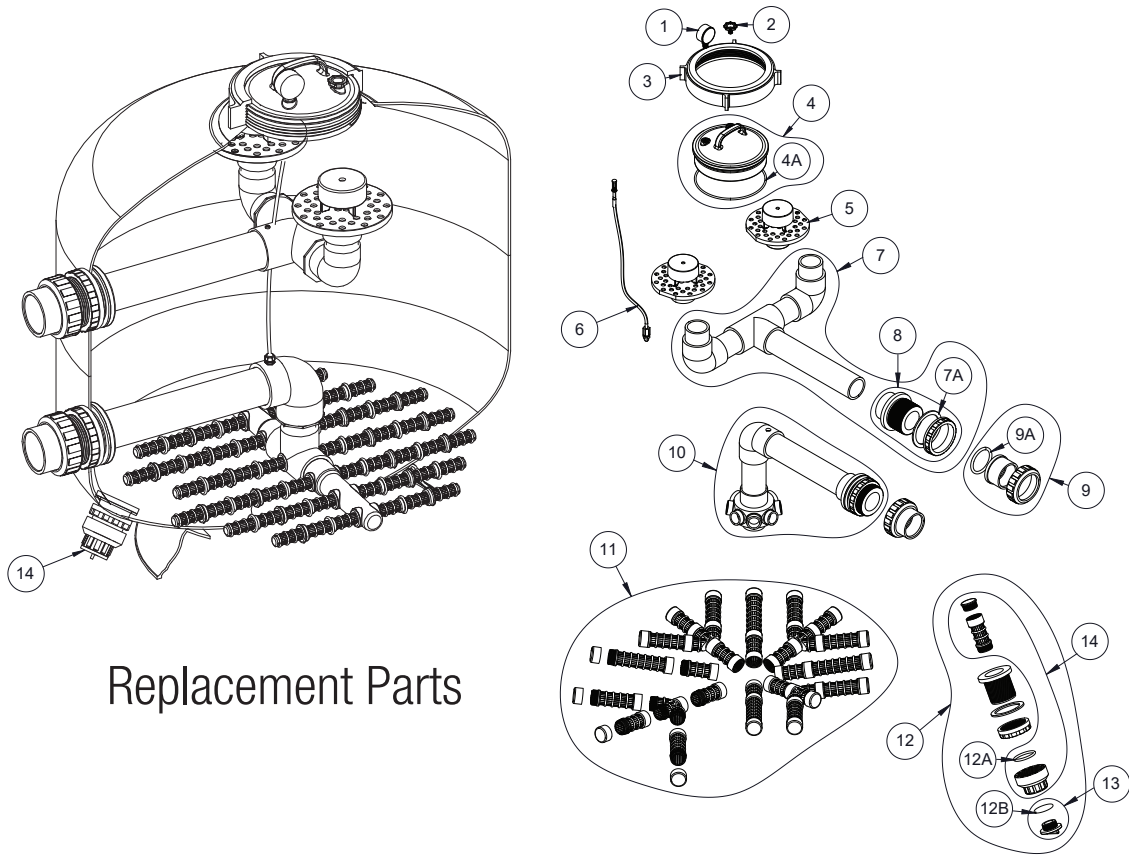
Head Loss



Acceptable Pipe Size for Maximum Recommended System Flow Rates			
Pipe Size	Flow Rate in gpm & (lpm)	Pipe Size	Flow Rate in gpm & (lpm)
2" (63mm)	90 gpm (340 lpm)	4" (100mm)	350 gpm (1325 lpm)
3" (90mm)	200 gpm (757 lpm)	6" (150mm)	800 gpm (3028 lpm)



HAYWARD®



Replacement Parts

HCF230C

ITEM#	Hayward PN's	DESCRIPTION	QTY.
1	HCXFWPG001	Pressure Gauge 0-60 Psi	1
2	HCXFWARV002	Air Relief Valve & O-Ring Kit	1
3	HCXFWLR003	Top Lid Locking Ring	1
4	HCXFWLIDKIT004	8" Clear Lid & O-Ring Kit	1
4A	HCXFWLOR004A	8" Clear Lid O-Ring	1
5	HCXFDIF005	2" Diffusor Hydrodome	2
6	HCXFWTKIT006	Vent Tube Kit	1
7	HCXFW2DIS007	HCF230C 2" Distributor Assy	1
7A	HCXFW2BHG007A	2" Bulkhead Gasket (2 Pack)	2
8	HCXFW2BHK008	2" Bulkhead Kit	2
9	HCXFW2UNAD009	2" Union Half Adapter	2
9A	HCXFW2UNAOR009A	2" Union O-Ring (2 Pack)	2
10	HCXFW2COL010	HCF230C 2" Collector Assy	1
11	HCXFWLATKIT011	HCF230C Lateral Kit	1
12	HCXFWDPA012	1.5" Drain Port Assy	1
12A	HCXFWDPOR012A	Media Drain Cap O-Ring	1
12B	HCXFWDPOR012B	Water Drain Plug O-Ring	1
13	HCXFWDPCKIT013	Water Drain Plug & O-Ring Kit	1
14	HCXFWDPCKIT014	Media Drain Cap & O-Ring Kit	1



HAYWARD®

HCF234C

ITEM#	Hayward PN's	DESCRIPTION	QTY.
1	HCXFWP001	Pressure Gauge 0-60 Psi	1
2	HCXFWARV002	Air Relief Valve & O-Ring Kit	1
3	HCXFWLR003	Top Lid Locking Ring	1
4	HCXFWLIDKIT004	8" Clear Lid & O-Ring Kit	1
4A	HCXFWLOR004A	8" Clear Lid O-Ring	1
5	HCXFDIF005	2" Diffusor Hydrodome	2
6	HCXFWVTKIT006	Vent Tube Kit	1
7	HCXFW2DIS107	HCF234C 2" Distributor Assy	1
7A	HCXFW2BHG007A	2" Bulkhead Gasket (2 Pack)	2
8	HCXFW2BHK008	2" Bulkhead Kit	2
9	HCXFW2UNAD009	2" Union Half Adapter	2
9A	HCXFW2UNAOR009A	2" Union O-Ring (2 Pack)	2
10	HCXFW2COL110	HCF234C 2" Collector Assy	1
11	HCXFWLATKIT111	HCF234C Lateral Kit	1
12	HCXFWPA012	1.5" Drain Port Assy	1
12A	HCXFWDPOR012A	Media Drain Cap O-Ring	1
12B	HCXFWDPOR012B	Water Drain Plug O-Ring	1
13	HCXFWDPCKIT013	Water Drain Plug & O-Ring Kit	1
14	HCXFWDPCKIT014	Media Drain Cap & O-Ring Kit	1

HCF236C

ITEM#	Hayward PN's	DESCRIPTION	QTY.
1	HCXFWP001	Pressure Gauge 0-60 Psi	1
2	HCXFWARV002	Air Relief Valve & O-Ring Kit	1
3	HCXFWLR003	Top Lid Locking Ring	1
4	HCXFWLIDKIT004	8" Clear Lid & O-Ring Kit	1
4A	HCXFWLOR004A	8" Clear Lid O-Ring	1
5	HCXFDIF005	2" Diffusor Hydrodome	2
6	HCXFWVTKIT006	Vent Tube Kit	1
7	HCXFW2DIS207	HCF236C 2.5" Distributor Assy	1
7A	HCXFW2BHG207A	2.5" Bulkhead Gasket (2 Pack)	2
8	HCXFW2BHK208	2.5" Bulkhead Kit	2
9	HCXFW2UNAD209	2.5" Union Half Adapter	2
9A	HCXFW2UNAOR209A	2.5" Union O-Ring (2-Pack)	2
10	HCXFW2COL210	HCF236C 2.5" Collector Assy	1
11	HCXFWLATKIT211	HCF236C Lateral Kit	1
12	HCXFWPA012	1.5" Drain Port Assy	1
12A	HCXFWDPOR012A	Media Drain Cap O-Ring	1
12B	HCXFWDPOR012B	Water Drain Plug O-Ring	1
13	HCXFWDPCKIT013	Water Drain Plug & O-Ring Kit	1
14	HCXFWDPCKIT014	Media Drain Cap & O-Ring Kit	1



HCF336C

ITEM#	Hayward PN's	DESCRIPTION	QTY.
1	HCXFWPG001	Pressure Gauge 0-60 Psi	1
2	HCXFWARV002	Air Relief Valve & O-Ring Kit	1
3	HCXFWLR003	Top Lid Locking Ring	1
4	HCXFWLIDKIT004	8" Clear Lid & O-Ring Kit	1
4A	HCXFWLOR004A	8" Clear Lid O-Ring	1
5	HCXFDIF005	2" Diffusor Hydrodome	2
6	HCXFWVTKIT006	Vent Tube Kit	1
7	HCXFW2DIS307	HCF336C 3" Distributor Assy	1
7A	HCXFW2BHG307A	3" Bulkhead Gasket (2 Pack)	2
8	HCXFW2BHK308	3" Bulkhead Kit	2
9	HCXFW2UNAD309	3" Union Half Adapter	2
9A	HCXFW2UNAOR309A	3" Union O-Ring (2-Pack)	2
10	HCXFW2COL310	HCF336C 3" Collector Assy	1
11	HCXFWLATKIT311	HCF336C Lateral Kit	1
12	HCXFWDPA012	1.5" Drain Port Assy	1
12A	HCXFWDPOR012A	Media Drain Cap O-Ring	1
12B	HCXFWDPOR012B	Water Drain Plug O-Ring	1
13	HCXFWDPCKIT013	Water Drain Plug & O-Ring Kit	1
14	HCXFWDPCKIT014	Media Drain Cap & O-Ring Kit	1

Warranty

Hayward® Limited Warranty

To buyer, as original purchaser of this equipment, Hayward Pool Products, 400 Connell Drive, Suite 6100, Berkeley Heights, NJ 07922 warrants its products free from defects in materials and workmanship for a period of FIVE (5) years from the date of purchase.

Parts which fail or become defective during the warranty period, except as a result of freezing, negligence, improper installation, use, or care, shall be repaired or replaced, at our option, without charge, within 90 days of the receipt of defective product, barring unforeseen delays.

To obtain warranty replacements or repair, defective components or parts should be returned, transportation paid, to the place of purchase, or to the nearest authorized Hayward service center. For further Hayward dealer or service center information, contact Hayward customer service department, or visit our website at www.hayward-commercialpool.com for an authorized service center near you. No returns may be made directly to the factory without the express written authorization of Hayward Pool Products.

Hayward shall not be responsible for cartage, removal and/ or reinstallation labor or any other such costs incurred in obtaining warranty replacements.

Some states do not allow a limitation on how long an implied warranty lasts, or the exclusion or limitation of incidental or consequential damages, so the above limitation or exclusion may not apply to you.

This warranty gives you specific legal rights, and you may also have other rights, which vary from state to state.

Hayward Pool Products, 400 Connell Drive, Suite 6100, Berkeley Heights, NJ 07922

*Supersedes all previous publications

FOR FURTHER INFORMATION OR CONSUMER
TECHNICAL SUPPORT, VISIT OUR WEBSITE AT
www.hayward.com



Hayward is a registered trademark of Hayward Industries, Inc. © 2023 Hayward Industries, Inc.

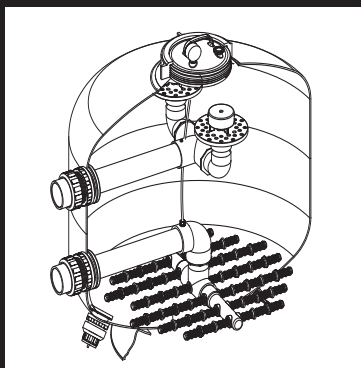
All other trademarks not owned by Hayward are the property of their respective owners. Hayward is not in any way affiliated with or endorsed by those third parties. For patent information, refer to www.hayward.com/patents.



Série HCF

Filtres à sable commerciaux

Manuel d'installation et d'utilisation



Sommaire

Consignes de sécurité.....	1
Général.....	3
Installation.....	4
Opération.....	6
Piècesderechange.....	8
Garantie.....	10

HCF230C
HCF234C
HCF236C
HCF336C

Hayward Industries
400 Connell Drive, Suite 6100
Berkeley Heights, NJ 07922
Phone: (908) 355-7995
www.hayward.com



HAYWARD®

CONSIGNES IMPORTANTES DE SÉCURITÉ

Les précautions de sécurité de base doivent toujours être respectées, notamment les suivantes : Le non-respect des consignes peut entraîner des blessures.



Ceci est le symbole d'alerte de sécurité. Lorsque vous voyez ce symbole sur votre pompe ou dans ce manuel, recherchez l'un des mots-indicateurs suivants et soyez attentif au risque de blessure.



AVERTISSEMENT met en garde contre un danger qui pourrait causer des blessures graves, la mort ou des dommages matériels importants et qui, s'il est ignoré, présente un risque potentiel.



ATTENTION met en garde contre les dangers qui causeront ou peuvent causer des blessures mineures ou modérées et/ou des dommages matériels et qui, s'ils sont ignorés, présentent un risque potentiel. Il peut également sensibiliser les utilisateurs à des actes imprévisibles et dangereux.

L'étiquette AVIS indique les consignes spéciales qui sont importantes mais qui ne sont pas liées aux dangers.



AVERTISSEMENT – Lisez et suivez toutes les consignes figurant dans ce manuel du propriétaire et sur l'équipement. Le non-respect des consignes peut entraîner des blessures graves et/ou la mort.



AVERTISSEMENT – Ce produit doit être installé et réparé uniquement par un professionnel qualifié.



ATTENTION – Tout le câblage électrique DOIT se conformer à tous les codes et règlements locaux applicables et au Code national de l'électricité (CNE).



AVERTISSEMENT – Pour réduire les risques de blessures, ne laissez pas les enfants utiliser ce produit ou grimper dessus. Surveillez les enfants de près en permanence. Les composants tels que le système de filtration, les pompes et les réchauffeurs doivent être positionnés de manière à ce que les enfants ne puissent pas les utiliser comme moyen d'accès à la piscine.



AVERTISSEMENT – Les composants des piscines et des spas ont une durée de vie limitée. Tous les composants doivent être fréquemment inspectés et remplacés au moins tous les sept ans, ou en cas de détérioration, de panne, de fissure, de perte ou de défaut de fixation.

AVERTISSEMENT – Risque de piégeage par aspiration. Les sorties d'aspiration et/ou les couvercles de sortie d'aspiration, qui sont endommagés, cassés, fissurés, manquants ou non fixés, peuvent causer des blessures graves et/ou la mort en raison des risques de piégeage suivants (symboles utilisés par l'APSP) :



Piégeage des cheveux – Les cheveux peuvent s'emmêler dans le couvercle de la sortie d'aspiration.



Piégeage des membres – Un membre coincé dans l'ouverture d'un puisard de sortie d'aspiration ou d'un couvercle de sortie d'aspiration qui est endommagé, cassé, fissuré, manquant ou mal fixé peut engendrer une enflure ou un piégeage mécanique du membre.



Piégeage par aspiration du corps – Une pression négative appliquée sur une grande partie du corps ou des membres peut entraîner un piégeage.




Éviscération/Éventration – Une pression négative directement appliquée aux intestins à travers un puisard de sortie d'aspiration non protégé ou un couvercle de sortie d'aspiration endommagé, cassé, fissuré, manquant ou non fixé peut entraîner l'éviscération ou l'éventration.


Piégeage mécanique – Il est possible que des bijoux, des maillots de bain, des accessoires pour cheveux, des doigts, des orteils ou des articulations soient coincés dans l'ouverture d'un couvercle de sortie d'aspiration, entraînant un piégeage mécanique.



AVERTISSEMENT – Afin de réduire les risques de piégeage :

- Lorsque les sorties sont suffisamment petites pour être bloquées par une personne, il faut installer au moins deux sorties d'aspiration fonctionnant par pompe. Les sorties d'aspiration situées sur le même plan (c'est-à-dire le sol ou le mur) doivent être installées à une distance minimale de 0,91 mètre (3 pi), mesurée d'un point proche à l'autre.
- Les raccords à double aspiration doivent être placés à des emplacements et à des distances permettant d'éviter un « double blocage » par un utilisateur.
- Les raccords à double aspiration ne doivent pas être installés sur les sièges ou sur le dossier de ces sièges.
- Le débit maximal du système ne doit pas dépasser les valeurs indiquées dans le « Tableau de dimensionnement des tuyauteries » de la page 7.
- N'utilisez jamais la piscine ou le spa si un composant de la sortie d'aspiration est endommagé, cassé, fissuré, manquant ou mal fixé.
- Remplacez immédiatement les composants de la sortie d'aspiration endommagés, cassés, fissurés, manquants ou mal fixés.
- En plus de deux sorties d'aspiration ou plus par pompe installées conformément aux dernières normes anciennement APSP et aux directives de la CPSC, respectez tous les codes nationaux, régionaux et locaux applicables.
- Il est recommandé d'installer un système de brise-vide ou de ventilation qui libère l'aspiration.

 **AVERTISSEMENT – Pression dangereuse.** Les systèmes de circulation d'eau des piscines et des spas fonctionnent sous une pression dangereuse pendant le démarrage, le fonctionnement normal et après l'arrêt de la pompe. Tenez-vous à l'écart des équipements du système de circulation pendant le démarrage de la pompe. Le non-respect des consignes de sécurité et d'utilisation peut engendrer des dommages matériels, des blessures graves ou la mort. Avant de procéder à l'entretien du système de circulation d'eau de la piscine et du spa, toutes les commandes du système et de la pompe doivent être en position d'arrêt et la vanne de décharge d'air manuelle du filtre doit être en position ouverte. Avant de démarrer la pompe du système, toutes les vannes du système doivent être réglées dans une position permettant à l'eau du système de retourner dans la piscine. Ne changez pas la position de la vanne de contrôle du filtre alors que la pompe du système est en marche. Avant de faire démarrer la pompe du système, ouvrez complètement la vanne de décharge d'air manuelle du filtre. Ne fermez pas la vanne de décharge d'air manuelle du filtre avant qu'un jet d'eau régulier (et non de l'air ou un mélange d'air et d'eau) ne soit déchargé de la vanne. Toutes les vannes de décharge et d'aspiration DOIVENT être OUVERTES lors du démarrage du système de circulation. Le non-respect de cette consigne peut entraîner des blessures graves et/ou des dommages matériels.

 **AVERTISSEMENT – Danger de séparation.** Le non-respect des consignes de sécurité et d'utilisation peut entraîner une séparation violente des composants de la pompe. Le couvercle de la crépine doit être correctement fixé au boîtier de la pompe. Avant de procéder à l'entretien du système de circulation d'eau de la piscine et du spa, toutes les commandes du système et de la pompe doivent être en position d'arrêt et la vanne de décharge d'air manuelle du filtre doit être en position ouverte. Ne faites pas fonctionner le système de circulation de la piscine et du spa si un composant du système n'est pas assemblé correctement, s'il est endommagé ou manquant. Ne faites pas fonctionner le système de circulation de la piscine et du spa si le couvercle du trou d'homme n'est pas en position assise dans le corps du filtre. Toutes les vannes de décharge et d'aspiration DOIVENT être OUVERTES lors du démarrage du système de circulation. Le non-respect de cette consigne peut entraîner des blessures graves et/ou des dommages matériels.

 **AVERTISSEMENT –** Ne faites jamais fonctionner ou ne faites jamais tester le système de circulation à plus de 50 psi maximum.

AVERTISSEMENT – Le non-respect des instructions d'installation définies peut entraîner des blessures graves, voire la mort.

 **AVERTISSEMENT – RISQUE D'ÉLECTROCUTION.** Les équipements de la piscine et du spa sont soumis à une haute tension électrique. L'électricité à haute tension peut provoquer des chocs et des électrocutions. Les chocs et l'électrocution peuvent entraîner des blessures graves ou la mort.

- Tout le câblage électrique DOIT se conformer à tous les codes et règlements locaux applicables et au Code national de l'électricité (CNE).
- Avant tout entretien ou maintenance de l'équipement électrique, coupez toute alimentation électrique.
- Contactez un électricien agréé ou un inspecteur du bâtiment pour obtenir des informations sur les codes électriques locaux concernant les exigences de raccordement.
- Vérifiez que l'évacuation d'eau de la vanne de décharge d'air manuelle du filtre est dirigée loin des appareils électriques.
- Ne placez pas les commandes de la pompe au-dessus du filtre ni à proximité.

Général

AVIS – Les normes relatives aux piscines publiques et privées varient selon la juridiction. Il est de la responsabilité de l'installateur de connaître ces codes avant de concevoir, de spécifier ou d'installer toute pièce d'équipement pour une piscine.

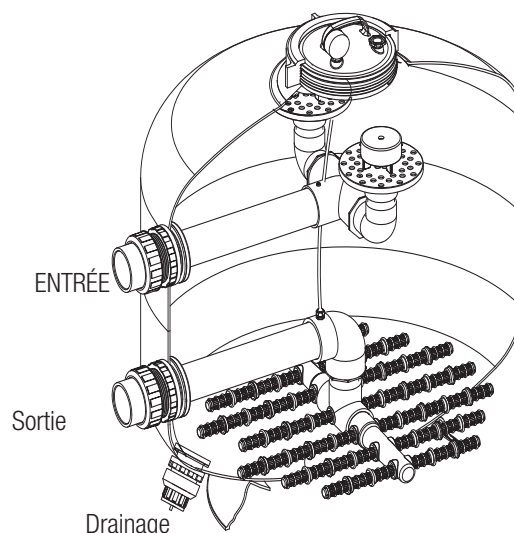
Filtres pour piscines

Les filtres sont, sans aucun doute, l'accessoire le plus important utilisé dans le traitement de l'eau des piscines. Leur rôle est d'éliminer les particules en suspension dans l'eau qui circule pour la clarifier. Le principe de fonctionnement consiste à faire passer l'eau de la piscine à travers un lit de sable qui va retenir les particules en suspension dans l'eau.

Il faut savoir que le système de filtration se compose d'un certain nombre d'éléments, tels que l'équipement de mesure, les pompes, les raccords de coque de piscine et la tuyauterie, qui assurent les flux d'aspiration et de retour corrects qui affecteront la qualité résultante de l'eau traitée.

La qualité de la filtration dépend de différents facteurs, la taille et la forme du sable, la profondeur du lit de sable, les caractéristiques du sable telles que la taille des grains, leur densité, etc. Le paramètre le plus important reste le taux de filtration de l'eau. Les matériaux utilisés pour la construction du filtre, sa température et sa pression de fonctionnement sont d'autres facteurs qui interviennent dans le choix du filtre.

Les filtres Hayward^{MD} sont fabriqués à partir de résines exclusives et de fibres de verre, ils sont pratiquement résistants à la corrosion. Les équipements internes (diffuseur et système latéral) sont fabriqués en PVC et en ABS. Ils ne sont pas affectés par l'eau salée et sont fabriqués pour une pression de travail pouvant atteindre 50 psi et une température de travail maximale de 104 °F.



Caractéristiques du filtre

Choisissez le ou les filtres qui répondent aux exigences locales en matière de temps de rotation. Sachez qu'il est possible de rajouter des filtres pour obtenir la surface de filtration requise. Remarque : lorsque vous utilisez plusieurs filtres, ils doivent être raccordés en parallèle. Il est également judicieux de surdimensionner la surface requise de 10 % ou plus, ce qui permettra d'obtenir une meilleure qualité de l'eau. Si possible, utilisez plus d'un filtre en même temps, ce qui permet de garder un filtre en fonctionnement lorsque l'autre est en cours d'entretien.

Lorsque vous dimensionnez la plomberie d'un système de filtration, n'oubliez pas que la vitesse de l'eau dans les tuyaux est très importante. Chaque pays ou état peut avoir des valeurs maximales différentes pour la vitesse dans la plomberie. Les recommandations de l'APSP-7 doivent être respectées.

Caractéristiques de l'installation

Pour garantir le bon choix de la taille de la pompe, le débit requis est obtenu en fonction de la hauteur de charge du système. La hauteur de charge du système constitue une difficulté supplémentaire pour faire circuler l'eau à travers le système en raison de l'utilisation de coudes, de tuyaux, de tés, de changements d'altitude, etc.

Il est également recommandé de rassembler la décharge de chaque pompe dans un seul collecteur vers les filtres. Ceci permettra d'obtenir des débits plus importants pour le cycle de lavage à contre-courant.

- Installez une vanne de retenue en amont de l'entrée du filtre pour empêcher les contaminants de retourner dans la piscine.
- Installez une vanne de retenue entre le filtre et le réchauffeur pour éviter que l'eau chaude ne remonte dans le filtre et n'endommage les composants internes.
- L'élimination des « eaux usées » doit être conforme aux codes locaux, régionaux et nationaux.
- Voir le graphique de la page 4 pour le dégagement vertical et horizontal.

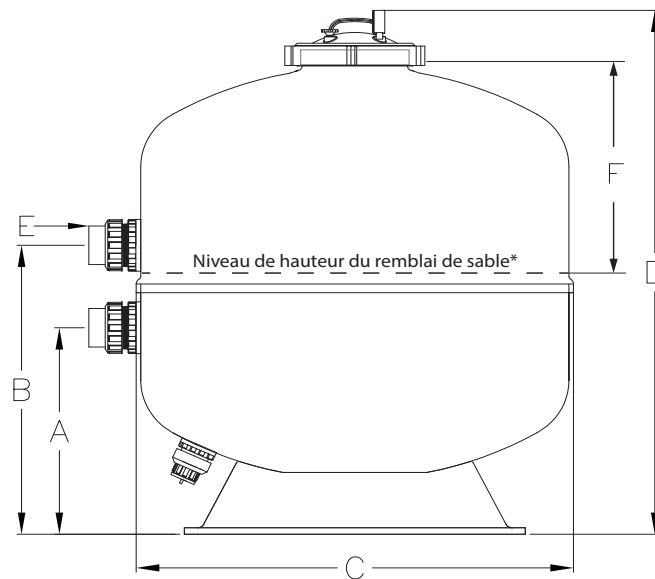
Tuyauterie minimale recommandée par Hayward pour les filtres

Modèle de filtre	Taille de l'orifice	Vanne multivoies	Kit de tuyauterie
HCF230C	2 po	HCV275C	avec vanne
HCF234C	2 po	HCV275C	avec vanne



HAYWARD®

HCF236C	2,5 po	HCV2575C	avec vanne
HCF336C	3 po	HCV375	avec vanne



Filtre Modèle Numéro	Dimensions (pouces)						Zone de filtrage		Débit maximal/ Lavage à contre-courant Taux		Filtre Sable Qté* (lb)	Dégagement (pouces)	
	A	B	C	D	E	F	Pied carrés	M ²	GPM	LPM		Vertical	Horizontal
HCF230C	16,25	23,75	31,49	42,60	2	13,5	4,90	0,45	98	371	600	18	4
HCF234C	18,75	26,25	33,85	46,40	2	17,5	6,31	0,59	126	476	750	18	4
HCF236C	18,75	26,25	37,40	47,60	2,5	20,5	7,05	0,65	141	533	900	18	4
HCF336C	18,5	26,22	37,40	47,60	3	20,5	7,05	0,65	141	533	900	18	4

* Le niveau de hauteur du remplissage (F) peut varier en fonction de la taille du fluide. Remplissez toujours la « quantité de sable filtrant » requise indiquée ci-dessus.

Installation

⚠ AVERTISSEMENT – Lire et suivre toutes les consignes.

⚠ AVERTISSEMENT – Ce produit doit être installé et réparé uniquement par un professionnel qualifié.

Remarque : Les filtres sont fournis sur une palette avec les accessoires inclus. En raison de leur poids et de leur taille, il est recommandé d'utiliser des moyens mécaniques pour mettre les filtres en place. Il est également très important d'inspecter soigneusement les filtres avant de les installer. En cas d'endommagement de l'emballage, notez-le sur les documents d'expédition. Les filtres en PRF peuvent être endommagés pendant le transport et il incombe à l'installateur de les inspecter au moment de la livraison.

Les dommages causés aux filtres par le transport et qui ne sont pas notés sur le connaissance ne sont pas couverts par la politique de garantie de Hayward et tous les coûts de réparation seront à la charge du propriétaire.

Ne mettez jamais le sable dans le filtre avant qu'il ne soit dans sa position opérationnelle finale et que toutes les étapes préalables soient terminées. Le filtre doit être accessible pour un entretien périodique ou le remplacement du fluide. Il est absolument nécessaire de laisser un espace d'accès minimum autour du ou des filtres, comme défini ci-dessus.

Le local technique doit être bien ventilé et doté des capacités de drainage adéquates, de sorte qu'en cas d'urgence entraînant l'inondation d'un tuyau, d'un filtre ou d'une pompe, l'eau puisse être facilement évacuée pour éviter les dommages matériels. Si le drainage ne peut pas être fourni directement à partir du local technique, il faut envisager l'installation d'un système alternatif pour évacuer l'eau du local technique, conformément aux codes fédéraux, étatiques et locaux.

Installation du filtre

Lorsque vous mettez le filtre en place, n'utilisez pas le couvercle ou l'ouverture du trou d'homme pour manœuvrer le filtre. Veillez à faire preuve de prudence si vous effectuez le déplacement manuellement. Avant de poursuivre, assurez-vous que le ou les filtres se trouvent à l'emplacement souhaité, avec les raccords orientés dans le sens nécessaire à une installation correcte. Il est également très important de s'assurer que le filtre repose sur une surface plane et dure.

Il est possible qu'au cours du transport, certains composants internes se soient desserrés. Il sera nécessaire de retirer le couvercle du trou d'homme du filtre et de pénétrer dans le filtre, en faisant attention de ne pas casser les raccords. Vérifiez manuellement le serrage de tous les latéraux situés au fond du filtre en vous assurant qu'ils sont bien serrés. Vérifiez manuellement le serrage de tous les latéraux situés au fond du filtre en vous assurant qu'ils sont bien serrés.

Notez que les modèles HCF336C comprennent une bride de tuyau ANSI de 3 po (non illustrée) et nécessitent l'utilisation d'un adhésif ABS-PVC approprié.

Positionnement des réservoirs

Les lignes de craie sont recommandées pour les installations à réservoirs multiples et doivent être tracées pour le positionnement de chaque réservoir. Il faut tenir compte de l'emplacement et de l'acheminement de la tuyauterie de l'influent, de l'effluent et de la canalisation d'évacuation lors de la planification de l'emplacement approprié du système de filtration. Les réservoirs doivent être à niveau et parallèles l'un à l'autre, sous peine d'endommager les réservoirs de filtration, les vannes de fonctionnement ou les tuyauteries de raccordement.

Installation du manomètre

L'ensemble du manomètre est livré dans un sac suspendu à un diffuseur à l'intérieur du filtre. Retirez toutes les pièces du sac et appliquez du ruban téflon sur tous les raccords filetés. Vissez le manomètre (1) et la vanne de purge (2) à l'intérieur du couvercle du trou d'homme (non illustré). Une fois le système démarré, ouvrez la vanne de purge (2) pour purger l'air qui aurait pu être piégé dans le filtre pendant le démarrage.

1 – Manomètre

2 – Vanne de purge



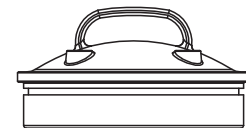
Retrait du couvercle du trou d'homme

AVERTISSEMENT Ce produit doit être installé et réparé uniquement par un professionnel qualifié. Votre filtre est livré avec un couvercle de trou d'homme pré-installé en usine. Réservez aux professionnels qualifiés de la piscine : Si le couvercle du trou d'homme du filtre doit être réparé, suivez attentivement ces consignes.

1. Arrêtez toutes les pompes de circulation du système et toute alimentation électrique dans les commandes de l'équipement.
2. Placez toutes les vannes du système dans une position qui empêche l'eau de s'écouler vers le filtre.
3. La vanne de purge d'air manuelle (vanne de ventilation) doit être placée en position OUVERTE. Attendez que toutes les fuites d'eau aient cessé.
4. Retirez la bague de verrouillage en la faisant tourner dans le sens inverse des aiguilles d'une montre et rangez-la.
5. Retirez le couvercle du trou d'homme en polycarbonate et le joint torique.

Réinstallation du couvercle du trou d'homme

1. Inspectez le couvercle du trou d'homme et le joint torique, remplacez-les si nécessaire.
2. Avec un chiffon propre, essuyez l'intérieur du col où le joint torique assure l'étanchéité du siège du trou d'homme. Enlevez toutes les saletés et les débris.
3. Placez le joint torique dans la rainure du couvercle.
4. Utilisez du lubrifiant pour joint torique pour le lubrifier (n'utilisez jamais de lubrifiants à base de pétrole, ce qui annulerait la garantie).
5. Placez le couvercle dans l'ouverture du col du filtre et appuyez à la main jusqu'à ce qu'il soit bien fixé au col.
6. Ré-installez manuellement la bague de verrouillage. Ne serrez pas trop.



Séquence de serrage de l'écrou du couvercle du trou d'homme

Test du filtre

Avant d'ajouter du sable au filtre, il est très important de tester le système uniquement avec de l'eau. Tous les filtres sont testés à haute pression avant de quitter l'usine. Il est important de tester d'abord le système sans sable, pour vérifier l'absence de fuites. Ouvrez la vanne de purge d'air. Remplissez le système d'eau. Lorsque le flux d'eau, et non l'eau et l'air, est déchargé par la vanne de ventilation, fermez la vanne de purge d'air. Faites fonctionner le système normalement et vérifiez l'absence de fuites. En cas de problème avec le test, contactez immédiatement le service clientèle de Hayward. Si du sable est ajouté avant le test et qu'il y a un problème avec le filtre, le sable devra être évacué afin d'inspecter les dommages potentiels. Hayward ne sera pas responsable de l'évacuation et du remplacement du sable pour les travaux de garantie ou de réparation, et ne fournira pas non plus la main d'œuvre pour évacuer et remplacer le sable pour les travaux de réparation effectués en raison de dommages liés au transport ou à l'installation. C'est aussi une bonne occasion de vérifier toute la tuyauterie du système. N'évacuez pas l'eau du filtre après la séquence de test.

Installation du sable

Une fois les tests terminés et le système 100 % opérationnel, ajoutez le sable et le gravier de filtration nécessaires. Utilisez du sable de silice n° 20 (0,45 à 0,55 mm). Ouvrez la vanne de ventilation, retirez le couvercle du trou d'homme et le joint du filtre (page 5). Assurez-vous que le filtre est rempli d'eau jusqu'à l'orifice d'admission. La quantité appropriée de sable et de gravier est indiquée dans le tableau de la page 4. Si une tête de diffusion se trouve directement sous l'ouverture du trou d'homme, recouvrez-la de plastique et de ruban adhésif pour empêcher le fluide de pénétrer dans la tuyauterie.

Remarque – Retirez tout plastique et ruban adhésif du diffuseur après avoir versé le sable dans le filtre et avant de mettre le système en marche.

Maintenant, remettez le couvercle et la bague de verrouillage en place et scellez le réservoir du filtre (page 5). Assurez-vous que le couvercle du trou d'homme est exempt de débris. Si le couvercle du trou d'homme n'est pas exempt de sable, le joint ne sera pas correctement positionné et le filtre pourrait fuir au niveau du couvercle du trou d'homme. Utilisez la vanne de purge d'air pour évacuer l'air du filtre. Mettez les vannes du filtre en mode de lavage à contre-courant, mettez la pompe en marche et faites-la fonctionner pendant environ 3 à 5 minutes. Cela permettra de niveler le sable à l'intérieur du filtre. Arrêtez la pompe, mettez les vannes en position de filtrage et le système est prêt à fonctionner.

Opération

Filtration

Remarque : Hayward Commercial propose une gamme complète de vannes et de kits de raccordement pour la gamme Hayward de filtres de piscine commerciaux.

Reportez-vous au tableau au bas de la page 3 pour vous assurer que la bonne vanne est utilisée pour votre filtre.

La pompe étant arrêtée, disposez la ou les vannes pour la filtration comme suit. Démarrez la pompe, ouvrez la vanne de décharge d'air jusqu'à ce qu'un jet d'eau solide sorte. Fermez la vanne de ventilation et lisez le manomètre. C'est la pression normale de démarrage lorsque le sable du filtre est propre. Notez la pression de démarrage.

Lorsque le manomètre indique une augmentation de pression de 7 à 10 psi au-dessus de la pression de démarrage, il est temps de laver le filtre à contre-courant.

LAVAGE À CONTRE-COURANT

ATTENTION – Vérifiez le niveau d'eau dans l'ouverture de l'écumoire avant et après le lavage à contre-courant. Remplacez l'eau après le lavage à contre-courant jusqu'à au moins 2 pouces au-dessus du fond de l'ouverture de l'écumoire.

Pour effectuer un lavage à contre-courant du filtre, arrêtez la pompe, placez la ou les vannes en position « Lavage à contre-courant » et redémarrez la pompe. Le cycle de lavage à contre-courant doit être effectué pendant 3 à 5 minutes. Une fois le lavage à contre-courant terminé, arrêtez la pompe et mettez la ou les vannes en position « Filtre » et démarrez la pompe.

Risque de surpression – Ne pas arrêter la pompe de filtration avant de changer la position de la vanne peut entraîner des blessures ou des dommages matériels. Il est très important d'arrêter la ou les pompes de filtration avant de changer la position de la ou des vannes.

Changement du sable

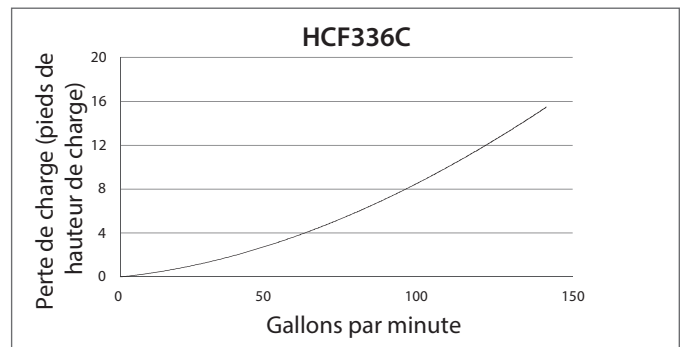
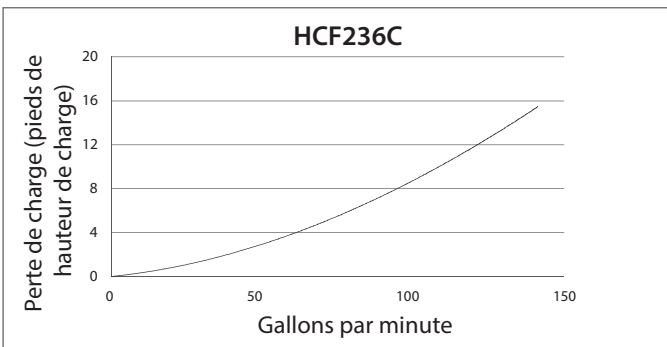
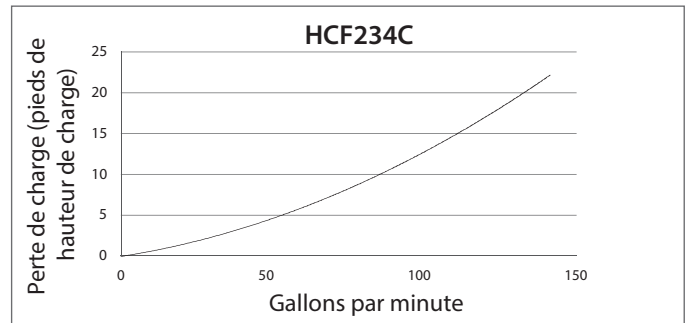
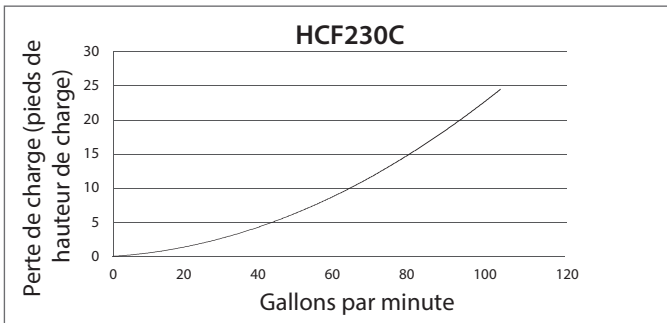
La procédure de remplacement du sable de filtration est la suivante :

1. AVERTISSEMENT – Arrêtez la ou les pompes. Ouvrez la vanne de ventilation. Fermez les vannes nécessaires pour isoler le filtre.
2. Retirez le couvercle du trou d'homme et le joint du filtre (page 5). Ouvrez l'orifice de drainage pour évacuer l'eau du filtre.
3. Retirez le sable à l'aide d'un aspirateur d'atelier ou d'un petit seau.
4. À l'aide d'un tuyau, pulvérisez le sable pour le décompacter si nécessaire.
5. Nettoyez le sable restant sur les murs du mieux possible avec un tuyau et un aspirateur.
6. Ajoutez le nouveau sable comme indiqué dans le tableau de la page 4.
7. Remettez en place le couvercle et le joint du trou d'homme.

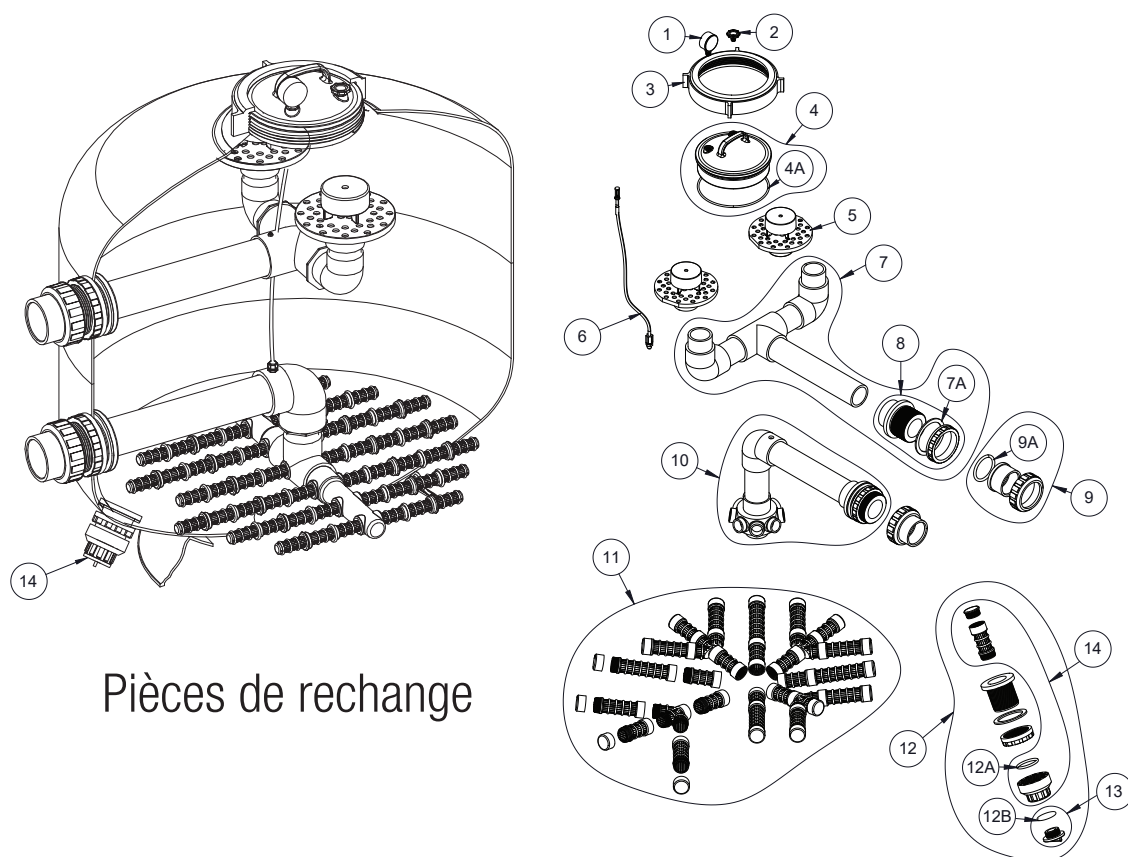
Hivernage

En cas de risque de gel, veillez à évacuer l'eau du réservoir du filtre avant qu'il ne gèle.

Perte de charge



Taille de tuyau acceptable pour les débits maximaux recommandés du système			
Taille des tuyaux	Débit en gpm et (lpm)	Taille des tuyaux	Débit en gpm et (lpm)
2 po (63 mm)	90 gpm (340 lpm)	4 po (100 mm)	350 gpm (1325 lpm)
3 po (90 mm)	200 gpm (757 lpm)	6 po (150 mm)	800 gpm (3028 lpm)



Pièces de rechange

HCF230C

Numéro d'article	PN Hayward	DESCRIPTION	QTÉ
1	HCXFWPG001	Manomètre 0-60 psi	1
2	HCXFWARV002	Kit vanne de décharge d'air et joint torique	1
3	HCXFWLR003	Bague de verrouillage pour couvercle supérieur	1
4	HCXFWLIDKIT004	Kit couvercle transparent 8 po et joint torique	1
4A	HCXFWLOR004A	Joint torique pour couvercle transparent 8 po	1
5	HCXFDWIF005	Diffuseur hydrodôme 2 po	2
6	HCXFWVTKIT006	Kit de tubes d'aération	1
7	HCXFW2DIS007	Assemblage de distributeur 2 po 230CHCF	1
7A	HCXFW2BHG007A	Joint pour cloison 2 po (paquet de 2)	2
8	HCXFW2BHK008	Kit de cloisons 2 po	2
9	HCXFW2UNAD009	Demi-adaptateur pour union 2 po	2
9A	HCXFW2UNAOR009A	Joint torique pour union 2 po (paquet de 2)	2
10	HCXFW2COL010	Assemblage de collecteur 2 po 230CHCF	1
11	HCXFWLATKIT011	Kit latéral 230CHCF	1
12	HCXFWDPA012	Assemblage d'orifice de drainage 1,5 po	1
12A	HCXFWDPOR012A	Joint torique pour capuchon de drainage des fluides	1
12B	HCXFWDPOR012B	Joint torique pour bouchon de drainage d'eau	1
13	HCXFWDPCKIT013	Kit bouchon de drainage d'eau et joint torique	1
14	HCXFWDPCKIT014	Kit capuchon de drainage des fluides et joint torique	1

HCF234C

Numéro d'article	PN Hayward	DESCRIPTION	QTÉ
1	HCXFWPG001	Manomètre 0-60 psi	1
2	HCXFWARV002	Kit vanne de décharge d'air et joint torique	1
3	HCXFWLR003	Bague de verrouillage pour couvercle supérieur	1
4	HCXFWLIDKIT004	Kit couvercle transparent 8 po et joint torique	1
4A	HCXFWLOR004A	Joint torique pour couvercle transparent 8 po	1
5	HCXFWDF005	Diffuseur hydrodôme 2 po	2
6	HCXFWVTKIT006	Kit de tubes d'aération	1
7	HCXFW2DIS107	Assemblage de distributeur 2 po HCF234C	1
7A	HCXFW2BHG007A	Joint pour cloison 2 po (paquet de 2)	2
8	HCXFW2BHK008	Kit de cloisons 2 po	2
9	HCXFW2UNAD009	Demi-adaptateur pour union 2 po	2
9A	HCXFW2UNAOR009A	Joint torique pour union 2 po (paquet de 2)	2
10	HCXFW2COL110	Assemblage de collecteur 2 po HCF234C	1
11	HCXFWLATKIT111	Kit latéral HCF234C	1
12	HCXFWDPA012	Assemblage d'orifice de drainage 1,5 po	1
12A	HCXFWDPOR012A	Joint torique pour capuchon de drainage des fluides	1
12B	HCXFWDPOR012B	Joint torique pour bouchon de drainage d'eau	1
13	HCXFWDPCKIT013	Kit bouchon de drainage d'eau et joint torique	1
14	HCXFWDPCKIT014	Kit capuchon de drainage des fluides et joint torique	1

HCF236C

Numéro d'article	PN Hayward	DESCRIPTION	QTÉ
1	HCXFWPG001	Manomètre 0-60 psi	1
2	HCXFWARV002	Kit vanne de décharge d'air et joint torique	1
3	HCXFWLR003	Bague de verrouillage pour couvercle supérieur	1
4	HCXFWLIDKIT004	Kit couvercle transparent 8 po et joint torique	1
4A	HCXFWLOR004A	Joint torique pour couvercle transparent 8 po	1
5	HCXFWDF005	Diffuseur hydrodôme 2 po	2
6	HCXFWVTKIT006	Kit de tubes d'aération	1
7	HCXFW2DIS207	Assemblage de distributeur 2,5 po HCF236C	1
7A	HCXFW2BHG207A	Joint pour cloison 2,5 po (paquet de 2)	2
8	HCXFW2BHK208	Kit de cloisons 2,5 po	2
9	HCXFW2UNAD209	Demi-adaptateur pour union 2,5 po	2
9A	HCXFW2UNAOR209A	Joint torique pour union 2,5 po (paquet de 2)	2
10	HCXFW2COL210	Assemblage de collecteur 2,5 po HCF236C	1
11	HCXFWLATKIT211	Kit latéral HCF236C	1
12	HCXFWDPA012	Assemblage d'orifice de drainage 1,5 po	1
12A	HCXFWDPOR012A	Joint torique pour capuchon de drainage des fluides	1
12B	HCXFWDPOR012B	Joint torique pour bouchon de drainage d'eau	1
13	HCXFWDPCKIT013	Kit bouchon de drainage d'eau et joint torique	1
14	HCXFWDPCKIT014	Kit capuchon de drainage des fluides et joint torique	1

HCF336C

Numéro d'article	PN Hayward	DESCRIPTION	QTÉ
1	HCXFWPG001	Manomètre 0-60 psi	1
2	HCXFWARV002	Kit vanne de décharge d'air et joint torique	1
3	HCXFWLR003	Bague de verrouillage pour couvercle supérieur	1
4	HCXFWLIDKIT004	Kit couvercle transparent 8 po et joint torique	1
4A	HCXFWLOR004A	Joint torique pour couvercle transparent 8 po	1
5	HCXFWDIF005	Diffuseur hydrodôme 2 po	2
6	HCXFWVKIT006	Kit de tubes d'aération	1
7	HCXFW2DIS307	Assemblage de distributeur 3 po HCF336C	1
7A	HCXFW2BHG307A	Joint pour cloison 3 po (paquet de 2)	2
8	HCXFW2BHK308	Kit de cloisons 3 po	2
9	HCXFW2UNAD309	Demi-adaptateur pour union 3 po	2
9A	HCXFW2UNAOR309A	Joint torique pour union 3 po (paquet de 2)	2
10	HCXFW2COL310	Assemblage de collecteur 3 po HCF336C	1
11	HCXFWLATKIT311	Kit latéral HCF336C	1
12	HCXFWDPA012	Assemblage d'orifice de drainage 1,5 po	1
12A	HCXFWDPOR012A	Joint torique pour capuchon de drainage des fluides	1
12B	HCXFWDPOR012B	Joint torique pour bouchon de drainage d'eau	1
13	HCXFWDPCKIT013	Kit bouchon de drainage d'eau et joint torique	1
14	HCXFWDPCKIT014	Kit capuchon de drainage des fluides et joint torique	1

Garantie

Garantie limitée de Hayward^{MD}

Hayward Pool Products, 400 Connell Drive, Suite 6100, Berkeley Heights, NJ 07922, garantit à l'acheteur, en tant qu'acheteur original de cet équipement, que ses produits sont exempts de défauts de matériaux et de fabrication pendant une période de CINQ (5) ans à compter de la date d'achat.

Les pièces qui tombent en panne ou sont défectueuses pendant la période de garantie, sauf en cas de gel, de négligence, d'installation, d'utilisation ou d'entretien inappropriés, seront réparées ou remplacées, à notre gré, sans frais, dans les 90 jours suivant la réception du produit défectueux, sauf retard imprévu.

Pour obtenir des remplacements ou des réparations sous garantie, les composants ou pièces défectueux doivent être retournés, frais de transport payés, au lieu d'achat ou au centre de service Hayward agréé le plus proche. Pour plus de renseignements sur les revendeurs ou les centres de service Hayward, veuillez contacter le service clientèle de Hayward, ou visitez notre site Web à l'adresse www.hayward-commercialpool.com pour trouver un centre de service agréé près de chez vous. Aucun retour ne peut être effectué directement à l'usine sans l'autorisation écrite expresse de Hayward Pool Products.

Hayward ne sera pas responsable du transport, de la main d'œuvre pour le retrait et/ou la réinstallation ou de tout autre coût encouru pour obtenir des remplacements sous garantie.

Certains états n'autorisent pas la limitation de la durée d'une garantie implicite, ni l'exclusion ou la limitation des dommages accessoires ou indirects, de sorte que la limitation ou l'exclusion ci-dessus peut ne pas s'appliquer à votre cas.

Cette garantie vous attribue des droits légaux spécifiques, et vous pouvez également bénéficier d'autres droits, qui varient d'un état à l'autre.

Hayward Pool Products, 400 Connell Drive, Suite 6100, Berkeley Heights, NJ 07922

* Remplace toutes les publications précédentes

POUR DE PLUS AMPLES INFORMATIONS OU POUR
OBTENIR UNE ASSISTANCE TECHNIQUE AUX CONSOMMATEURS, VISITEZ NOTRE SITE WEB À L'ADRESSE
www.hayward.com



Hayward est une marque déposée de Hayward Industries, Inc. © 2023 Hayward Industries, Inc.

Toutes les autres marques qui n'appartiennent pas à Hayward sont la propriété de leurs détenteurs respectifs. Hayward n'est en aucun cas affiliée à ces tierces parties ni n'est soutenue par ces dernières. Pour obtenir des renseignements sur les brevets, voir www.hayward.com/patents.

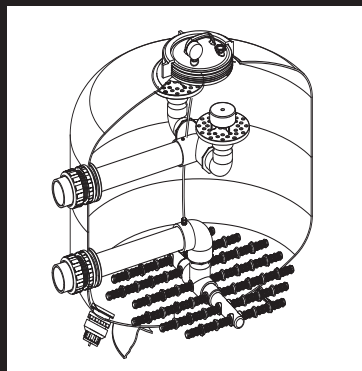
N'UTILISER QUE DES PIÈCES DE RECHANGE HAYWARD D'ORIGINE



Serie HCF

Filtros de arena comerciales

Manual de instalación y operación



Contenido

Instrucciones de seguridad.....	1
General.....	3
Instalación.....	4
Funcionamiento.....	6
Piezas de repuesto.....	8
Garantía.....	10

HCF230C
HCF234C
HCF236C
HCF336C


HHayward Industries
400 Connell Drive, Suite 6100
Berkeley Heights, NJ 07922
Phone: (908) 355-7995
www.hayward.com




HAYWARD®

Instrucciones de seguridad importantes

Siempre deben seguirse las precauciones básicas de seguridad, que incluyen lo siguiente: No seguir las instrucciones puede ocasionar lesiones.

 Este es el símbolo de alerta de seguridad. Cuando vea este símbolo en su equipo o en este manual, busque una de las siguientes palabras clave y esté alerta a potenciales lesiones personales.

 **ADVERTENCIA** advierte sobre peligros que podrían causar lesiones personales graves, la muerte o importantes daños a la propiedad. Ignorarla representa un potencial peligro.

 **PRECAUCIÓN** advierte sobre peligros que provocarán o pueden provocar lesiones personales o daños a la propiedad menores o moderados. Ignorarla representa un potencial peligro. También puede concientizar a los consumidores acerca de acciones que son imprevisibles e inseguras.


La etiqueta de **AVISO** indica instrucciones especiales que son importantes pero no están relacionadas con peligros.




 **ADVERTENCIA:** Lea y siga todas las instrucciones que se brindan en el manual del propietario y el equipo. No seguir las instrucciones puede ocasionar lesiones graves o la muerte.

 **ADVERTENCIA:** La instalación y el mantenimiento de este producto solamente debe estar cargo de profesionales calificados.

 **PRECAUCIÓN:** Todos los cables eléctricos DEBEN cumplir con los códigos locales aplicables, los reglamentos y el Código Eléctrico Nacional (NEC).

 **ADVERTENCIA:** Para reducir el riesgo de lesiones, no permita que los niños usen o se suban a este producto. Supervise de cerca a los niños en todo momento. Los componentes como el sistema de filtración, las bombas y los calentadores se deben posicionar de modo tal que impida que los niños los usen como medio para acceder a la piscina.

 **ADVERTENCIA:** Los componentes de la piscina y el spa tienen una vida útil limitada. Todos los componentes se deben inspeccionar con frecuencia y reemplazar al menos cada siete años, o si se observa que están dañados, rotos, rajados, ausentes o flojos.

ADVERTENCIA: Peligro de atrapamiento por succión. La succión en las bocas de salida o las tapas de las bocas de salida de succión que estén dañadas, rotas, rajadas, ausentes o flojas pueden causar lesiones graves o la muerte debido a los siguientes peligros de atrapamiento (símbolos complementarios de APSP):



Atrapamiento de cabello: El cabello se puede enredar en la tapa de la salida de succión.



Atrapamiento de extremidades: La inserción de una extremidad en la abertura de un cárter de una salida de succión o una cubierta de una salida de succión que está dañada, rota, rajada, ausente o floja puede causar un bloqueo mecánico o la inflamación de la extremidad.



Atrapamiento del cuerpo por succión: Si se aplica presión diferencial a una gran parte del cuerpo o las extremidades, esto puede ocasionar su atrapamiento.



Evisceración o destripamiento: Si se aplica presión negativa directamente en los intestinos mediante el cárter de salida de succión desprotegido o la cubierta de salida de succión que esté dañada, rota, rajada, ausente o no asegurada, esto puede ocasionar evisceración o destripamiento.

Atrapamiento mecánico: Existen probabilidades de que las joyas, los trajes de baño, los accesorios para el cabello, los dedos de la mano, los dedos del pie o los nudillos queden atrapados en la abertura de una cubierta de salida de succión y que esto dé lugar a un atrapamiento mecánico.



ADVERTENCIA: Para reducir el riesgo de atrapamiento:

- Cuando las salidas son lo suficientemente pequeñas como para que las bloquee una persona, se deben instalar como mínimo dos salidas de succión que estén en funcionamiento por bomba. Las salidas de succión en un mismo plano (es decir, una pared o piso) deben estar instaladas con un mínimo de 3 pies (3 ft) (0,91 metros) de distancia entre sí, al medir del extremo más cercano al otro extremo más cercano.
- Se deben colocar accesorios de succión dobles en ubicaciones y distancias tales que eviten que una persona pueda bloquear los dos accesorios a la vez.
- Los accesorios de succión dobles no pueden estar ubicados en áreas de asiento ni en el respaldar de tales áreas de asiento.
- La tasa de flujo máxima no debe exceder los valores mostrados en la "Tabla de tamaño de tuberías" de la página 7.
- Nunca use una piscina o spa si algún componente de la salida de succión está dañado, roto, rajado, ausente o flojo.
- Reemplace inmediatamente los componentes dañados, rotos, rajados o flojos de la salida de succión.
- Además de instalar dos o más bocas de salida de succión por bomba, de acuerdo con los últimos estándares de APSP y lineamientos de CPSC, siga todos los códigos nacionales, estatales y locales aplicables.
- Se recomienda la instalación de un sistema de liberación de vacío o ventilación, que alivia la succión obstruida.



HAYWARD®



ADVERTENCIA: Presión peligrosa. Los sistemas de circulación de agua de la piscina y spa funcionan con presión peligrosa durante el arranque, el funcionamiento normal y luego de apagarse la bomba. Apártese del equipo del sistema de circulación durante el arranque de la bomba. Si no se siguen las instrucciones de seguridad y funcionamiento, podrían ocurrir daños a la propiedad, lesiones personales graves o la muerte. Antes de hacer mantenimiento al sistema de circulación de agua de la piscina y spa, todos los controles del sistema y la bomba deben estar apagados y la válvula de alivio de aire manual del filtro debe estar en la posición abierta. Antes de encender la bomba, todas las válvulas del sistema deben estar en una posición que permita al agua del sistema regresar a la piscina. No cambie la posición de la válvula de control del filtro mientras funciona la bomba. Antes de encender la bomba, abra por completo la válvula de alivio de aire manual del filtro. No cierre la válvula de alivio de aire manual del filtro hasta que salga de la válvula un chorro continuo de agua (no de aire ni de agua mezclada con aire). Todas las válvulas de succión y descarga DEBEN estar ABIERTAS al encenderse el sistema de circulación. No seguir esta instrucción puede ocasionar lesiones graves y daños.



ADVERTENCIA: Peligro de separación. No seguir las instrucciones de seguridad y operación podría ocasionar una violenta separación de los componentes de la bomba. La tapa del prefiltro debe estar bien asegurada a la carcasa de la bomba. Antes de hacer mantenimiento al sistema de circulación de la piscina y spa, todos los controles del sistema y de la bomba deben estar apagados, y la válvula de alivio de aire manual del filtro debe estar en la posición abierta. No opere el sistema de circulación de la piscina y spa si un componente del sistema no está correctamente ensamblado, o está dañado o ausente. No opere el sistema de circulación de la piscina y spa a menos que la cubierta de la escotilla esté en la posición asentada en el cuerpo del filtro. Todas las válvulas de succión y descarga DEBEN estar ABIERTAS al encenderse el sistema de circulación. No seguir esta instrucción puede ocasionar lesiones graves y daños a la propiedad.



ADVERTENCIA: Nunca opere ni pruebe el sistema de circulación a más de 50 psi.

ADVERTENCIA: No instalar de acuerdo con las instrucciones definidas puede ocasionar lesiones graves o la muerte.



ADVERTENCIA: PELIGRO DE ELECTROCUCIÓN. Hay electricidad de alto voltaje presente en el equipo de piscina y spa. La electricidad de alto voltaje puede causar descargas y electrocución. Las descargas y la electrocución pueden producir lesiones graves o la muerte.

- Todos los cables eléctricos DEBEN cumplir con los códigos locales aplicables, los reglamentos y el Código Eléctrico Nacional (NEC).
- Antes de realizar cualquier servicio o mantenimiento en el equipo eléctrico, desconecte todo el suministro eléctrico.
- Comuníquese con un electricista licenciado o inspector de edificios para obtener información sobre los requisitos de conexión equipotencial del código eléctrico local.
- Verifique que la descarga de agua de la válvula de alivio de aire manual del filtro no apunte en la dirección de los dispositivos eléctricos.
- No localice los controles de la bomba sobre el filtro o cerca de él.

General

AVISO: Las normas que rigen las piscinas públicas y privadas varían según la jurisdicción. Es responsabilidad del instalador estar al tanto de estos códigos antes de diseñar, especificar o instalar cualquier equipo para una piscina o spa.

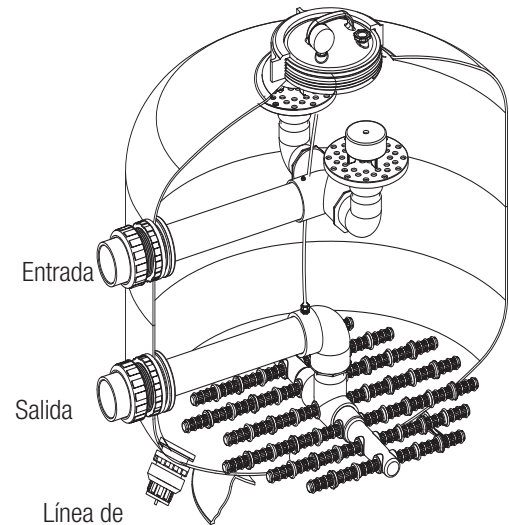
Filtros para piscinas

Los filtros son, sin duda alguna, el accesorio más importante para el tratamiento del agua de piscina. Su propósito es eliminar las partículas suspendidas del agua circulante y así aclarar el agua. La operación principal consiste en pasar el agua de piscina a través de una cama de arena que retiene las partículas que están suspendidas en el agua.

Debe tenerse en cuenta que el sistema de filtración consiste en varios elementos, como equipos de medición, bombas, accesorios protectores para piscinas y tuberías, que garantizan la succión correcta, y flujos de retorno que afectan la condición posterior del agua tratada.

La calidad de la filtración depende de varios factores: el tamaño y la forma de la arena; la profundidad de la cama de arena; las características de la arena, como el tamaño del grano, la densidad, entre otros. El parámetro más importante es la velocidad de filtración de agua. Otros factores que influyen en la selección de un filtro son los materiales usados para su construcción, la temperatura de trabajo y la presión de funcionamiento.

Los filtros Hayward® están fabricados con resinas y fibra de vidrio patentadas; prácticamente son resistentes a la corrosión. Los accesorios internos (sistema difusor y lateral) están fabricados con PVC y ABS. No se ven afectados por el agua salada y están fabricados para funcionar a una presión de hasta 50 psi y una temperatura de funcionamiento máxima de 104 °F.



Características del filtro

Elija los filtros que cumplan con los requisitos locales de tiempo de rotación. Recuerde que es posible agregar filtros juntos para obtener la cantidad correcta de área de filtración requerida. **NOTA:** Si se usan varios filtros, deben instalarse en configuración paralela. Además, es una buena idea sobre-dimensionar el área de superficie en un 10 % o más; esto permitirá una mejor calidad del agua. De ser posible, use más de un filtro en conjunto; esto permitirá dar mantenimiento a un filtro mientras el otro aún está funcionando.

Al dimensionar la tubería de un paquete de filtración, tenga en cuenta que la velocidad del agua de la tubería es muy importante. Cada país o estado puede tener diferentes velocidades máximas en la tubería. Deben seguirse las recomendaciones de APSP-7.

Características de la instalación

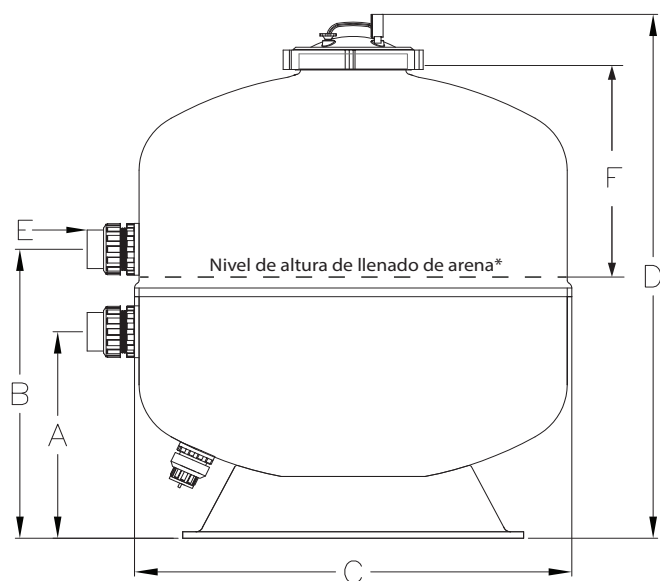
Para garantizar la selección del tamaño de bomba correcto, debe tenerse en consideración la carga del sistema para obtener el flujo requerido. El cabezal del sistema es la dificultad añadida para mover el agua a través del sistema presentado, ya que en él se usan codos, tubos, juntas T, cambios de elevación, entre otros elementos.

También se recomienda reunir las descargas de cada bomba en un solo colector hacia los filtros. Esto permite una tasa de flujo mayor para el ciclo de retrolavado.

- Instale una válvula de retención frente a la entrada del filtro para evitar que los contaminantes regresen a la piscina.
- Instale una válvula de retención entre el filtro y el calentador para evitar que el agua caliente retorne al filtro y dañe los componentes internos.
- La eliminación del "agua residual" debe cumplir con los códigos locales, estatales y nacionales.
- Consulte el gráfico de la página 4 para ver la separación vertical y horizontal.

Tubería de filtro mínima recomendada de Hayward

Modelo de filtro	Tamaño del puerto	Válvula de varios puertos	Kit de tubería
HCF230C	2 in	HCV275C	con válvula
HCF234C	2 in	HCV275C	con válvula
HCF236C	2.5 in	HCV2575C	con válvula
HCF336C	3 in	HCV375	con válvula



Filtro Modelo Número	Dimensiones (pulgadas)						Área de filtro		Flujo máximo/ Retrolavado Tasa		Filtro Arena Cant.* (lb)	Separación (pulgadas)	
	A	B	C	D	E	F	Pies cuadrados	Metros cuadrados	GPM	LPM		Vertical	Horizontal
HCF230C	16,25	23,75	31,49	42,60	2	13,5	4,90	0,45	98	371	600	18	4
HCF234C	18,75	26,25	33,85	46,40	2	17,5	6,31	0,59	126	476	750	18	4
HCF236C	18,75	26,25	37,40	47,60	2,5	20,5	7,05	0,65	141	533	900	18	4
HCF336C	18,5	26,22	37,40	47,60	3	20,5	7,05	0,65	141	533	900	18	4

* El nivel de altura de llenado (F) puede variar según el tamaño de los medios. Siempre llene con la "Cantidad de arena de filtro" requerida que se mostró anteriormente.

Instalación

⚠ ADVERTENCIA: Lea y siga todas las instrucciones.

⚠ ADVERTENCIA: La instalación y el mantenimiento de este producto solamente debe estar a cargo de profesionales calificados.

NOTA: Los filtros se venden con un palé y con accesorios incluidos. Debido a su peso y su tamaño, se recomienda emplear medios mecánicos para mover el filtro a su posición. Además, es muy importante inspeccionar los filtros con cuidado antes de instalarlos. Deje notas en los documentos de envío en caso de que haya daños en el embalaje. Los filtros FRP pueden dañarse durante el transporte y es responsabilidad del instalador inspeccionarlos en el momento de la entrega.

Los daños en los filtros debido al transporte de los que no se deje constancia en la orden de embarque no estarán cubiertos por la política de garantía de Hayward y todos los costos de reparación serán responsabilidad del dueño.

Nunca coloque la arena en el filtro hasta que esté en su posición de funcionamiento final y se hayan completado todos los pasos anteriores. El filtro debe ser accesible para el mantenimiento periódico o el cambio de medios. Es absolutamente necesario dejar un espacio de acceso mínimo alrededor de los filtros, tal como se definió anteriormente.

La sala de equipos debe estar bien ventilada y debe contar con las capacidades de drenaje adecuadas para que, en caso de una emergencia que se derive en una inundación causada por una tubería, filtro o bomba, pueda retirarse el agua fácilmente para evitar daños a la propiedad. Si no puede suministrarse drenaje directamente desde la sala de equipos, debe considerarse la instalación de un sistema alternativo para retirar el agua de la sala mecánica, según los códigos federales, estatales y locales.

Instalación del filtro

No use la cubierta o la abertura de la escotilla para manipular y mover el filtro a su lugar. Si lo mueve con la mano, asegúrese de tener cuidado. Antes de continuar, asegúrese de que los filtros estén en la ubicación deseada con las conexiones mirando en la dirección necesaria para una instalación apropiada. Además, es muy importante asegurarse de que el filtro esté apoyado sobre una superficie nivelada y dura.

Es posible que, durante el transporte, se hayan aflojado algunos componentes internos. Será necesario retirar la cubierta de la escotilla del filtro e introducir el filtro, teniendo cuidado de no romper ninguna de las conexiones. Con la mano, verifique el ajuste de todos los laterales en la parte inferior del filtro, asegurándose de que estén bien ajustados. Con la mano, verifique el ajuste de todos los distribuidores en la parte superior del filtro, asegurándose de que estén bien ajustados.

Tenga en cuenta que los modelos HCF336C incluyen una brida de tubería ANSI de 3 in (no se muestra) y requieren el uso de un adhesivo ABS a PVC apropiado.

Posicionamiento del tanque

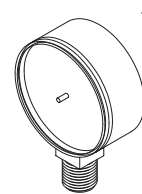
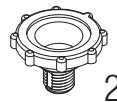
Se recomiendan las líneas de tiza para instalaciones de varios tanques, que deben trazarse para posicionar cada tanque. Al planificar la ubicación apropiada del sistema de filtro, debe prestarse atención a la ubicación y al enrutamiento de la tubería afluente, efluente y de residuos. Los tanques deben estar nivelados y paralelos entre sí; de lo contrario, podrían ocurrir daños en los tanques del filtro, en las válvulas operativas o en la tubería de conexión.

Instalación del manómetro

El montaje del manómetro viene en una bolsa que cuelga de un difusor dentro del filtro. Retire todas las piezas de la bolsa y aplique cinta de teflón a todas las conexiones roscadas. Conecte el manómetro (1) y la válvula de purga (2) a la cubierta de la escotilla (no se muestra). Una vez que se encienda el sistema, abra la válvula de purga (2) para purgar el aire que haya quedado atrapado en el filtro durante el encendido.

1 - Manómetro

2 - Válvula de purga



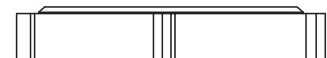
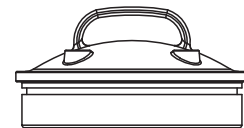
Extracción de la cubierta de la escotilla

ADVERTENCIA La instalación y el mantenimiento de este producto solamente debe estar a cargo de profesionales de piscinas calificados. Su filtro viene con una cubierta de escotilla de filtro previamente instalada en fábrica. Solo para profesionales de piscinas calificados: En caso de que deba dar mantenimiento a la cubierta de la escotilla del filtro, siga estas instrucciones detenidamente.

1. Desactive todas las bombas de circulación del sistema y todo el suministro eléctrico en los controles del equipo.
2. Fije todas las válvulas del sistema en una posición para evitar que fluya agua hacia el filtro.
3. Debe colocarse la válvula de purga de aire manual (válvula de ventilación) en la posición OPEN (Abierto). Espere a que se detenga la fuga de agua.
4. Extraiga el anillo de bloqueo girándolo en sentido antihorario, y guárdelo.
5. Retire la cubierta de la escotilla de policarbonato y la junta tórica.

Reinstalación de la cubierta de la escotilla

1. Inspeccione la cubierta de la escotilla y la junta tórica, y reemplácelas si es necesario.
2. Con un paño limpio, limpie el cuello interior donde se fijan los sellos de la junta tórica de la escotilla. Retire toda la suciedad y los restos.
3. Fije la junta tórica en la ranura de la tapa.
4. Use lubricante para juntas tóricas para lubricar la junta tórica (no use ningún lubricante a base de petróleo, ya que se anulará la garantía).
5. Coloque la tapa en la abertura del cuello de llenado y presiónela hacia abajo con la mano hasta que esté totalmente fijada al cuello.
6. Reinstale el anillo de bloqueo con la mano. No ajuste demasiado.



Secuencia de ajuste de la tuerca de la cubierta de la escotilla



Pruebas del filtro

Antes de agregar arena al filtro, es muy importante probar el sistema solo con agua. Se realizan pruebas con todos los filtros usando presión alta antes de que salgan de fábrica. Es importante probar el sistema primero, sin arena, para verificar si hay fugas. Abra la válvula de purga de aire. Llene el sistema con agua. Cuando se descargue agua, no agua y aire, desde la válvula de purga de aire, cierre la válvula de purga de aire. Haga funcionar el sistema con normalidad y verifique si hay fugas. Si hay algún problema con las pruebas, comuníquese con el servicio al cliente de Hayward de inmediato. Si se agrega arena antes de la prueba y hay algún problema con el filtro, deberá vaciar la arena para inspeccionarlo en busca de posibles daños. Hayward no será responsable de la extracción y el reemplazo de la arena para el trabajo de garantía o reparación, ni ofrecerá mano de obra para vaciar y reemplazar la arena en el trabajo de reparación realizado debido a daños por transporte o instalación. Esta también es una buena oportunidad para revisar todas las tuberías del sistema. No drene el agua del filtro después de la secuencia de pruebas.

Colocación de la arena

Después de finalizar las pruebas y de que el sistema esté 100 % operativo, agregue la arena de filtración necesarias. Use arena de sílice n.º 20 (45 a 55 mm). Abra la válvula de ventilación y retire la cubierta de la escotilla y el sello del filtro (página 5). Asegúrese de que el filtro esté lleno de agua hasta el puerto de entrada. Se indica la cantidad apropiada de arena en la página 4. Si el cabezal difusor está directamente debajo de la abertura de la escotilla, cúbralo con plástico y cinta para evitar que la arena ingrese a la tubería.

AVISO: Retire el plástico y la cinta del difusor después de verter la arena en el filtro y antes de arrancar el sistema.

Ahora, reemplace la tapa y la cubierta del anillo de bloqueo y séllelas en el tanque del filtro (página 5). Asegúrese de que la tapa y el cuello del filtro estén libres de restos. Si las superficies de sellado no están libres de arena, el sello no se fijará correctamente y podría causar una fuga en la cubierta de la tapa. Use la válvula de purga de aire para retirar el aire del filtro. Coloque las válvulas del filtro en el modo de retrolavado, encienda la bomba (consulte la siguiente sección) y déjela funcionar durante aproximadamente 3 a 5 minutos. De esta manera, se nivelará la arena dentro del filtro. Apague la bomba, coloque las válvulas en la posición de filtro, y el sistema estará listo para funcionar.

Funcionamiento

Filtración

NOTA: Hayward Commercial ofrece una línea completa de válvulas y kits de conexión para la línea de filtros de piscina comerciales de Hayward.

Consulte la tabla ubicada en la parte inferior de la página 3 para asegurarse de usar la válvula correcta para su filtro.

Con la bomba apagada, ordene las válvulas para la filtración. Encienda la bomba y abra la válvula de ventilación de alivio de aire hasta que salga una corriente de agua sólida. Cierre la válvula de ventilación y lea el manómetro. Esta es la presión de arranque normal cuando la arena del filtro está limpia. Tome nota de la presión de arranque.

Cuando el manómetro muestre un aumento de presión de 7 a 10 psi por encima de la presión de arranque, es hora de retrolavar el filtro.

Retrolavado

AVISO: Verifique el nivel de agua de la abertura del skimmer antes y después del retrolavado. Reemplace el agua después de retrolavar hasta al menos 2 pulgadas por encima de la parte inferior de la abertura del skimmer.

Para retrolavar el filtro, detenga la bomba, fije las válvulas en la posición "Backwash" (Retrolavado) y reinicie la bomba. El ciclo de retrolavado debe ejecutarse durante 3 a 5 minutos o hasta que el filtro esté limpio. Una vez que ha finalizado el retrolavado, apague la bomba y fije las válvulas en la posición "Filter" (Filtro) y encienda la bomba.

Peligro de descarga de presión: Si no apaga la bomba del filtro antes de cambiar la posición de la válvula, pueden ocurrir lesiones personales o daños a la propiedad. Es muy importante apagar las bombas de filtro antes de cambiar la posición de las válvulas.



Cambio de arena

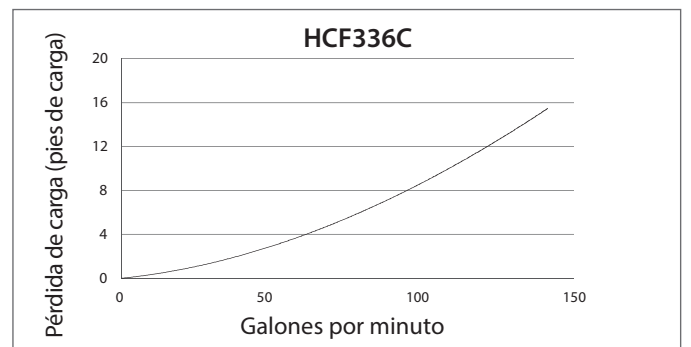
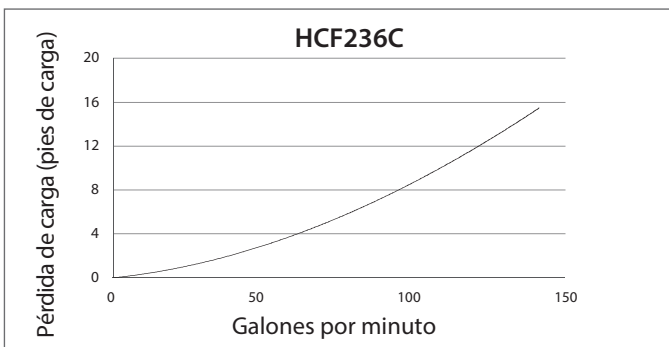
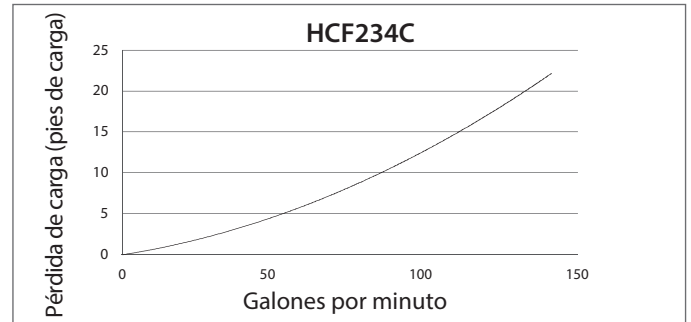
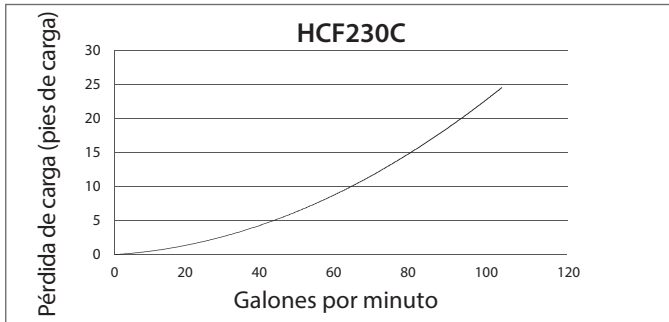
El procedimiento para cambiar la arena del filtro es el siguiente:

1. ADVERTENCIA: Apague las bombas. Abra la válvula de ventilación. Cierre las válvulas necesarias para aislar el filtro.
2. Retire la cubierta de la escotilla y el sello del filtro (página 5). Abra el puerto de drenaje para drenar el agua del filtro.
3. Retire la arena con una aspiradora para taller o una cubeta pequeña.
4. Con una manguera, espolvoree la arena para aflojarla, si es necesario.
5. Limpie la arena restante de las paredes lo mejor posible con una manguera o aspiradora.
6. Agregue la arena nueva según lo indicado en la tabla de la página 4.
7. Reemplace la cubierta de la escotilla y el sello.

Preparación para el invierno

En caso de que pueda ocurrir un congelamiento, asegúrese de drenar el agua del tanque del filtro antes del congelamiento.

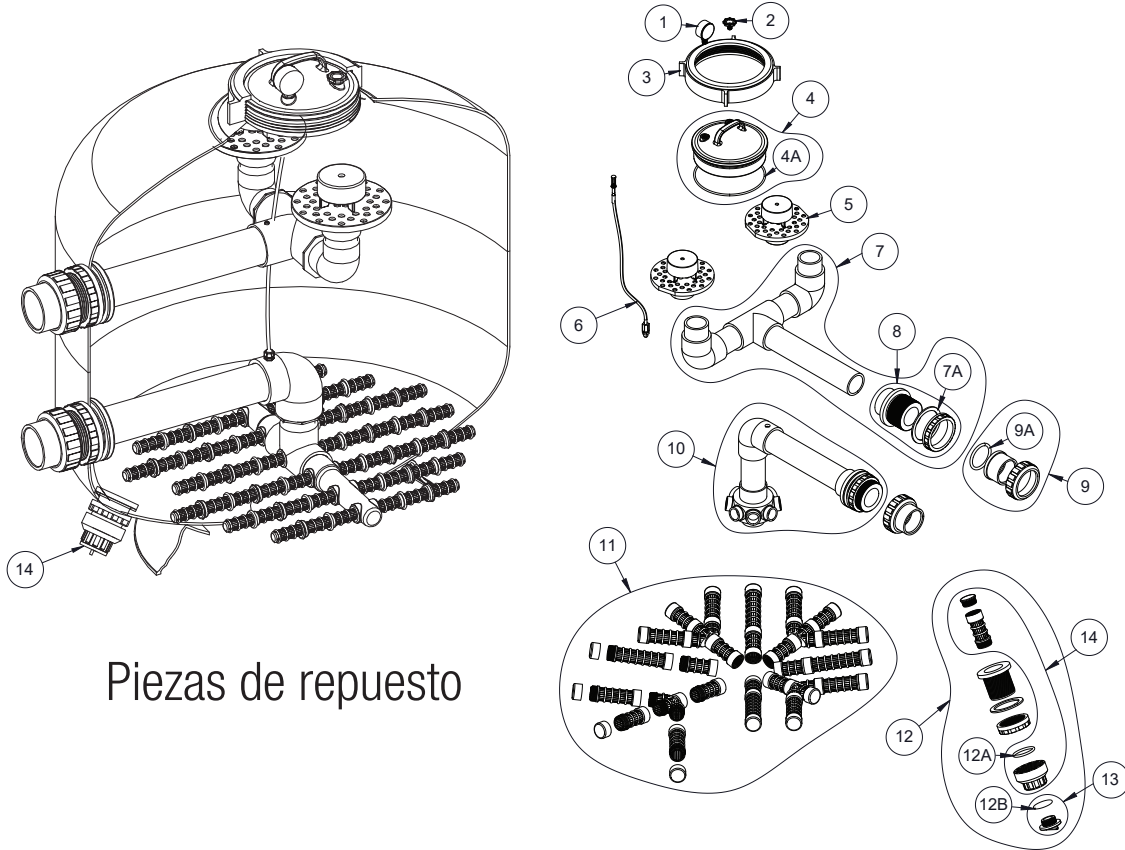
Pérdida de carga



Tamaño de la tubería aceptable para índices de flujo del sistema recomendados máximos			
Tamaño de la tubería	Índice de flujo en gpm y (lpm)	Tamaño de la tubería	Índice de flujo en gpm y (lpm)
2 in (63 mm)	90 gpm (340 lpm)	4 in (100 mm)	350 gpm (1325 lpm)
3 in (90 mm)	200 gpm (757 lpm)	6 in (150 mm)	800 gpm (3028 lpm)



HAYWARD®



Piezas de repuesto

HCF230C

N.º DE ARTÍCULO	PN de Hayward	DESCRIPCIÓN	CANT.
1	HCXFWPG001	Manómetro 0-60 psi	1
2	HCXFWARV002	Kit de válvula de alivio de aire y junta tórica	1
3	HCXFWLR003	Anillo de bloque de la tapa superior	1
4	HCXFWLIDKIT004	Kit de tapa transparente y junta tórica de 8 in	1
4 A	HCXFWLOR004A	Junta tórica de la tapa transparente de 8 in	1
5	HCXFWDIF005	Difusor HydroDome de 2 in	2
6	HCXFWTKIT006	Kit de tubo de ventilación	1
7	HCXFW2DIS007	Montaje del distribuidor de 2 in HCF230C	1
7 A	HCXFW2BHG007A	Junta de mamparo de 2 in (paquete de 2)	2
8	HCXFW2BHK008	Kit de mamparo de 2 in	2
9	HCXFW2UNAD009	Adaptador de mitad de unión de 2 in	2
9 A	HCXFW2UNAOR009A	Junta tórica de unión de 2 in (paquete de 2)	2
10	HCXFW2COL010	Montaje del colector de 2 in HCF230C	1
11	HCXFWLATKIT011	Kit lateral HCF230C	1
12	HCXFWDPA012	Montaje del puerto de drenaje de 1,5 in	1
12 A	HCXFWDPOR012A	Junta tórica de la tapa de drenaje de medios	1
12B	HCXFWDPOR012B	Junta tórica del tapón de drenaje de agua	1
13	HCXFWDPCKIT013	Kit de junta tórica y tapón de drenaje de agua	1
14	HCXFWDPCKIT014	Kit de junta tórica y tapa de drenaje de medios	1

HCF234C

N.º DE ARTÍCULO	PN de Hayward	DESCRIPCIÓN	CANT.
1	HCXFWPG001	Manómetro 0-60 psi	1
2	HCXFWARV002	Kit de válvula de alivio de aire y junta tórica	1
3	HCXFWLR003	Anillo de bloque de la tapa superior	1
4	HCXFWLIDKIT004	Kit de tapa transparente y junta tórica de 8 in	1
4 A	HCXFWLOR004A	Junta tórica de la tapa transparente de 8 in	1
5	HCXFWDF005	Difusor HydroDome de 2 in	2
6	HCXFWVKIT006	Kit de tubo de ventilación	1
7	HCXFW2DIS107	Montaje del distribuidor de 2 in HCF234C	1
7 A	HCXFW2BHG007A	Junta de mamparo de 2 in (paquete de 2)	2
8	HCXFW2BHK008	Kit de mamparo de 2 in	2
9	HCXFW2UNAD009	Adaptador de mitad de unión de 2 in	2
9 A	HCXFW2UNAOR009A	Junta tórica de unión de 2 in (paquete de 2)	2
10	HCXFW2COL110	Montaje del colector de 2 in HCF234C	1
11	HCXFWLATKIT111	Kit lateral HCF234C	1
12	HCXFWDA012	Montaje del puerto de drenaje de 1,5 in	1
12 A	HCXFWDPOR012A	Junta tórica de la tapa de drenaje de medios	1
12B	HCXFWDPOR012B	Junta tórica del tapón de drenaje de agua	1
13	HCXFWDPCKIT013	Kit de junta tórica y tapón de drenaje de agua	1
14	HCXFWDPCKIT014	Kit de junta tórica y tapa de drenaje de medios	1

HCF236C

N.º DE ARTÍCULO	PN de Hayward	DESCRIPCIÓN	CANT.
1	HCXFWPG001	Manómetro 0-60 psi	1
2	HCXFWARV002	Kit de válvula de alivio de aire y junta tórica	1
3	HCXFWLR003	Anillo de bloque de la tapa superior	1
4	HCXFWLIDKIT004	Kit de tapa transparente y junta tórica de 8 in	1
4 A	HCXFWLOR004A	Junta tórica de la tapa transparente de 8 in	1
5	HCXFWDF005	Difusor HydroDome de 2 in	2
6	HCXFWVKIT006	Kit de tubo de ventilación	1
7	HCXFW2DIS207	Montaje del distribuidor de 2,5 in HCF236C	1
7 A	HCXFW2BHG207A	Junta de mamparo de 2,5 in (paquete de 2)	2
8	HCXFW2BHK208	Kit de mamparo de 2,5 in	2
9	HCXFW2UNAD209	Adaptador de mitad de unión de 2,5 in	2
9 A	HCXFW2UNAOR209A	Junta tórica de unión de 2,5 in (paquete de 2)	2
10	HCXFW2COL210	Montaje del colector de 2,5 in HCF236C	1
11	HCXFWLATKIT211	Kit lateral HCF236C	1
12	HCXFWDA012	Montaje del puerto de drenaje de 1,5 in	1
12 A	HCXFWDPOR012A	Junta tórica de la tapa de drenaje de medios	1
12B	HCXFWDPOR012B	Junta tórica del tapón de drenaje de agua	1
13	HCXFWDPCKIT013	Kit de junta tórica y tapón de drenaje de agua	1
14	HCXFWDPCKIT014	Kit de junta tórica y tapa de drenaje de medios	1

HCF336C

N.º DE ARTÍCULO	PN de Hayward	DESCRIPCIÓN	CANT.
1	HCXFWPG001	Manómetro 0-60 psi	1
2	HCXFWARV002	Kit de válvula de alivio de aire y junta tórica	1
3	HCXFWLR003	Anillo de bloque de la tapa superior	1
4	HCXFWLIDKIT004	Kit de tapa transparente y junta tórica de 8 in	1
4 A	HCXFWLOR004A	Junta tórica de la tapa transparente de 8 in	1
5	HCXFWDF005	Difusor HydroDome de 2 in	2
6	HCXFWVTKIT006	Kit de tubo de ventilación	1
7	HCXFW2DIS307	Montaje del distribuidor de 3 in HCF336C	1
7 A	HCXFW2BHG307A	Junta de mamparo de 3 in (paquete de 2)	2
8	HCXFW2BHK308	Kit de mamparo de 3 in	2
9	HCXFW2UNAD309	Adaptador de mitad de unión de 3 in	2
9 A	HCXFW2UNAOR309A	Junta tórica de unión de 3 in (paquete de 2)	2
10	HCXFW2COL310	Montaje del colector de 3 in HCF336C	1
11	HCXFWLATKIT311	Kit lateral HCF336C	1
12	HCXFWDPA012	Montaje del puerto de drenaje de 1,5 in	1
12 A	HCXFWDPOR012A	Junta tórica de la tapa de drenaje de medios	1
12B	HCXFWDPOR012B	Junta tórica del tapón de drenaje de agua	1
13	HCXFWDPCKIT013	Kit de junta tórica y tapón de drenaje de agua	1
14	HCXFWDPCKIT014	Kit de junta tórica y tapa de drenaje de medios	1

Garantía

GARANTÍA LIMITADA DE HAYWARD®

Al comprador, en tanto comprador original de este equipo, Hayward Pool Products, 400 Connell Drive, Suite 6100, Berkeley Heights, NJ 07922, le garantiza que el producto está libre de defectos de materiales y mano de obra por un período de CINCO (5) años desde la fecha de compra.

Las piezas que fallen o se vuelvan defectuosas durante el período de garantía, excepto como resultado de congelamiento, negligencia, instalación inadecuada, uso o cuidado inadecuados, se repararán o reemplazarán, según nuestro criterio, dentro de los 90 días de la recepción del producto defectuoso, salvo retrasos imprevistos, sin costo alguno.

Para obtener repuestos o reparaciones en garantía, las piezas o los componentes defectuosos se deben devolver y transportar al lugar de compra o al centro de servicio autorizado de Hayward más cercano. Para obtener más información sobre el concesionario o centro de servicio de Hayward, comuníquese con el departamento de servicio al cliente de Hayward o visite nuestro sitio web en www.hayward-commercialpool.com para encontrar un centro de servicio autorizado cerca de usted. No se pueden realizar devoluciones directamente a la fábrica sin la autorización expresa por escrito de Hayward Pool Products.

Hayward no será responsable por el transporte, la extracción, los trabajos de instalación o cualquier otro tipo de costos en los que se haya incurrido para obtener repuestos en garantía.

Algunos estados no permiten que se establezca un límite en la duración de una garantía, o la exclusión o limitación de daños incidentales o consecuentes, en cuyo caso no se aplica la limitación o exclusión anterior.

Esta garantía le proporciona derechos legales especiales y también puede tener otros derechos que varían según el estado.

Hayward Pool Products, 400 Connell Drive, Suite 6100, Berkeley Heights, NJ 07922

*Sustituye a todas las publicaciones anteriores

PARA OBTENER MÁS INFORMACIÓN O
SERVICIO TÉCNICO AL CONSUMIDOR, VISITE NUESTRO SITIO WEB
www.hayward.com



Hayward es una marca registrada de Hayward Industries, Inc. © 2023 Hayward Industries, Inc.

Todas las demás marcas que no son propiedad de Hayward son propiedad de sus respectivos dueños. Hayward no está de ninguna manera afiliada con dichos terceros ni avalada por ellos. Para obtener información sobre patentes, consulte www.hayward.com/patents.