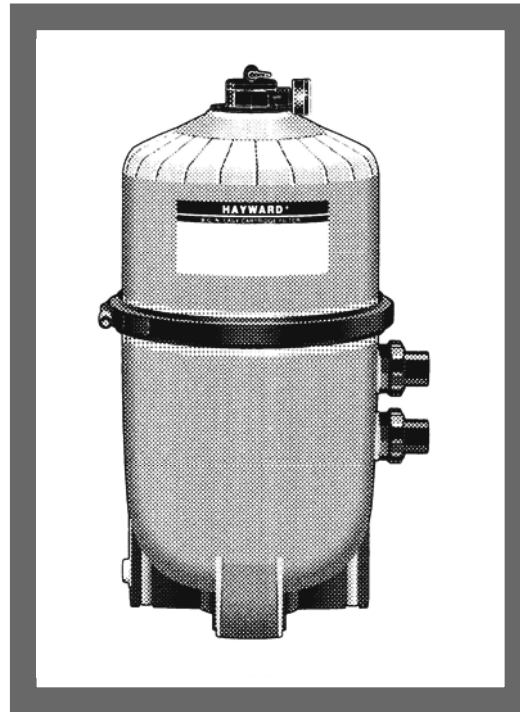




SwimClear™

by **HAYWARD®**

Owner's Manual




Models C2030 C3030 C4030 C5030 C7030
TOP MANIFOLD CARTRIDGE FILTERS


MODEL	EFFECTIVE FILTRATION RATE		DESIGN FLOW RATE	
	FT ²	M ²	Residential GPM	Commercial LPM
C2030	225	20.9	84	318
C3030	325	30.2	122	462
C4030	425	39.5	150	568
C5030	525	48.8	150	568
C7030	680	63.2	150	568
MAXIMUM WORKING PRESSURE FOR ALL MODELS 50 PSI (3.45 BAR)				


ATTENTION INSTALLER: THIS MANUAL CONTAINS IMPORTANT INFORMATION ON THE OPERATION, AND SAFE USE OF THIS EQUIPMENT.

THIS MANUAL IS INTENDED FOR THE END USER OF THIS PRODUCT

Hayward Pool Products
 620 Division Street, Elizabeth, NJ 07207
 Phone: (908) 351.5400
www.haywardnet.com

 This is the safety-alert symbol. When you see this symbol on your equipment or in this manual, look for one of the following signal words and be alert to the potential for personal injury or death.

 **WARNING** Warns about hazards that could cause serious personal injury or, death, and or major property damage and if ignored presents a potential hazard.


 **CAUTION** Warns about hazards that will or can cause minor or moderate personal injury and/or property damage and if ignored presents a potential hazard. It can also make consumers aware of actions that are unpredictable and unsafe.

The **NOTICE** label indicates special instructions that are important but not related to hazards.



 **READ, UNDERSTAND, AND FOLLOW ALL SAFETY AND OPERATION INSTRUCTIONS.**

FAILURE TO FOLLOW SAFETY AND OPERATION INSTRUCTIONS CAN RESULT IN SEVERE PERSONAL INJURY OR DEATH.

 **CAUTION** To reduce risk of injury, do not permit children to use or climb on this product. Closely supervise children at all times. The ANSI/NSPI-4 Standard (above-ground and on-ground pools) advises that components such as the filtration system, pumps, and heaters be positioned to prevent their being used as a means of access to the pool by young children.



 **WARNING COMPONENT SEPARATION HAZARD**

Pool and spa water circulation systems operate under hazardous pressure during start up, normal operation, and possibly after pump shut off. Pressure in system can cause explosive component separation of the upper filter body if safety and operation instructions are not followed. Severe personal injury or death can result.

 **This product should be installed and serviced only by a qualified pool professional.**

TO AVOID COMPONENT SEPARATION

- Follow all safety and operation instructions.
- Do not operate water circulation system if a system component is assembled improperly, damaged, missing, or not a genuine Hayward component.
- Before performing maintenance on the water circulation system, verify all system and pump controls are in OFF position and filter manual air relief valve is in the OPEN position.
- Use ONLY Hayward clamp system components: DEX2421JKIT clamp assembly, DEX2421J2 nut/bolt assembly, and a DEX2422Z2 metal reinforced seal.
Non-Hayward components may fail in use and cause explosive separation.
- Never rely on hand tightening the clamp nut to the clamp bolt. Using a 3/4" socket on a torque wrench, torque clamp nut and clamp bolt to 150 inch-lbs.
- Before starting system pump, insure filter manual air relief valve body is in LOCK position in filter upper body.
- Before starting the system pump, verify that all system valves are set in a position to allow water from the filter to return back to the pool.
- Before starting the system pump, the manual air relief valve must be in the OPEN position.
- When starting pump, do not stand over or near filter.
- If water leakage appears in the area of the filter tank clamp, immediately turn off all system circulation pumps and electrical power. Do not return to the filter until all water flow has stopped. Reassemble the clamp system per the instructions in this owner's manual to stop the leak.
- Return to filter to close manual air relief valve only when a steady stream of water (Not air or air and water mix) is discharged from the manual air relief valve.
- Do not change filter control valve position while system pump is running.

 **WARNING EXCESS PRESSURE HAZARD**

Pressure testing of the pump and filter system in excess of the 50 PSI can cause explosive separation of the components. Component separation can result in severe personal injury or death.

USE ONLY HAYWARD GENUINE REPLACEMENT PARTS



 **WARNING ELECTROCUTION HAZARD**

High Voltage electricity is present in the pool and spa equipment. High voltage electricity can cause shock and electrocution. Shock and electrocution can result in severe personal injury or death.

- All electrical wiring **MUST** be in conformance with applicable local codes, regulations and the National Electrical Code (NEC).
- Before performing any service or maintenance on electrical equipment turn off all electrical power.
- Contact a licensed electrician or building inspector for information on local electrical codes for bonding requirements.
- Verify water discharge from the filter manual air relief valve is directed away from electrical devices. Do not locate pump controls over or near filter.

 **WARNING – SUCTION ENTRAPMENT HAZARD.**

Suction in suction outlets and/or suction outlet covers that are, damaged, broken, cracked, missing, or unsecured can cause severe injury and/or death due to the following entrapment hazards:



Hair Entrapment- Hair can become entangled in suction outlet cover.



Limb Entrapment- A limb inserted into an opening of a suction outlet sump or suction outlet cover that is damaged, broken, cracked, missing, or not securely attached can result in a mechanical bind or swelling of the limb.

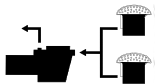


Body Suction Entrapment- A negative pressure applied to a large portion of the body or limbs can result in an entrapment.



Evisceration/ Disembowelment Entrapment- A negative pressure applied directly to the intestines through an unprotected suction outlet sump or suction outlet cover that is, damaged, broken, cracked, missing, or unsecured can result in evisceration/ disembowelment entrapment.

Mechanical Entrapment- There is potential for jewelry, swimsuit, hair decorations, finger, toe or knuckle to be caught in an opening of a suction outlet cover resulting in mechanical entrapment.

**TO REDUCE THE RISK OF ENTRAPMENT HAZARDS:**

- A minimum of two functioning suction outlets per pump must be installed. Suction outlets in the same plane (i.e. floor or wall), must be installed a minimum of three feet (3') [1 meter] apart, as measured from near point to near point.
- Dual suction outlets shall be placed in such locations and distances to avoid “dual blockage” by a user.
- Dual suction outlets shall not be located on seating areas or on the backrest for such seating areas.
- The pool or spa circulation system shall be designed to comply with ANSI/APSP-7 2006.
- Suction outlet covers shall conform to ANSI/ASME A112.19.8
- Never use Pool or Spa if any suction outlet component (cover/grate) is damaged, broken, cracked, missing, or not securely attached.
- Immediately replace damaged, broken, cracked, missing, or not securely attached suction outlet components.
- The CPSP as well as the ICC *International Residential Code* Part IX, Appendix G, Section AG106 specifies the installation of a safety vacuum release system conforming to ASME A112.19.17, or an approved gravity drain system.
- Failure to remove pressure test plugs and/or plugs used in winterization of the pool/spa from the suction outlets can result in an increased potential for suction entrapment.
- Failure to keep suction outlet components clear of debris, such as leaves, dirt, hair, paper and other material can result in an increased potential for suction entrapment.

Suction outlet covers and grates have a finite life. They should be inspected frequently and replaced within specified life.

SAVE THESE INSTRUCTIONS

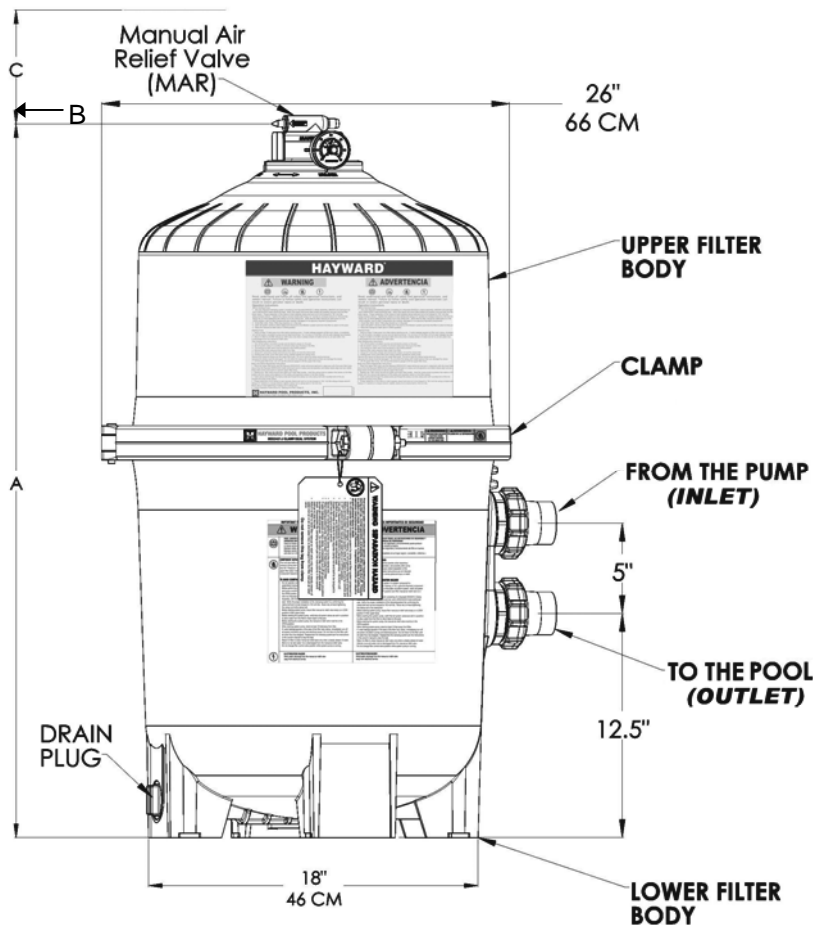
USE ONLY HAYWARD GENUINE REPLACEMENT PARTS

GENERAL INFORMATION

Your Hayward SwimClear™ cartridge filter combines superior water filtration with ease of operation and totally corrosion-resistant construction. With filtration ratings to 9000 gallons (34,000 liters) per hour, they are designed for continuous or intermittent operation, for installation above or below the pool water line, for fresh or salt water swimming pools or spas. SwimClear™ filters utilize multiple reusable, reinforced polyester filter cartridge elements to provide a high degree of water clarity and long filter cycles with minimum care.


	A		REQUIRED CLEARANCE			
			"B" SIDE		"C" ABOVE	
	IN	CM	IN	CM	IN	CM
C2030	32.5	83	18	46	15	38
C3030	34.5	88	18	46	16	41
C4030	40.5	103	18	46	18	46
C5030	46.5	118	18	46	22	56
C7030	52.5	133	18	46	28	71

INSTALLATION



WARNING



 This product should be installed and serviced only by a qualified pool professional.

1. The filter system should be installed on a level concrete slab or other rigid base. Select a well drained and vented area, one that does not flood when it rains. Position the filter so that the piping connections, and winter drain are convenient and accessible for operation, service, maintenance and winterizing.
2. Position filter body such that all operation and safety labels are visible.
3. Position filter so the filter will drain by gravity.
4. If practical, place pump and filter in the shade to shield it from continuous, direct heat from the sun.
5. Connect the pool suction plumbing between the skimmer, pool suction outlet (from the pool) and the pump.
6. Connect the pump discharge (pump OUTLET) to the top port of the filter (filter INLET).
7. Connect the bottom filter port (filter OUTLET) to the pool return plumbing lines.
8. Do not locate pump controls over or near filter.
9. Verify water discharge from the manual air relief valve(MAR) is directed away from electrical devices.

USE ONLY HAYWARD GENUINE REPLACEMENT PARTS



STARTING THE PUMP and FILTER SYSTEM

WARNING

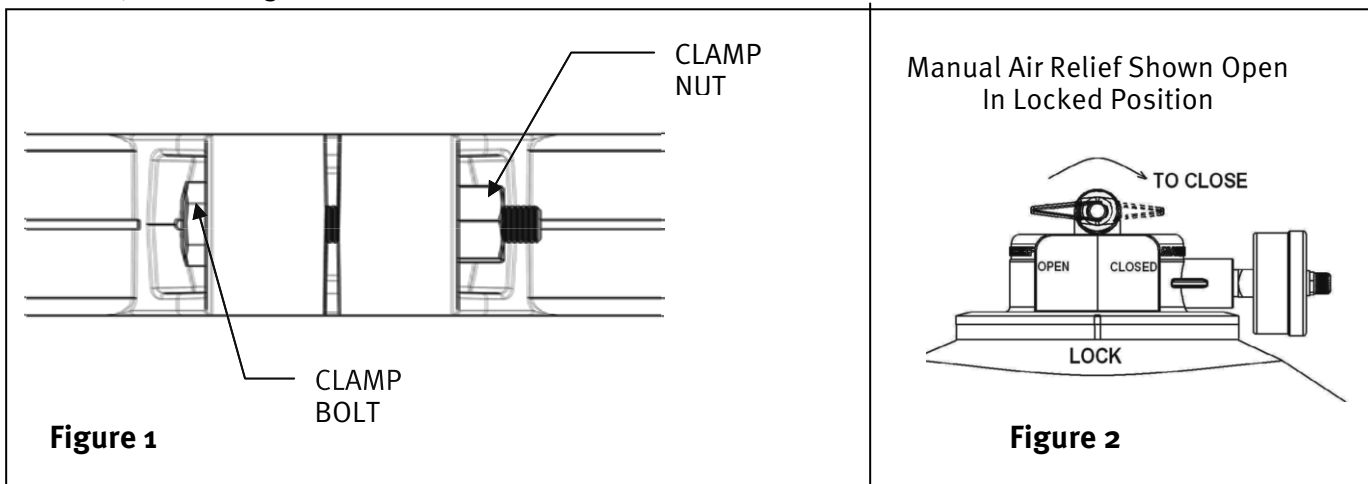


Before Starting the Pump

1. Use ONLY Hayward clamp system components; DEX2421JKIT clamp system, DEX2421J2 nut/bolt assembly, DEX2422Z2 metal reinforced seal. Non-Hayward clamp components may fail in use and cause explosive component separation. Verify that upper and lower filter bodies are properly secured with the filter body clamp. Never rely on hand tightening the clamp nut to the clamp bolt. Using a 3/4" socket on a torque wrench, torque clamp nut to clamp bolt to 150 inch-lbs. (See Fig 1) Verify that the filter manual air relief body is in the LOCK position, and no filter components are missing, damaged or not genuine Hayward components. (See Fig 2)
2. Close filter drain. NOTE: Filter plug requires an o-ring seal. (See Fig 4)
3. Open all system valves to allow water from the pool to the filtration system and from the filter to return to the pool.
4. Place the manual air relief valve in OPEN position. (See Fig 2)

Starting Pump

1. When starting system pump, do not stand over or near filter. If water leakage appears at filter tank clamp, immediately turn off all system circulation pumps and all electrical power. Do not return to the filter until all water leakage has stopped.
Reassemble the clamp system per the instructions on page 7 in this owner's manual to stop leak.
2. Return to filter to CLOSE manual air relief valve only when a steady stream of water (not air or, air and water mix) is discharged from the manual air relief valve.



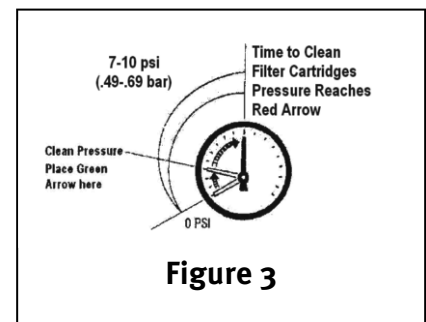
OPERATION

WARNING



FILTERING

Filtration starts as soon as flow is steady through the filter. As the filter removes dirt from the pool water, the accumulated dirt causes a resistance to flow. As a result, the gauge pressure will rise and the flow will decrease. When the pressure rises between 7 and 10 psi (.49 - .69 bar) above the starting pressure, or when the flow decreases below the desired rate, clean or replace the filter cartridge elements. Once your filter is running and there is a pressure reading, line up the green arrow with the current reading. (See Fig 3) When the pressure rises to or above the red or second arrow, it is time to clean or replace your filter cartridge elements.



USE ONLY HAYWARD GENUINE REPLACEMENT PARTS

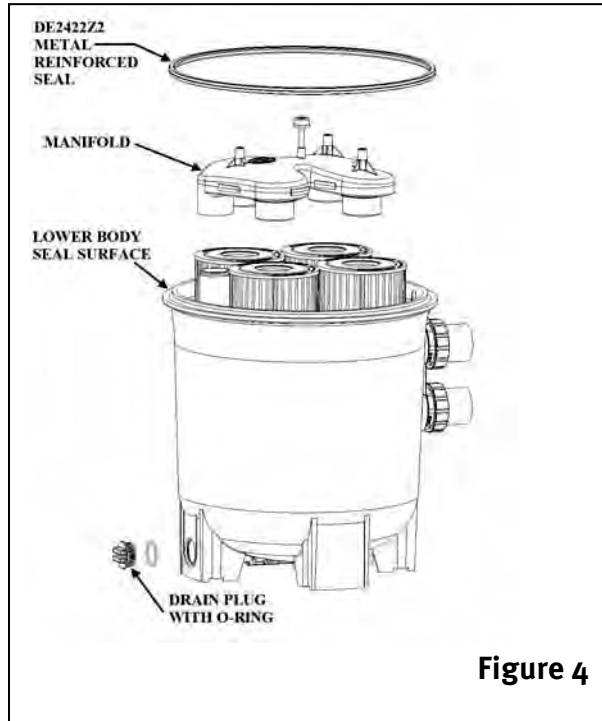


Figure 4

By recording the initial starting pressure (with clean filter elements) a determination can be made when the filter cartridge elements should be replaced rather than cleaned. After the filter elements have been cleaned and reinstalled if the starting pressure is higher than 6 PSI above the starting pressure with the new filter cartridge elements, the filter cartridge elements should be replaced the next time the gauge arrow reaches the red arrow.

MAINTAINING YOUR FILTER



⚠ This product should be installed and serviced only by a qualified pool professional.

FILTER DISASSEMBLY INSTRUCTIONS

1. Turn off all system circulation pumps and all electric power on the equipment pad.
2. Set all system valves in a position to prevent water flow to the filter.
3. The manual air relief valve must be placed in the OPEN

4. Remove filter drain plug (Fig 4) and drain water from filter.
5. Using 3/4" wrenches or hex sockets, loosen and remove the clamp nut and the clamp bolt. (Fig 5)
6. Holding both ends of the filter clamp carefully spread the clamp ends. Remove the clamp by lifting over the upper filter body. Do not drop the clamp during removal, because the clamp could be damaged. Do not strike the clamp with metal tools as they can damage the clamp.
7. Lift off upper filter body. Do not use the pressure gauge to lift the upper filter body.

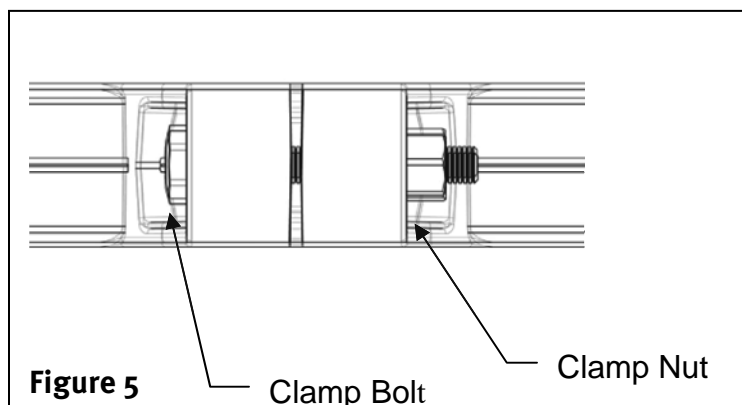


Figure 5

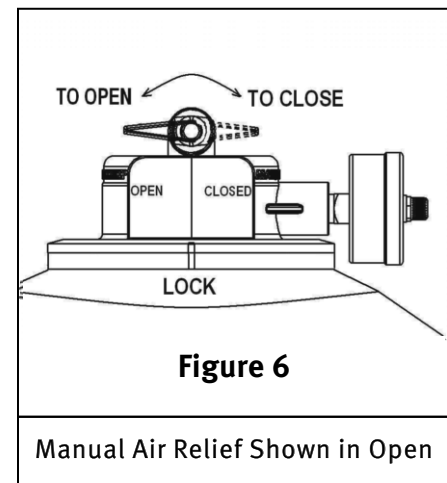


Figure 6

Manual Air Relief Shown in Open

REMOVING CARTRIDGES

1. Remove the top Manifold, which is exposed when the upper filter body is removed. (Fig 4)
2. Remove the filter cartridge elements by using slight rocking motion and lifting up.
3. Clean filter cartridge elements.

CLEANING CARTRIDGES

The Cartridge filter element can be cleaned by washing inside and outside with a garden hose. After hosing cartridge, for best results, carefully brush the pleated surface to remove fine particles. Do not pressure wash as it can damage the filter element.

You may find some debris on the cartridge pleats, which may not have been removed with hosing.

USE ONLY HAYWARD GENUINE REPLACEMENT PARTS

FILTER RE-ASSEMBLY INSTRUCTIONS

⚠ WARNING



RE-INSTALLING CARTRIDGES

1. Flush and drain any dirt or debris from the bottom of the lower filter body.
2. Flush any dirt or debris from the upper filter body and from around the manual air relief area.
3. Carefully replace the cartridges over the hubs on the bottom seal plate.
4. Place top manifold securely on top of cartridges, aligning the return pipe with the port in the manifold.

CLEAN SEAL RING AND SEAL SURFACE

1. Remove filter tank seal.
2. With a clean cloth, wipe the lower filter body seal surface and clean seal of all dirt and debris. (Fig 4) Do not use a solvent.
3. With a clean cloth wipe the upper filter body seal surface.

- ⚠ Notice:**
- Do not use any petroleum solvents to clean filter components.
 - Do not lubricate DEX2422Z2 seal.

⚠ WARNING



- ⚠** This product should be installed and serviced only by a qualified pool professional.

BODY AND CLAMP RE-ASSEMBLY

1. Place the metal reinforced seal on lower filter body. (Fig 4) Place upper filter body on metal reinforced seal and lower filter body in a position which allows all operation and safety labels to be clearly visible and the upper filter body to be centered on the lower filter body. Press down firmly and evenly on the upper filter body to seat the seal. (Fig 7)
2. Replace the filter clamp around the upper and lower filter bodies. Hold the clamp ends to position the clamp on the filter bodies with the clamp ends adjacent to the safety and operation labels on the filter bodies. (Fig 7)
3. Insert clamp bolt through the clamp ends and thread the clamp nut onto clamp bolt with rounded end of the nut (Fig 8) towards the ends of the clamp.
4. Never rely on hand tightening of clamp nut to clamp bolt. Using a 3/4" socket on a torque wrench, torque clamp nut to clamp bolt to 150 inch-lbs. (Fig 9)

- ⚠ DO NOT HIT OR STRIKE CLAMP WITH HAMMER OR METAL TOOLS.**

5. Follow Operation Instructions for "Starting the Pump and Filter System" (Page 5).

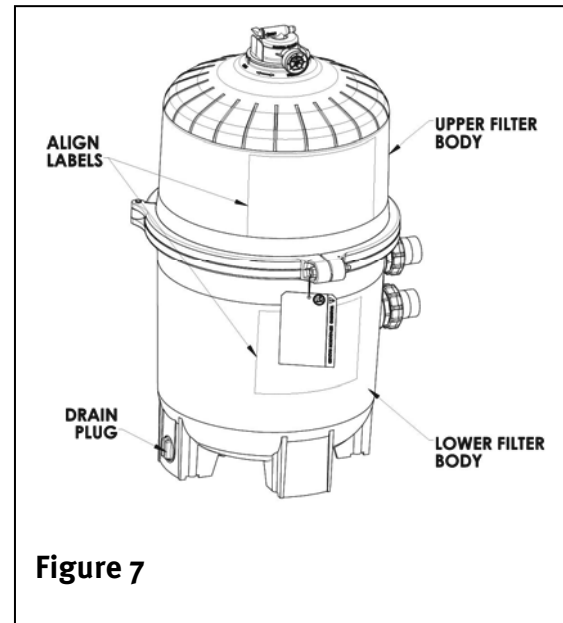


Figure 7

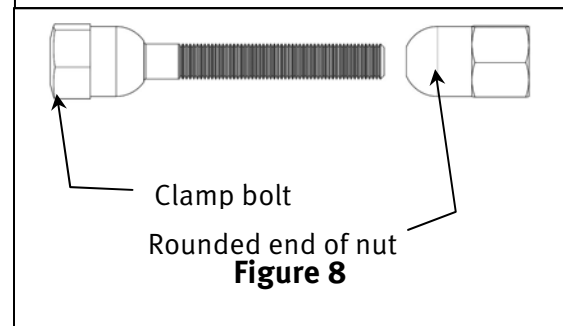


Figure 8

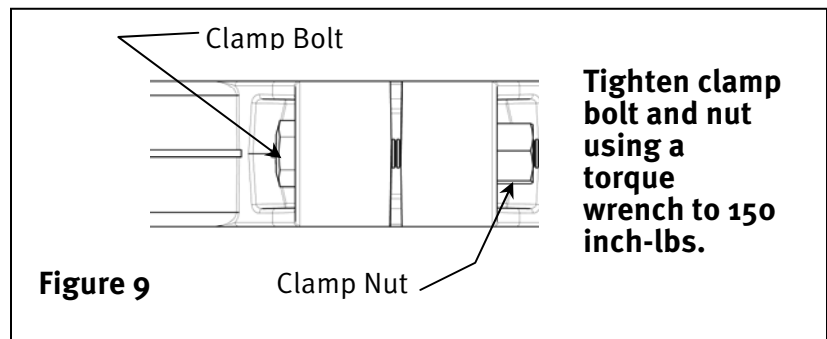


Figure 9

VACUUMING POOL


Vacuuming can be performed directly into the filter whenever needed. Clean cartridges after vacuuming, if required.

USE ONLY HAYWARD GENUINE REPLACEMENT PARTS

REMOVING THE MANUAL AIR RELIEF VALVE

WARNING



 This product should be installed and serviced only by a qualified pool professional.

Your Filter comes with a Manual Air Relief Valve (MAR) pre-installed from the factory.

For Qualified pool professionals only: If MAR valve needs to be serviced, follow these instructions carefully.

1. Turn off all system circulation pumps and all electric power on the equipment pad.
2. Set all system valves in a position to prevent water from flowing to the filter.
3. The manual air relief valve must be placed in the OPEN position.
4. Wait until all water leakage has stopped.
5. Grasp the MAR body at the flats, turn the MAR counterclockwise until the indicator on the on the MAR flange is aligned with the “UNLOCK” position on the upper filter body.
6. Pull straight up to remove the MAR, a slight rocking motion may help.

 This product should be installed and serviced only by a qualified pool professional.

RE-INSTALLATION OF THE MANUAL AIR RELIEF VALVE

1. Check the o-ring seals, replace as needed.
2. With a clean cloth, wipe upper filter body and o-ring groove. Remove all dirt and debris.
3. Align the notch in the MAR Flange with notch on top of the upper filter body.
4. Press the MAR straight down into the upper filter body.
5. Turn the MAR clockwise until the indicator is aligned with the “LOCK” position on the upper filter body.
6. Verify the MAR discharge points away from all electrical connections.

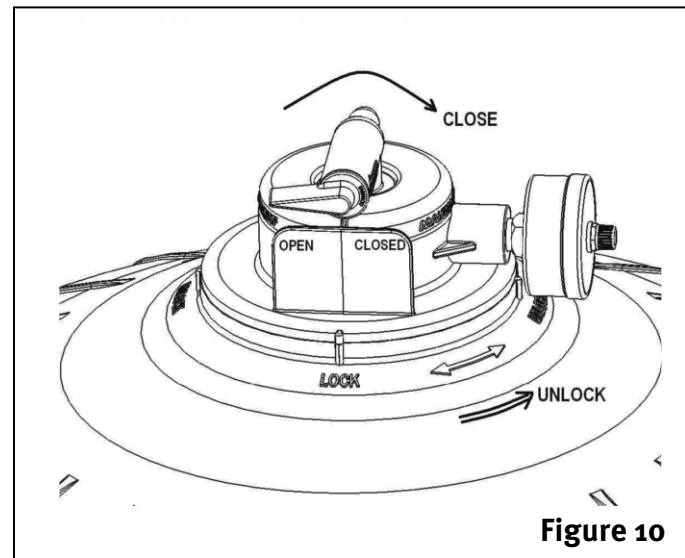


Figure 10


**Manual Air relief Shown Open
In Locked Position
Rotate counterclockwise to UNLOCK**

WINTERIZING FILTER

WARNING



 This product should be installed and serviced only by a qualified pool professional.

 In areas where subfreezing temperatures can be expected, the filter should be drained to protect the filter from damage.

1. The filter should be disassembled and the filter cartridges elements cleaned or replaced.
2. Follow directions under FILTER DISASSEMBLY INSTRUCTIONS
3. Then follow REMOVING CARTRIDGES per instructions
4. Reassemble per FILTER RE-ASSEMBLY INSTRUCTIONS.
5. Be sure to leave the drain plug unattached during the winter season to avoid cracking the filter body.

USE ONLY HAYWARD GENUINE REPLACEMENT PARTS



SERVICE AND REPAIRS

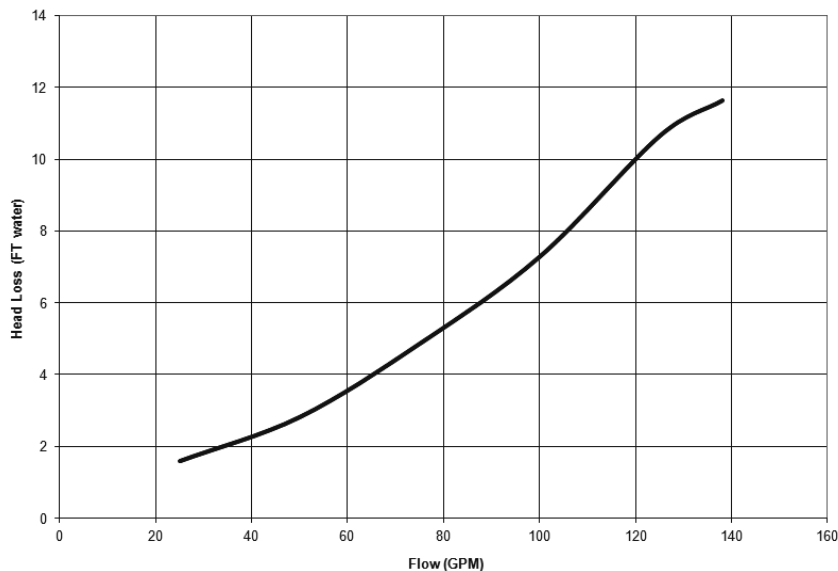
Consult your local authorized Hayward dealer or service center. No returns may be made directly to the factory without the expressed written authorization of Hayward Pool Products.

SUGGESTED POOL CHEMISTRY LEVELS	
pH	7.2 to 7.8
TOTAL ALKALINITY	80 to 120 ppm
CALCIUM HARDNESS	200 to 400 ppm
COMBINED CHLORINE	.2 ppm Maximum
CHLORINE (STABILIZED)	1.0 to 3.0 ppm
CHLORINE STABILIZER (Cyanuric Acid)	60 to 80 ppm

PROBLEM SOLVING LIST

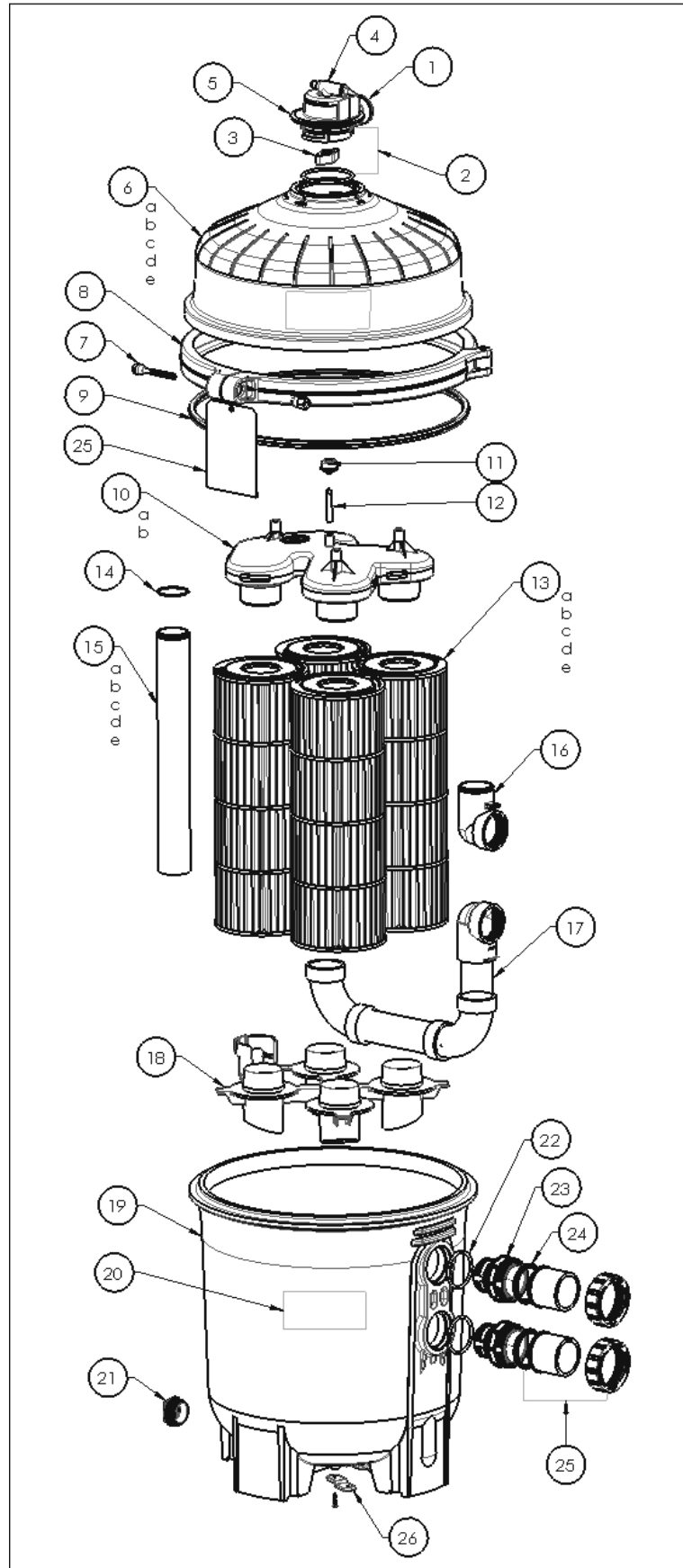
REMEDY	LOW WATER FLOW	SHORT FILTER CYCLES	POOL WATER WON'T CLEAR UP
	<ol style="list-style-type: none"> 1. Check skimmer and pump strainer baskets for debris. 2. Check for restrictions in intake and discharge lines. 3. Check for air leak in intake line (indicated by bubbles returning to pool). 	<ol style="list-style-type: none"> 1. Check for algae in pool and super-chlorinate as required. 2. Be sure chlorine and pH levels are in proper range (adjust as required). 	<ol style="list-style-type: none"> 1. Check chlorine, pH and total alkalinity levels and adjust as required. 2. Be sure flow rate through filter is sufficient. 3. Operate filter for longer periods.

Head Loss Top Manifold



USE ONLY HAYWARD GENUINE REPLACEMENT PARTS

Item	Part No.	Description
1	ECX2712B1	Pressure Gauge
2	DEX2420Z8A	O-Ring Kit (Set of 2)
3	CCX1000N	Air Relief Valve Nut
4	CCX1000V	Manual Air Relief w/O-Ring
5	DEX2420MAR2	Manual Air Relief Assembly
6a	DEX2420BTC	Upper Filter Body C2030
6b	DEX3620BTC	Upper Filter Body C3030
6c	DEX4820BTC	Upper Filter Body C4030
6d	DEX6020BTC	Upper Filter Body C5030
6e	DEX7220BTC	Upper Filter Body C7030
7	DEX2421J2	Clamp Bolt & Nut
8	DEX2421JKIT	Clamp System including: Clamp, Clamp Nut and Bolt, Hang tag, Metal Reinforced Seal, and Labels
9	DEX2422Z2	Metal Reinforced Seal
10a	CX3030C	Top Manifold for C2030, C3030 and C4030
10b	CX5030C	Top Manifold for C5030, and C7030
11	CX3000J1	Air Relief Filter
12	CX2030Z3	Air Relief Tube
13a	CX481XRE	Cartridge Element C2030 1 of 4 Required
	CX481XREPAK4	Cartridge 4 pack C2030
13b	CX580XRE	Cartridge Element C3030 1 of 4 Required
	CX580XREPAK4	Cartridge 4 Pack C3030
13c	CX880XRE	Cartridge Element C4030 1 of 4 Required
	CX880XREPAK4	Cartridge 4 Pack C4030
13d	CX1280XRE	Cartridge Element C5030 1 of 4 Required
	CX1280XREPAK4	Cartridge 4 Pack C5030
13e	CX591XRE	Cartridge Element C7030 1 of 8 Required
	CX591XREPAK4	Cartridge 4 Pack C7030 1 of 2 Required
	CX7020M	Mid plate Connector C7000 series only
14	DEX2400Z5	O-Ring
15a	CX3031F6	Outlet Pipe C2030
15b	CX3031F7	Outlet Pipe C3030
15c	CX3031F8	Outlet Pipe C4030
15d	CX3031F9	Outlet Pipe C5030
15e	CX3031F10	Outlet Pipe C7030
16	CX3030F	Inlet Elbow
17	CX3030H	Assy, SwimClear Piping
18	CX3030D	Bottom Seal Plate
19	DEX2420ATC	Lower Filter Body
20	DEX2420LA6PAK	Label Pack: Includes all Warning and Operation Label's Hang Tag, Wire Tie and Owner's Manual
21	SP1022CBLK	1 1/2" Drain Plug w/O-Ring
22	SX220Z2	O-ring
23	CX3035F	Bulkhead Fitting
24	SPX3200UG	Union Gasket (T-seal)
25	SPX3200UNKIT	Union Connection Kit (includes Nut, Connector, Gasket)
26	DEX2420DCKIT	Strap kit (Optional)



USE ONLY HAYWARD GENUINE REPLACEMENT PARTS



HAYWARD® LIMITED WARRANTY

To Buyer, as original purchaser of this equipment, Hayward Pool Products, 620 Division Street, Elizabeth, New Jersey, warrants its products free from defects in materials and workmanship for a period of **ONE (1)** year from the date of purchase.

Parts which fail or become defective during the warranty period, except as a result of freezing, negligence, improper installation, use, or care, shall be repaired or replaced, at our option, without charge, within 90 days of the receipt of defective product, barring unforeseen delays.

To obtain warranty replacements or repair, defective components or parts should be returned, transportation paid, to the place of purchase, or to the nearest authorized Hayward service center. For further Hayward dealer or service center information, contact Hayward customer service department. No returns may be made directly to the factory without the express written authorization of Hayward Pool Products.

All other conditions and terms of the standard warranty apply.

Hayward shall not be responsible for cartage, removal and/or reinstallation labor or any other such costs incurred in obtaining warranty replacements.

The Hayward Pool Products warranty does not apply to components manufactured by others. For such products, the warranty established by the respective manufacturer will apply.

Some states do not allow a limitation on how long an implied warranty lasts, or the exclusion or limitation of incidental or consequential damages, so the above limitation or exclusion may not apply to you.

This warranty gives you specific legal rights, and you may also have other rights, which vary from state to state.

***Supersedes all previous publications.**

**Hayward Pool Products
620 Division Street
Elizabeth, NJ 07207**

USE ONLY HAYWARD GENUINE REPLACEMENT PARTS



SwimClear^{MC}

par **HAYWARD**^{MD}

Manuel de l'utilisateur



Modèles C2030 C3030 C4030 C5030 C7030 FILTRÉS À CARTOUCHES À COLLECTEUR SUPÉRIEUR

MODÈLE	VITESSE DE FILTRATION EFFECTIVE		DÉBIT NOMINAL	
	PI ²	M ²	Résidentiel GPM	Commercial L/MN
C2030	225	20,9	84	318
C3030	325	30,2	122	462
C4030	425	39,5	150	568
C5030	525	48,8	150	568
C7030	680	63,2	150	568

PRESSION D'UTILISATION MAXIMALE POUR TOUS LES MODÈLES : 3,45 BARS (50 PSI)

ATTENTION, INSTALLATEUR : CE MANUEL CONTIENT DES INFORMATIONS IMPORTANTES CONCERNANT LE FONCTIONNEMENT ET L'UTILISATION EN TOUTE SÉCURITÉ DE CE PRODUIT.
CE MANUEL EST DESTINÉ À L'UTILISATEUR FINAL DE CE PRODUIT.

Hayward Pool Products
620 Division Street, Elizabeth, NJ 07207, É.-U.
Téléphone : (908) 351.5400
www.haywardnet.com

▲ Ceci est le symbole de mise en garde. Lorsque vous voyez ce symbole sur le produit ou dans le manuel, vérifiez si l'un des mots ci-dessous est affiché et prenez toutes les précautions d'usage pour éviter de vous exposer à des risques de blessure, voire de danger mortel.

▲ **AVERTISSEMENT** – signale des dangers potentiels qui, s'ils sont ignorés, pourraient provoquer des dommages corporels grave, le décès, ou des dégâts matériels importants.

▲ **ATTENTION** – signale des dangers potentiels qui, s'ils sont ignorés, causent ou peuvent causer des dommages corporels ou des dégâts matériels légers à modérés. Met également en garde contre des actions aux conséquences imprévisibles ou dangereuses.

L'étiquette **AVIS/NOTICE** comporte des instructions particulières importantes mais non liées à des dangers.



▲ **LIRE, COMPRENDRE ET SUIVRE TOUTES LES CONSIGNES DE SÉCURITÉ ET DE FONCTIONNEMENT.** LE NON-RESPECT DES INSTRUCTIONS DE SÉCURITÉ ET D'UTILISATION PEUT ENTRAÎNER DES BLESSURES GRAVES, VOIRE LE DÉCÈS.

▲ **ATTENTION** – Pour réduire les risques de blessures : ne pas permettre aux enfants d'utiliser cet article ni de grimper dessus. Surveiller de près les enfants à tout moment. La norme ANSI/NSPI-4 (piscines hors sol et sur sol) recommande que les éléments tels que le système de filtration, les pompes et les chauffe-eau soient placés de manière à empêcher que les jeunes enfants ne s'en servent pour accéder au bassin.



▲ **AVERTISSEMENT – DANGER DE SÉPARATION DES COMPOSANTS**

Les circuits de circulation d'eau des piscines et des spas fonctionnent sous des pressions élevées au démarrage, pendant le fonctionnement normal et potentiellement à l'arrêt de la pompe. La pression dans le système peut entraîner la violente séparation de la partie supérieure du filtre si les consignes de sécurité et de fonctionnement ne sont pas observées. Ceci peut entraîner des blessures graves, voire mortelles.

▲ **La pose et la réparation de ce produit doivent être confiées à un professionnel qualifié.**

POUR ÉVITER LA SÉPARATION DES COMPOSANTS

- Suivre toutes les instructions de sécurité et d'utilisation.
- Ne pas faire circuler l'eau de la piscine ou du spa si un élément du système est assemblé incorrectement, endommagé, manque ou n'est pas une pièce d'origine Hayward.
- Avant toute intervention d'entretien sur le système de circulation d'eau, toutes les commandes du système et de la pompe doivent être en position d'ARRÊT et le purgeur manuel du filtre en position OUVERTE (OPEN).
- Utiliser UNIQUEMENT les éléments de collier de serrage Hayward : collier de serrage DEX2421JKIT, boulon/écrou DEX2421J2 et joint à renfort métallique DEX2422Z2. Des éléments autres que ceux proposées par Hayward pourront se briser et exploser.
- Ne jamais se contenter de serrer l'écrou du boulon à la main. À l'aide d'une douille de 19 mm (3/4 pouce) et d'une clé dynamométrique, serrer à un couple de 17 N.m (150 pouces-livres).
- Avant de démarrer la pompe, s'assurer que le purgeur se trouvant dans la partie supérieure du corps du filtre est en position VERROUILLÉE (LOCK).
- Avant de démarrer la pompe, s'assurer que toutes les vannes du circuit sont sur une position permettant à l'eau du système de revenir vers le bassin.
- Avant de démarrer la pompe, s'assurer que le purgeur est impérativement en position OUVERTE (OPEN).
- Ne pas se tenir au-dessus ou à proximité du filtre au moment de démarrer la pompe.
- En cas de fuite au niveau du collier de serrage de la cuve du filtre, arrêter immédiatement les pompes du système de circulation d'eau et couper l'alimentation électrique. Ne pas se rapprocher du filtre avant que tout écoulement d'eau ait cessé. Réassembler le collier de serrage conformément aux consignes de montage de ce manuel pour arrêter la fuite.
- Retourner au filtre pour fermer le purgeur manuel uniquement si le débit de l'eau au niveau du purgeur est devenu régulier (il ne sort plus d'air ni de mélange d'eau et d'air).
- Ne pas modifier la position des vannes de commande du filtre durant le fonctionnement de la pompe.



▲ **AVERTISSEMENT – DANGER DE PRESSION EXCESSIVE**

Les tests de pression de la pompe et du système de filtration faisant appel à une pression supérieure à 3,45 bars (50 PSI) peuvent provoquer la séparation des éléments et en conséquence des blessures graves, voire mortelles.

UTILISER UNIQUEMENT DES PIÈCES HAYWARD D'ORIGINE

AVERTISSEMENT – DANGER D'ÉLECTROCUTION



Le matériel de piscine et spa est alimenté en électricité haute tension. L'électricité haute tension peut provoquer une décharge électrique et l'électrocution, avec des conséquences graves, voire mortelles.

- L'ensemble du câblage électrique doit IMPÉRATIVEMENT être conforme à la réglementation en vigueur ainsi qu'au code d'électricité local.
- Avant toute opération d'entretien ou réparation sur le matériel électrique, couper l'alimentation électrique.
- Consulter également un électricien agréé ou un inspecteur du bâtiment concernant les exigences de mise à la terre conforme à la réglementation en vigueur.
- Vérifier que le purgeur manuel est orienté dans la direction opposée à tout matériel électrique.
Ne pas placer les commandes de la pompe au-dessus ou à proximité du filtre.

AVERTISSEMENT – DANGER D'ASPIRATION DANGEREUSE



L'aspiration dans les bouches d'aspiration ou dans des couvercles de bouche d'aspiration qui sont endommagés, cassés, fêlés, manquants ou mal fixés présente les risques de blessures graves ou de mort par les points suivants:



Attrapement des cheveux – Les cheveux peuvent être pris dans le couvercle de bouche d'aspiration.



Capturé un membre – L'introduction d'un bras ou d'une jambe dans l'ouverture d'une cuve de bouche d'aspiration ou d'un couvercle de bouche d'aspiration qui est endommagé, cassé, fissuré, manquant ou mal fixé présente un risque que le membre se trouve ou gonfle sous l'effet de l'aspiration.



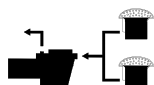
Capturé attiner le corps par aspiration – Une aspiration appliquée sur une surface importante du corps ou des membres peut mettre la personne dans l'impossibilité de se dégager.



Eviscération par aspiration – Une aspiration appliquée directement aux intestins à partir d'une cuve de bouche d'aspiration non protégée ou d'un couvercle de bouche d'aspiration qui est endommagé, cassé, fissuré, manquant ou mal fixé présente un risque d'éviscération.

Coinçage mécanique – Bijoux, maillots de bain, accessoires de coiffure, doigts, orteils ou articulations de doigts happés dans une ouverture d'un couvercle de bouche d'aspiration peuvent causer un coinçage mécanique.

POUR RÉDUIRE LES RISQUES D'ASPIRATION:



- Un minimum de deux bouches d'aspiration opérationnelles doivent impérativement être installées par pompe. Des bouches d'aspiration posées dans un même plan (fond ou paroi latérale) doivent être espacées d'un minimum de 0,91 mètre (3 pieds) mesuré entre les deux points les plus proches.
- Deux raccords d'aspiration doivent être posés à des emplacements et des distances tels qu'une « double obturation » par un même utilisateur n'est pas possible.
- Ne pas placer les raccords d'aspiration doubles dans des zones prévues pour s'asseoir ni dans les dossiers de telles zones.
- Le système de circulation d'eau de la piscine ou du spa doit être conçu de façon à satisfaire à la norme ANSI/APSP-7 2006.
- Les couvercles de bouche d'aspiration doivent être conformes à la norme ANSI/ASME A112.19.8
- Ne jamais utiliser la piscine ou le spa si l'une quelconque des pièces de bouche d'aspiration (couvercle/grille) est endommagée, cassée, fissurée, manquante ou mal fixée.
- Changer immédiatement les pièces de bouche d'aspiration endommagées, cassées, fissurées, manquantes ou mal fixées.
- Le CPSP et le code résidentiel international ICC *International Residential Code* Partie IX, Appendice G, Article AG106, exige l'installation d'un dispositif de sécurité casse-vide conforme au code A112.19.17 de l'ASME ou d'un système de vidange par gravité homologué.
- Le non-retrait des bouchons d'essai et/ou des bouchons utilisés pour obturer les bouches d'aspiration pour l'hiver peut augmenter les risques de piégeage par aspiration.
- Des bouches d'aspiration dont les débris tels que feuilles, saleté, cheveux, papiers ou autres n'ont pas été éliminés peuvent augmenter les risques de piégeage par aspiration.

Les couvercles et les grilles des bouches d'aspiration ont une durée de vie déterminée. Les inspecter fréquemment et les remplacer dans les limites de la durée de vie prévue.

CONSERVER CE MANUEL

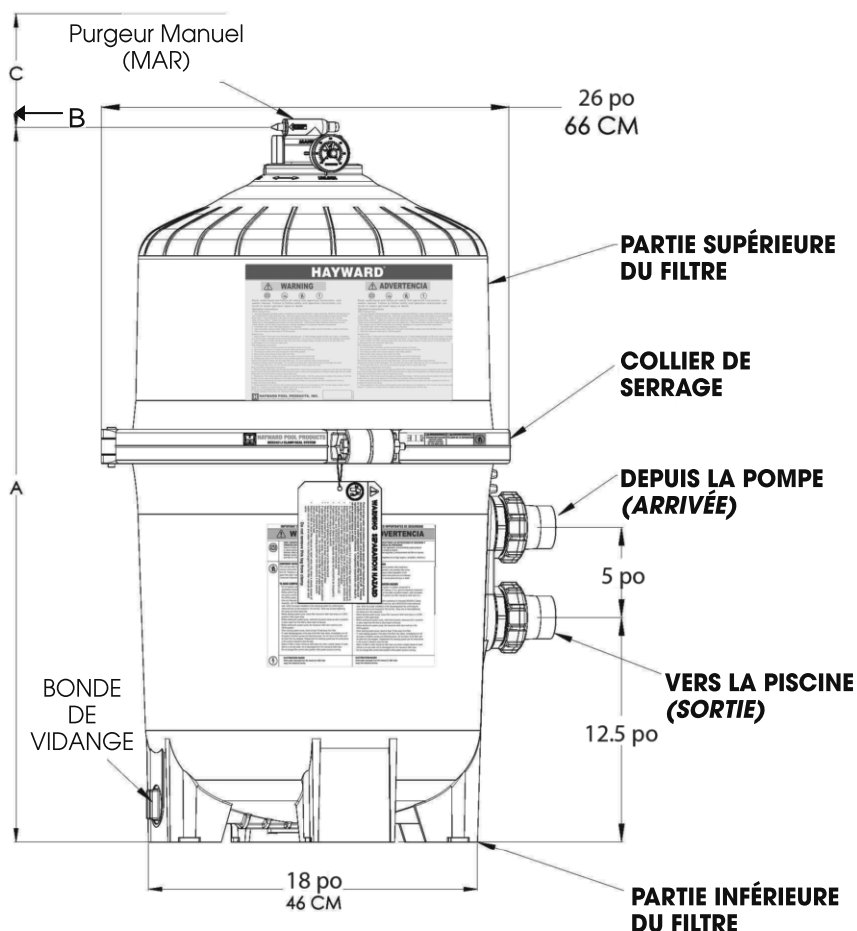
UTILISER UNIQUEMENT DES PIÈCES HAYWARD D'ORIGINE

INFORMATIONS D'ORDRE GÉNÉRAL

Votre filtre à cartouches Hayward SwimClearMC, entièrement en matériau résistant à la corrosion, allie la facilité d'utilisation à une filtration de l'eau d'une qualité incomparable. Avec une capacité nominale de filtration de 34 000 litres (9 000 gallons) d'eau par jour, il est conçu pour fonctionner de façon continue ou intermittente, pour une installation au-dessus ou au-dessous du niveau de l'eau de la piscine, avec les piscines ou les spas d'eau fraîche ou salée. Les filtres SwimClearMC utilisent de multiples éléments de cartouche réutilisables en polyester renforcé afin d'assurer, avec le minimum d'intervention, un haut degré de limpidité de l'eau et des cycles de filtration prolongés.

	A		DÉGAGEMENT NÉCESSAIRE			
			SUR LE CÔTÉ B		AU-DESSUS (C)	
	PO	CM	PO	CM	PO	CM
C2030	32,5	83	18	46	15	38
C3030	34,5	88	18	46	16	41
C4030	40,5	103	18	46	18	46
C5030	46,5	118	18	46	22	56
C7030	52,5	133	18	46	28	71

INSTALLATION



POSE AVERTISSEMENT



⚠ La pose et la réparation de ce produit doivent être confiées à un professionnel qualifié.

1. Le système de filtration devra être installé sur une dalle en ciment ou autre socle rigide qui soit de niveau. Choisir un endroit bien sec et bien aéré où l'eau ne s'accumule pas lorsqu'il pleut. Placer le filtre de façon à ce que le raccordement aux conduits, et la vidange pour l'hivernage, soient faciles à réaliser ; le placer également de façon à permettre un maximum d'accessibilité pour l'utilisation, l'entretien, le dépannage et la préparation pour l'hiver.
2. Positionner le filtre de façon à ce que les étiquettes de fonctionnement et de sécurité soient clairement visibles.
3. Positionner le filtre de façon à ce qu'il se vide par gravité.
4. Autant que possible, placer la pompe et le filtre à l'ombre pour les protéger de la chaleur directe continue du soleil.
5. Raccorder les conduites d'aspiration de la piscine entre le skimmer, la sortie de la bouche d'aspiration de la piscine (en provenance de la piscine) et la pompe.

6. Raccorder la sortie de la pompe (SORTIE/OUTLET de la pompe) à l'orifice supérieur du filtre (ARRIVÉE/INLET du filtre).
7. Raccorder l'orifice inférieur du filtre (SORTIE/OUTLET du filtre) aux conduites de retour d'eau vers la piscine.
8. Ne pas placer les commandes de la pompe au-dessus ou à proximité du filtre.
9. Vérifier que le purgeur manuel est orienté dans la direction opposée à tout matériel électrique.

UTILISER UNIQUEMENT DES PIÈCES HAYWARD D'ORIGINE

MISE EN MARCHÉ DE LA POMPE et DU SYSTÈME DE FILTRATION

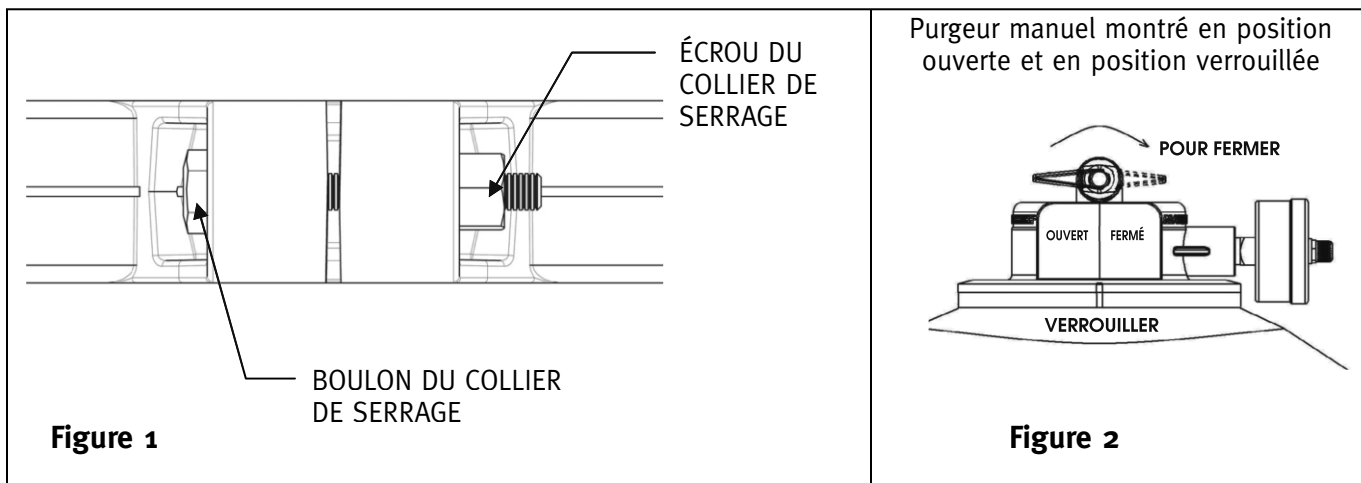


Avant de lancer la pompe

1. Utiliser **UNIQUEMENT** des pièces de collier de serrage Hayward : collier de serrage DEX2421JKIT, ensemble boulon/écrou DEX2421J2, joint à renfort métallique DEX2422Z2. Des pièces autres que celles proposées par Hayward pourront se briser et provoquer une séparation violente des éléments. Vérifier que le collier de serrage assure fermement la jonction de la partie supérieure et de la partie inférieure du filtre. Ne jamais se contenter de serrer l'écrou sur le boulon à la main. Utiliser une douille de 19 mm (3/4 po) et une clé dynamométrique pour serrer l'écrou sur le boulon à un couple de 17 N.m (150 pouces-livres). (Voir la figure 1.) S'assurer que le purgeur manuel est bien à la position verrouillée (LOCK) et qu'aucune des pièces du filtre ne manque, n'est endommagée ou n'est pas une pièce d'origine Hayward. (Voir la figure 2.)
2. Boucher l'orifice de vidange du filtre. **REMARQUE** : le bouchon du filtre exige l'utilisation d'un joint torique. (Voir la figure 4.)
3. Ouvrir toutes les vannes pour amener l'eau de la piscine dans le circuit de filtration et permettre ensuite son retour dans la piscine.
4. Tourner le purgeur manuel en position ouverte (OPEN). (Voir la figure 2.)

Démarrage de la pompe

1. Ne pas se tenir au-dessus ou à proximité du filtre au moment de démarrer la pompe. En cas de fuite au niveau du collier de serrage, éteindre immédiatement les pompes du circuit de circulation d'eau et couper l'alimentation électrique. Ne pas se rapprocher du filtre avant que tout écoulement d'eau ait cessé. Remonter le collier de serrage conformément aux consignes de montage de la page 7 de ce manuel pour arrêter la fuite.
2. Retourner au filtre pour fermer le purgeur manuel (CLOSED) uniquement une fois le débit de l'eau au niveau du purgeur devenu régulier (il ne sort plus d'air ni de mélange d'eau et d'air).



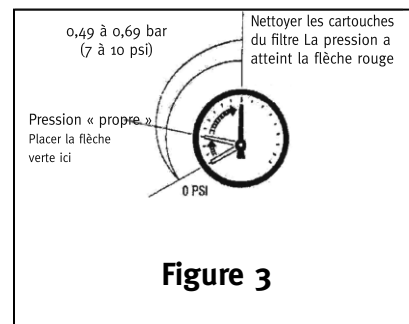
FONCTIONNEMENT



FILTRATION

La filtration commence dès que le débit de l'eau devient régulier dans le filtre. Au fur et à mesure que le filtre retire des impuretés de l'eau de la piscine, celles-ci l'encrassent et produisent une résistance à l'écoulement. Il en résulte que la pression monte au manomètre tandis que le débit diminue. Lorsque la pression arrive entre 0,49 et 0,69 bar (7 et 10 psi) au-dessus de la pression de départ ou que le débit d'eau devient inférieur au débit désiré, nettoyer ou remplacer les éléments de cartouche du filtre. Une fois que le filtre reprend la filtration et que le manomètre indique une pression, aligner la flèche verte sur la pression indiquée. (Voir la figure 3.) Lorsque la pression arrive à la flèche rouge (deuxième flèche) ou au-dessus, il est temps de nettoyer ou de remplacer les éléments de cartouche du filtre.

UTILISER UNIQUEMENT DES PIÈCES HAYWARD D'ORIGINE



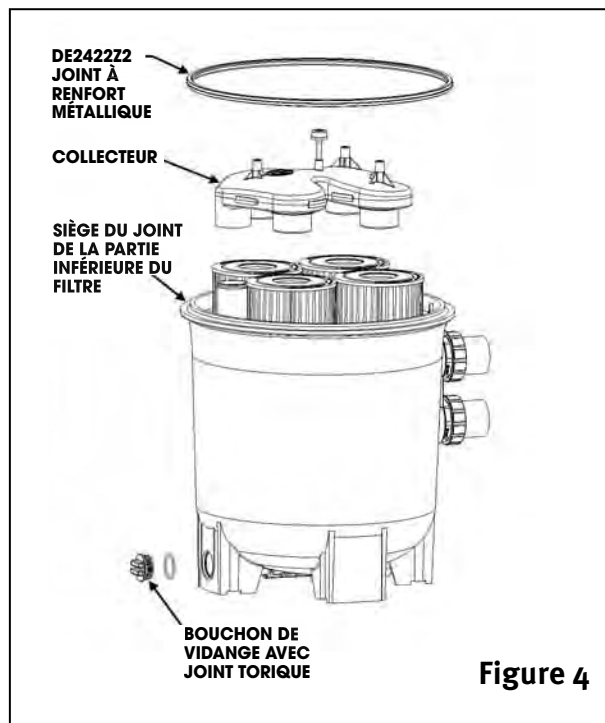


Figure 4

En notant la pression de départ initiale (avec des éléments de filtre propres), il est possible de déterminer quand il faudra remplacer les éléments de cartouche plutôt que les nettoyer. Si, une fois les éléments du filtre nettoyés et remontés, la pression de départ dépasse de 0,41 bar (6 psi) la pression de départ lorsque les éléments du filtre étaient neufs, il faudra remplacer les éléments de cartouche du filtre la prochaine fois que le manomètre atteint la flèche rouge.

ENTRETIEN DU FILTRE



AVERTISSEMENT La pose et la réparation de ce produit doivent être confiées à un professionnel qualifié.

DÉMONTAGE DU FILTRE

1. Arrêter toutes les pompes de circulation et couper toute alimentation électrique aux équipements.
2. Régler toutes les vannes du système sur une position ne permettant pas le passage d'eau dans le filtre.
3. Le purgeur manuel doit être mis à la position ouverte (OPEN). (Voir la figure 6.)

4. Retirer le bouchon de vidange du filtre (figure 4) et vider l'eau du filtre.
5. À l'aide de clés ou de douilles à six pans de 19 mm (3/4 po), desserrer et retirer le boulon et l'écrou du collier de serrage. (Voir la figure 5.)
6. Tout en tenant les deux extrémités du collier de serrage du filtre, écarter délicatement les deux extrémités du collier. Retirer le collier en le soulevant au-dessus de la partie supérieure du filtre. Faire attention à ne pas faire tomber le collier pendant le démontage car il pourrait se trouver endommagé. Ne pas frapper le collier de serrage à l'aide d'outils métalliques car il pourrait se trouver endommagé.
7. Enlever la partie supérieure du filtre en soulevant. Ne pas saisir la partie supérieure du filtre par le manomètre pour la soulever.

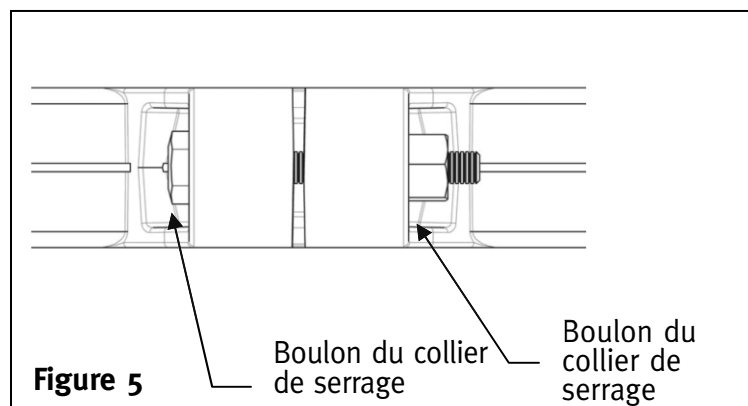


Figure 5

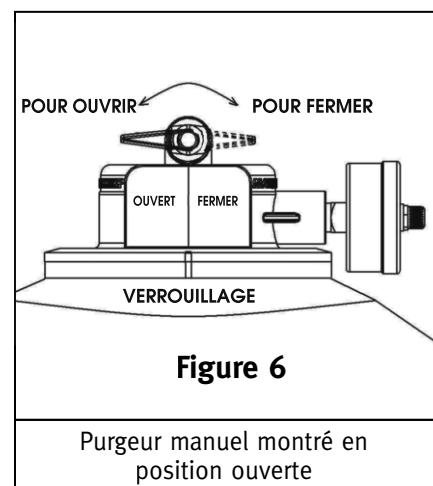


Figure 6

Purgeur manuel montré en position ouverte

RETRAIT DES CARTOUCHES

1. Retirer le collecteur supérieur, visible lorsque la partie supérieure du filtre est enlevée. (Voir la figure 4.)
2. Retirer les éléments de cartouche du filtre : les faire légèrement basculer d'un côté à l'autre pour les dégager et soulever.
3. Nettoyer les éléments de cartouche du filtre.

NETTOYAGE DES CARTOUCHES

L'élément de filtrage de la cartouche peut se nettoyer en lavant l'intérieur et l'extérieur au jet (tuyau d'arrosage). Pour un meilleur résultat, après l'avoir nettoyée au jet, brosser délicatement la surface plissée de la cartouche pour en retirer les fines particules restantes. Ne pas la laver au jet à haute pression car cela pourrait endommager l'élément.

Il pourra rester quelques débris dans les plis de la cartouche qui n'ont pas été enlevés au jet.

UTILISER UNIQUEMENT DES PIÈCES HAYWARD D'ORIGINE

REMONTAGE DU FILTRE



AVERTISSEMENT

RÉINSTALLATION DES CARTOUCHES

1. Rincer et vidanger tous débris ou impuretés du fond de la partie inférieure du filtre.
2. Rincer et vidanger tous débris ou impuretés de la partie supérieure du filtre et du pourtour du purgeur manuel.
3. Remettre délicatement les cartouches en place sur les supports de la plaque d'étanchéité du fond.
4. Placer le collecteur supérieur fermement en place sur le dessus des cartouches en alignant la conduite de retour sur l'orifice du collecteur.

NETTOYAGE DE LA BAGUE DU JOINT ET DU SIÈGE DU JOINT

1. Retirer le joint de la cuve du filtre.
2. À l'aide d'un linge propre, essuyer le siège du joint de la partie inférieure du filtre et nettoyer tous débris ou impuretés présents sur le joint. (Voir la figure 4.) Ne pas utiliser de solvant.
3. À l'aide d'un linge propre, essuyer le siège du joint de la partie supérieure du filtre.

- ⚠ Avis:**
- Ne pas utiliser de solvant à base de pétrole pour nettoyer les éléments du filtre.
 - Ne pas lubrifier le joint DEX2422Z2.



AVERTISSEMENT

- ⚠** La pose et la réparation de ce produit doivent être confiées à un professionnel qualifié.

REMONTAGE DU FILTRE ET DU COLLIER DE SERRAGE

1. Placer le joint à renfort métallique sur la partie inférieure du filtre (figure 4). Placer la partie supérieure du filtre sur le joint à renfort métallique en centrant la partie supérieure sur la partie inférieure et en orientant la partie inférieure de façon à permettre de voir clairement les étiquettes d'utilisation et de sécurité. Appuyer fermement et uniformément sur la partie supérieure pour installer le joint fermement en place. (Voir la figure 7.)
2. Remettre le collier de serrage autour de la partie supérieure et de la partie inférieure du filtre. Positionner le collier de serrage sur les deux parties du filtre en le prenant par ses extrémités, qui doivent être placées adjacentes aux étiquettes d'utilisation et de sécurité apposées sur le filtre. (Voir la figure 7.)
3. Insérer le boulon dans les extrémités du collier de serrage et visser l'écrou sur le boulon en orientant l'extrémité arrondie de l'écrou (figure 8) vers les extrémités du collier de serrage.
4. Ne jamais se contenter de serrer l'écrou sur le boulon à la main. Utiliser une douille de 19 mm (3/4 po) et une clé dynamométrique pour serrer l'écrou sur le boulon à un couple de 17 N.m (150 pouces-livres). (Voir la figure 9.)

⚠ NE PAS TAPPER OU HEURTER LE COLLIER AVEC UN MARTEAU OU DES OUTILS MÉTALLIQUES.

5. Procéder tel qu'indiqué sous « Mise en marche de la pompe et du système de filtration » (page 5).

NETTOYAGE DE LA PISCINE PAR ASPIRATION

Il est possible d'effectuer le nettoyage par aspiration directement dans le filtre chaque fois que nécessaire. Nettoyer ensuite les cartouches s'il y a lieu.

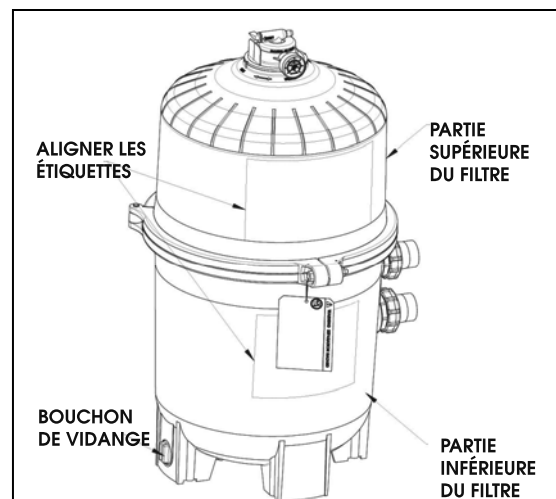


Figure 7

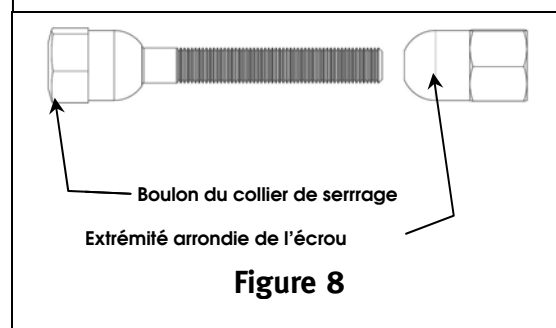


Figure 8

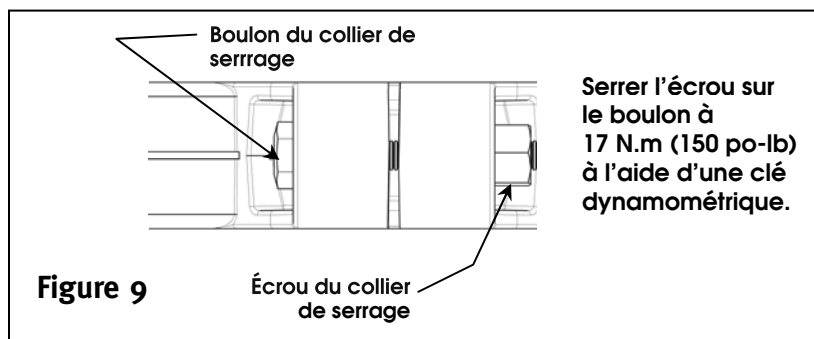


Figure 9

DÉMONTAGE DU PURGEUR MANUEL



AVERTISSEMENT

⚠ La pose et la réparation de ce produit doivent être confiées à un professionnel qualifié.

Le filtre est équipé d'un purgeur manuel pré-installé en usine.
À l'intention des professionnels de piscine uniquement : si une intervention est nécessaire sur le purgeur, procéder comme suit en suivant attentivement les indications fournies.

1. Arrêter toutes les pompes de circulation et couper toute alimentation électrique aux équipements.
2. Régler toutes les vannes du système sur une position ne permettant pas le passage d'eau dans le filtre.
3. Le purgeur manuel doit être mis à la position ouverte (OPEN).
4. Attendre la fin de tout écoulement d'eau.
5. Saisir le purgeur par les méplats, le faire tourner dans le sens contraire à celui des aiguilles d'une montre jusqu'à ce que l'indicateur de la bride s'aligne sur la position de déverrouillage (DÉVERROUILLAGE) de la partie supérieure du filtre.
6. Retirer le purgeur en tirant tout droit vers le haut et en le faisant légèrement basculer d'un côté à l'autre pour le déloger si nécessaire.

⚠ La pose et la réparation de ce produit doivent être confiées à un professionnel qualifié.

RÉINSTALLATION DU PURGEUR MANUEL

1. Vérifier l'état des joints toriques et les remplacer s'il y a lieu.
2. À l'aide d'un linge propre, essuyer la partie supérieure du filtre ainsi que la rainure du joint torique. Retirer toute saleté ou débris.
3. Aligner la fente de la bride du purgeur sur la fente au sommet de la partie supérieure du filtre.
4. Enfoncer le purgeur tout droit vers le bas dans la partie supérieure du filtre.
5. Faire tourner le purgeur dans le sens des aiguilles d'une montre jusqu'à ce que l'indicateur s'aligne sur la position de verrouillage (VERROUILLAGE) de la partie supérieure du filtre.
6. Vérifier que le purgeur est orienté dans la direction opposée à toute connexion électrique.

HIVERNAGE DU FILTRE



AVERTISSEMENT

⚠ La pose et la réparation de ce produit doivent être confiées à un professionnel qualifié.

⚠ Dans les régions où la température tombe généralement au-dessous de zéro, le filtre doit être vidé de toute eau pour éviter qu'il se trouve endommagé.

1. Le filtre devra être démonté et les cartouches du filtre nettoyées ou remplacées.
2. Suivre les indications sous DÉMONTAGE DU FILTRE
3. Ensuite, suivre les indications sous RETRAIT DES CARTOUCHES.
4. Remonter en suivant les indications sous REMONTAGE DU FILTRE.
5. Veiller à ne pas remettre le bouchon de la vidange en place pendant l'hivernage afin d'éviter de fêler le corps du filtre.

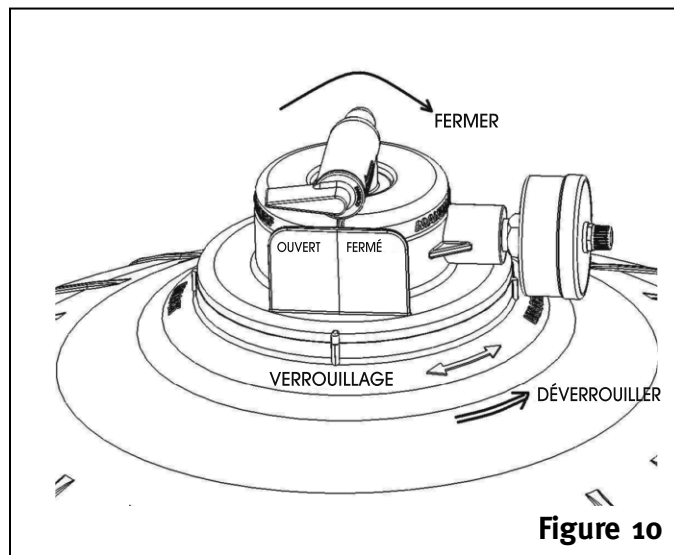


Figure 10

Purgeur manuel montré en position ouverte
et en position verrouillée
Tourner dans le sens anti-horaire pour DÉVERROUILLER

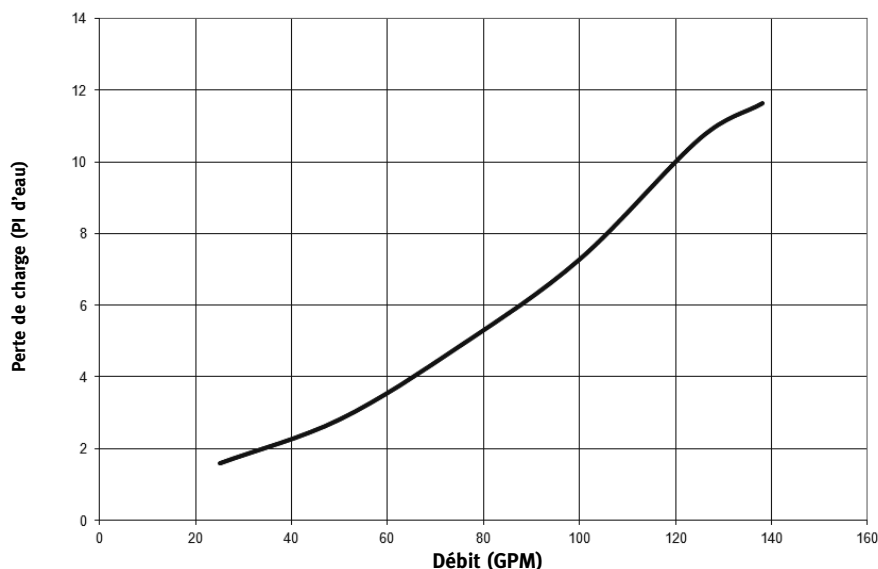
ENTRETIEN ET DÉPANNAGE

Consulter votre revendeur agréé Hayward ou le centre de service après-vente. Aucune marchandise ne peut être retournée directement à l'usine sans l'autorisation expresse par écrit de Hayward Pool Products.

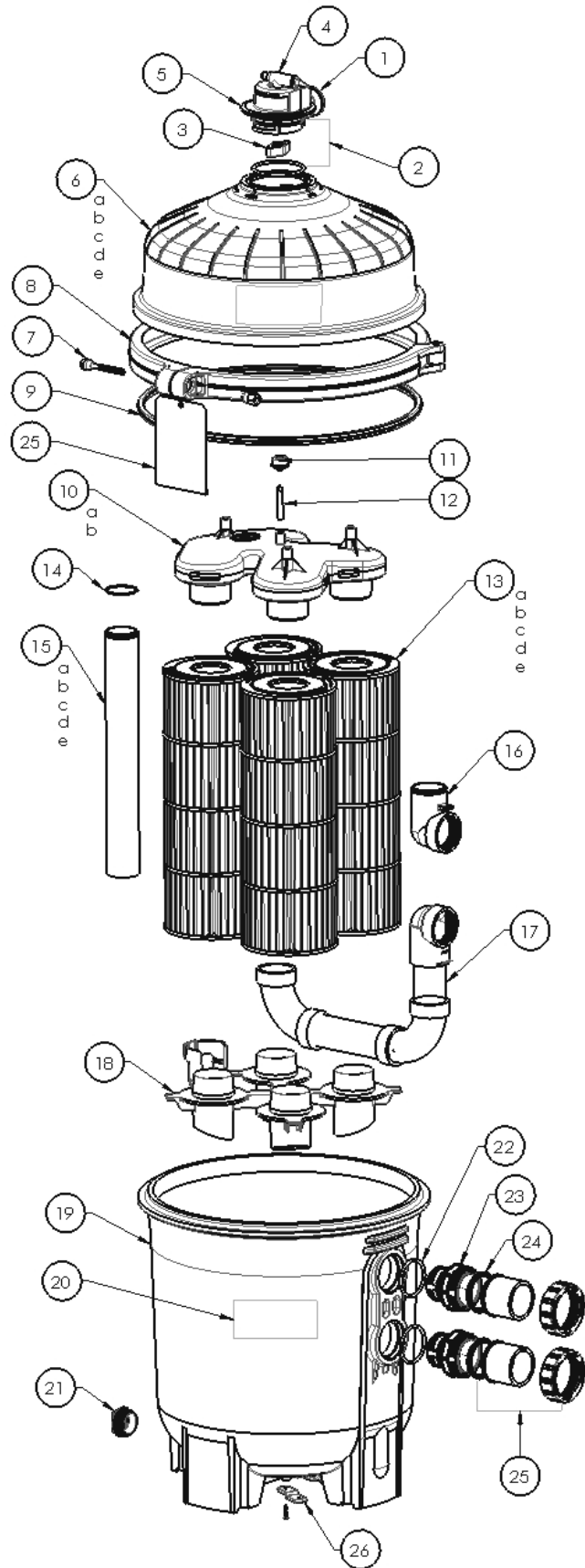
NIVEAUX RECOMMANDÉS POUR LES ÉLÉMENTS CHIMIQUES	
pH	7,2 à 7,8
ALCALINITÉ TOTALE	80 à 120 ppm
DURETÉ DE L'EAU (CALCAIRE)	200 à 400 ppm
CHLORE COMBINÉ	2 ppm max.
CHLORE (STABILISÉ)	1,0 à 3,0 ppm
STABILISATEUR DE CHLORE (acide cyanurique)	60 à 80 ppm

LISTE DES PROBLÈMES ÉVENTUELS ET DE LEURS SOLUTIONS

SOLUTION	FAIBLE DÉBIT D'EAU	CYCLES DE FILTRATION COURTS	L'EAU DE LA PISCINE NE REDEVIENT PAS LIMPIDE
	<ol style="list-style-type: none"> 1. Rechercher la présence de débris dans le panier du skimmer et le panier de préfiltre. 2. Rechercher des sources de restriction dans les conduites d'arrivée et de sortie d'eau. 3. Rechercher une fuite d'air dans la conduite d'aspiration (indiquée par la présence de bulles dans l'eau ramenée à la piscine). 	<ol style="list-style-type: none"> 1. Rechercher la présence d'algues dans la piscine et effectuer une surchloration s'il y a lieu. 2. S'assurer que les niveaux de pH et de chlore sont dans la fourchette de valeurs requise (modifier selon le besoin). 	<ol style="list-style-type: none"> 1. Vérifier les niveaux de chlore, de pH et d'alcalinité totale et modifier en conséquence. 2. Vérifier que le débit dans le filtre est suffisant. 3. Faire fonctionner le filtre plus longtemps.

PERTE DE CHARGE AU NIVEAU DU COLLECTEUR SUPÉRIEUR

UTILISER UNIQUEMENT DES PIÈCES HAYWARD D'ORIGINE

N°	RÉFÉRENCE	DESCRIPTION
1	ECX2712B1	Manomètre
2	DEX2420Z8A	Nécessaire de joint torique (jeu de 2)
3	CCX1000N	Écrou du purgeur
4	CCX1000V	Purgeur manuel av. joint torique
5	DE2420MAR2	Assemblage du purgeur manuel
6a	DEX2420BTC	Partie supérieure du filtre C2030
6b	DEX3620BTC	Partie supérieure du filtre C3030
6c	DEX4820BTC	Partie supérieure du filtre C4030
6d	DEX6020BTC	Partie supérieure du filtre C5030
6e	DEX7220BTC	Partie supérieure du filtre C7030
7	DEX2421J2	Boulon et écrou du collier de serrage
8	DEX2421JKIT	Ensemble du collier de serrage : collier, boulon et écrou, étiquette volante, joint à renfort métallique et étiquettes
9	DEX2422Z2	Joint à renfort métallique
10a	CX3030C	Collecteur supérieur pour C2030, C3030 et C4030
10b	CX5030C	Collecteur supérieur pour C5030 et C7030
11	CX3000J1	Filtre du purgeur
12	CX2030Z3	Tube du purgeur
13a	CX481XRE	Élément de cartouche C2030 1 sur les 4 requis
	CX481XREPAK4	Jeu de 4 cartouches pour C2030
13b	CX580XRE	Élément de cartouche C3030 1 sur les 4 requis
	CX580XREPAK4	Jeu de 4 cartouches pour C3030
13c	CX880XRE	Élément de cartouche C4030 1 sur les 4 requis
	CX880XREPAK4	Jeu de 4 cartouches pour C4030
13d	CX1280XRE	Élément de cartouche C5030 1 sur les 4 requis
	CX1280XREPAK4	Jeu de 4 cartouches pour C5030
13e	CX591XRE	Élément de cartouche C7030 1 sur les 8 requis
	CX591XREPAK4	Jeu de 4 cartouches pour C7030 1 sur les 2 requis
	CX7020M	Raccord mi-plaque pour série C7000 uniquement
14	DEX2400Z5	Joint torique
15a	CX3031F6	Conduite de sortie pour C2030
15b	CX3031F7	Conduite de sortie pour C3030
15c	CX3031F8	Conduite de sortie pour C4030
15d	CX3031F9	Conduite de sortie pour C5030
15e	CX3031F10	Conduite de sortie pour C7030
16	CX3030F	Coude d'arrivée
17	CX3030H	Conduite SwimClear d'assemblage
18	CX3030D	Plaque d'étanchéité du fond
19	DEX2420ATC	Partie inférieure du filtre
20	DEX2420LA6PAK	Pochette d'étiquettes : comprend toutes étiquettes volantes de sécurité et d'utilisation, lien métallique, manuel de l'utilisateur
21	SP1022CBLK	Bouchon de vidange 39 mm (1 1/2 po) av. joint torique
22	SX220Z2	Joint torique
23	C3035F	Raccord de traversée
24	SPX3200UG	Joint (bague en T)
25	SPX3200UNKIT	Nécessaire de connexion (avec écrou, raccord, joint)
26	DEX2420DCKIT	Nécessaire pour sangle (facultatif)



UTILISER UNIQUEMENT DES PIÈCES HAYWARD D'ORIGINE

GARANTIE LIMITÉE HAYWARD^{MD}

À l'acheteur, en tant qu'acqureur d'origine de ce matériel, Hayward Pool Products, 620 Division Street, Elizabeth, New Jersey, garantit que ses produits sont libres de tout défaut de matériel ou de fabrication pendant une période de **UN (1)** an à partir de la date d'achat.

Si une pièce présente un défaut quelconque ou devient défectueuse pendant la période de garantie, elle sera, sauf en cas de gel, de négligence ou d'installation, d'usage ou d'entretien incorrect, réparée ou remplacée, à notre discrétion, à nos frais et, sauf contretemps imprévu, dans les 90 jours suivant la réception du produit défectueux.

Pour obtenir leur remplacement ou leur réparation dans le cadre de la garantie, les éléments ou pièces défectueux devront être retournés en port payé à l'établissement où a été effectué l'achat ou au centre de service agréé Hayward le plus proche. Pour plus de renseignements sur les centres de service ou les établissements où sont vendus les produits Hayward, contacter le service-clients Hayward. Aucune marchandise ne peut être retournée directement à l'usine sans l'autorisation expresse par écrit de Hayward Pool Products.

Tous les autres termes et conditions de la garantie standard sont en vigueur.

Hayward ne saura prendre à sa charge les frais de camionnage, de démontage et/ou réinstallation ou tout autre coût encouru dans le cadre d'un remplacement aux termes de la garantie.

La garantie Hayward Pool Products ne s'applique pas aux pièces d'autres fabricants. Pour celles-ci, la garantie des fabricants respectifs est celle en vigueur.

La législation de certains états et provinces n'autorise pas les limites dans les délais d'application d'une garantie implicite et ne permet pas d'exclure ou de limiter les dommages indirects ou consécutifs, de sorte que la limitation ou l'exclusion ci-dessus peut ne pas s'appliquer à votre cas.

Cette garantie vous donne des droits juridiques spécifiques et vous pouvez également disposer d'autres droits qui peuvent varier selon la législation de différents états et provinces.

***Annule et remplace toute édition précédente.**

**Hayward Pool Products
620 Division Street
Elizabeth, NJ 07207, É.- U.**

▲ Conserver ce certificat de garantie dans un endroit pratique et sûr pour vos dossiers

ENREGISTREMENT DU PRODUIT (Conserver dans vos dossiers)	
DATE D'INSTALLATION:	_____
PRESSION INITIALE AU MANOMÈTRE (FILTRE PROPRE):	_____
MODÈLE DE POMPE: _____	PUISSANCE: _____
MODÈLE DE FILTRE: _____	NUMÉRO DE SÉRIE: _____

DÉTACHER ICI: Remplir la partie inférieure de cette carte et l'envoyer dans les 10 jours suivant l'achat / l'installation.

**SwimClear**TM

Carte d'enregistrement aux fins de garantie Enregistrement en ligne sur www.haywardnet.com

Veillez écrire lisiblement en majuscules:

Prénom: _____ Nom de famille _____

Adresse _____

Ville _____ État/Province _____ Code postal _____

Numéro de téléphone: _____ Date d'achat: _____

Courriel: _____

Numéro de série

(numéro de 10 à 17 chiffres)

--	--	--	--	--	--	--	--	--	--	--	--	--	--	--	--	--	--	--	--

Numéro de modèle: _____

Capacité de la piscine _____ (gallons américains)

Veuillez m'inclure dans toutes vos communications par courriel sur le matériel et les promotions Hayward.

Envoyer à : Hayward Pool Products, 620 Division Street, Elizabeth, NJ 07207, É.-U.

Attn: Warranty Dept

ou ENREGISTREZ-VOUS AUX FINS DE GARANTIE EN LIGNE À WWW.HAYWARDNET.COM

Années de service de la piscine

1 an ou moins 2-3 4-5 6-10 11-15 +16

Lieu d'achat _____

Constructeur Revendeur

Service de piscines Internet/Catalogue

Nom de la compagnie _____

Adresse _____

État/Province _____ Code postal _____

Téléphone _____

Type de piscine :

Béton/Gunite Vinyle Fibre de verre Autre _____

Nouvelle installation Remplacement

Installation pour:

Pisc. enterrée Pisc. hors sol Spa