



EasyClear™

Owner's Manual



Contents

Warnings.....	2
Introduction.....	4
Installation.....	5
Replacement Parts.....	7
Warranty & Registration	8

MODELS: C550, C4001575XES, C5501575XES, C40042LES

IMPORTANT SAFETY INSTRUCTIONS

Basic safety precautions should always be followed, including the following: Failure to follow instructions can cause severe injury and/or death.

! This is the safety-alert symbol. When you see this symbol on your equipment or in this manual, look for one of the following signal words and be alert to the potential for personal injury.

! **WARNING** warns about hazards that **could** cause serious personal injury, death or major property damage and if ignored presents a potential hazard.

! **CAUTION** warns about hazards that **will** or **can** cause minor or moderate personal injury and/or property damage and if ignored presents a potential hazard. It can also make consumers aware of actions that are unpredictable and unsafe.

The **NOTICE** label indicates special instructions that are important but not related to hazards.

Hayward Pool Products
620 Division Street, Elizabeth, NJ 07207
Phone: (908) 355-7995
www.hayward.com



HAYWARD®



⚠ WARNING - Read and follow all instructions in this owner's manual and on the equipment. Failure to follow instructions can cause severe injury and/or death.

⚠ WARNING – Suction Entrapment Hazard.

Suction in suction outlets and/or suction outlet covers which are, damaged, broken, cracked, missing, or unsecured can cause severe injury and/or death due to the following entrapment hazards:



Hair Entrapment- Hair can become entangled in suction outlet cover.



Limb Entrapment- A limb inserted into an opening of a suction outlet sump or suction outlet cover that is damaged, broken, cracked, missing, or not securely attached can result in a mechanical bind or swelling of the limb.



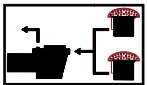
Body Suction Entrapment- A negative pressure applied to a large portion of the body or limbs can result in an entrapment.

Evisceration/ Disembowelment - A negative pressure applied directly to the intestines through an unprotected suction outlet sump or suction outlet cover which is, damaged, broken, cracked, missing, or unsecured can result in evisceration/ disembowelment.



Mechanical Entrapment- There is potential for jewelry, swimsuit, hair decorations, finger, toe or knuckle to be caught in an opening of a suction outlet cover resulting in mechanical entrapment.

⚠ WARNING - To Reduce the risk of Entrapment Hazards:



- o When outlets are small enough to be blocked by a person, a minimum of two functioning suction outlets per pump must be installed. Suction outlets in the same plane (i.e. floor or wall), must be installed a minimum of three feet (3') [1 meter] apart, as measured from near point to near point.
- o Dual suction fittings shall be placed in such locations and distances to avoid “dual blockage” by a user.
- o Dual suction fittings shall not be located on seating areas or on the backrest for such seating areas.
- o The maximum system flow rate shall not exceed 6 ft/sec in the suction line.
- o Never use Pool or Spa if any suction outlet component is damaged, broken, cracked, missing, or not securely attached.
- o Replace damaged, broken, cracked, missing, or not securely attached suction outlet components immediately.
- o In addition two or more suction outlets per pump installed in accordance with latest ASME, APSP Standards and CPSC guidelines, follow all National, State, and Local codes applicable.
- o Installation of a vacuum release or vent system, which relieves entrapping suction, is recommended.

⚠ WARNING – Failure to remove pressure test plugs and/or plugs used in winterization of the pool/spa from the suction outlets can result in an increase potential for suction entrapment as described above.

⚠ WARNING – Failure to keep suction outlet components clear of debris, such as leaves, dirt, hair, paper and other material can result in an increase potential for suction entrapment as described above.

⚠ WARNING – Suction outlet components have a finite life, the cover/grate should be inspected frequently and replaced at least every ten years or if found to be damaged, broken, cracked, missing, or not securely attached.

⚠ CAUTION – Components such as the filtration system, pumps and heater must be positioned so as to prevent their being used as means of access to the pool by young children. To reduce risk of injury, do not permit children to use or climb on this product. Closely supervise children at all times. Components such as the filtration system, pumps, and heaters must be positioned to prevent children from using them as a means of access to the pool.



⚠ WARNING – Hazardous Pressure. Pool and spa water circulation systems operate under hazardous pressure during start up, normal operation, and after pump shut off. Stand clear of circulation system equipment during pump start up. Failure to follow safety and operation instructions could result in violent separation of the pump housing and cover, and/or filter housing and clamp due to pressure in the system, which could cause property damage, severe personal injury, or death. Before servicing pool and spa water circulation system, all system and pump controls must be in off position and filter manual air relief valve must be in open position. Before starting system pump, all system valves must be set in a position to allow system water to return back to the pool. Do not change filter control valve position while system pump is running. Before starting system pump, fully open filter manual air relief valve. Do not close filter manual air relief valve until a steady stream of water (not air or air and water) is discharged.



⚠ WARNING – Separation Hazard. Failure to follow safety and operation instructions could result in violent separation of pump and/or filter components. Strainer cover must be properly secured to pump housing with strainer cover lock ring. Before servicing pool and spa circulation system, filters manual air relief valve must be in open position. Do not operate pool and spa circulation system if a system component is not assembled properly, damaged, or missing. Do not operate pool and spa circulation system unless filter manual air relief valve body is in locked position in filter upper body. **Never operate or test the circulation system at more than 30 PSI. Do not purge the system with compressed air.** Purging the system with compressed air can cause components to explode, with risk of severe injury or death to anyone nearby. Use only a low pressure (below 5 PSI), high volume blower when air purging the pump, filter, or piping.



HAYWARD®



⚠ WARNING – Risk of Electric Shock. All electrical wiring **MUST** be in conformance with applicable local codes, regulations, and the National Electric Code (NEC). Hazardous voltage can shock, burn, and cause death or serious property damage. To reduce the risk of electric shock, do **NOT** use an extension cord to connect unit to electric supply. Provide a properly located electrical receptacle. Before working on any electrical equipment, turn off power supply to the equipment. To reduce the risk of electric shock replace damaged wiring immediately. Locate conduit to prevent abuse from lawn mowers, hedge trimmers and other equipment. Do **NOT** ground to a gas supply line.

⚠ WARNING – Risk of Electric Shock Failure to ground all electrical equipment can cause serious or fatal electrical shock hazard. Electrical ground all electrical equipment before connecting to electrical power supply.

⚠ WARNING – Risk of Electric Shock Failure to bond all electrical equipment to pool structure will increase risk for electrocution and could result in injury or death. To reduce the risk of electric shock, see installation instructions and consult a professional electrician on how to bond all electrical equipment. Also, contact a licensed electrician for information on local electrical codes for bonding requirements.

Notes to electrician: Use a solid copper conductor, size 8 or larger. Run a continuous wire from external bonding lug to reinforcing rod or mesh. Connect a No. 8 AWG (8.4 mm²) [No. 6 AWG (13.3 mm²) for Canada] solid copper bonding wire to the pressure wire connector provided on the electrical equipment and to all metal parts of swimming pool, spa, or hot tub, and metal piping (except gas piping), and conduit within 5 ft. (1.5 m) of inside walls of swimming pool, spa, or hot tub.

IMPORTANT - Reference NEC codes for all wiring standards including, but not limited to, grounding, bonding and other general wiring procedures.

⚠ WARNING – Risk of Electric Shock . The electrical equipment must be connected only to a supply circuit that is protected by a ground-fault circuit-interrupter (GFCI). Such a GFCI should be provided by the installer and should be tested on a routine basis. To test the GFCI, push the test button. The GFCI should interrupt power. Push reset button. Power should be restored. If the GFCI fails to operate in this manner, the GFCI is defective. If the GFCI interrupts power to the electrical equipment without the test button being pushed, a ground current is flowing, indicating the possibility of an electrical shock. Do not use this electrical equipment. Disconnect the electrical equipment and have the problem corrected by a qualified service representative before using.

⚠ CAUTION – HAYWARD® pumps are intended for use with permanently-installed pools and may be used with hot tubs and spas if so marked. Do not use with storable pools. A permanently-installed pool is constructed in or on the ground or in a building such that it cannot be readily disassembled for storage. A storable pool is constructed so that it is capable of being readily disassembled for storage and reassembled to its original integrity.

⚠ WARNING – Risk of Hyperthermia. To avoid hyperthermia the following “Safety Rules for Hot Tubs” are recommended by the U.S. Consumer Product Safety Commission.

1. Spa or hot tub water temperatures should never exceed 104°F [40°C]. A temperature of 100°F [38°C] is considered safe for a healthy adult. Special caution is suggested for young children. Prolonged immersion in hot water can induce hyperthermia.
2. Drinking of alcoholic beverages before or during spa or hot tub use can cause drowsiness, which could lead to unconsciousness and subsequently result in drowning.
3. Pregnant women beware! Soaking in water above 100°F [38°C] can cause fetal damage during the first three months of pregnancy (resulting in the birth of a brain-damaged or deformed child). Pregnant women should adhere to the 100°F [38°C] maximum rule.
4. Before entering the spa or hot tub, users should check the water temperature with an accurate thermometer; spa or hot tub thermostats may err in regulating water temperatures by as much as 4°F (2.2°C).
5. Persons taking medications, which induce drowsiness, such as tranquilizers, antihistamines or anticoagulants, should not use spas or hot tubs.
6. If the pool/spa is used for therapy, it should be done with the advice of a physician. Always stir pool/ spa water before entering the pool/spa to mix in any hot surface layer of water that might exceed healthful temperature limits and cause injury. Do not tamper with controls, because scalding can result if safety controls are not in proper working order.
7. Persons with a medical history of heart disease, circulatory problems, diabetes or blood pressure problems should obtain a physician’s advice before using spas or hot tubs.
8. Hyperthermia occurs when the internal temperature of the body reaches a level several degrees above normal body temperature of 98.6°F [37°C]. The symptoms of Hyperthermia include: drowsiness, lethargy, dizziness, fainting, and an increase in the internal temperature of the body.

The effects of Hyperthermia include:

1. Unawareness of impending danger.
2. Failure to perceive heat.
3. Failure to recognize the need to leave the spa.
4. Physical inability to exit the spa.
5. Fetal damage in pregnant women.
6. Unconsciousness resulting in danger of drowning.

SAVE THESE INSTRUCTIONS



The Hayward® EasyClear™ Filtration Series is specifically designed for the demanding requirements of today's above-ground swimming pools. The advanced design reduces maintenance requirements while providing superior performance

The EasyClear™ Filtration Series is intended for use on permanently installed above-ground swimming pools and may also be used with hot tubs and spas if so marked. Do NOT use with storable pools. A permanently installed pool is constructed in or on the ground or in a building such that it cannot be readily disassembled for storage. A storable pool is constructed so that it is capable of being readily disassembled for storage and reassembled to its original integrity.

This product is designed for outdoor use, it is strongly advised to protect the electrical components from the weather. Select a well-drained area, one that will not flood when it rains. It requires free circulation of air for cooling. Do not install in a damp or non-ventilated location.

Bond motor to pool structure. Run wire from external bonding lug to reinforcing rod or mesh. Connect a No. 8 AWG (8.4 mm²) solid copper bonding wire to the pressure wire connector provided on the motor housing and to all metal parts of swimming pool, spa, or hot tub, and to all electrical equipment, metal piping or conduit within 5 ft. (1.5 m) of inside walls of swimming pool, spa, or hot tub. (In Canada use No. 6 AWG bonding wire.)

NOTICE: The National Electrical Code (NEC) permits use of a cord with a maximum 3 ft. (1 m) length. If your pump is equipped with a cord complying with the NEC, the following three (3) items apply:



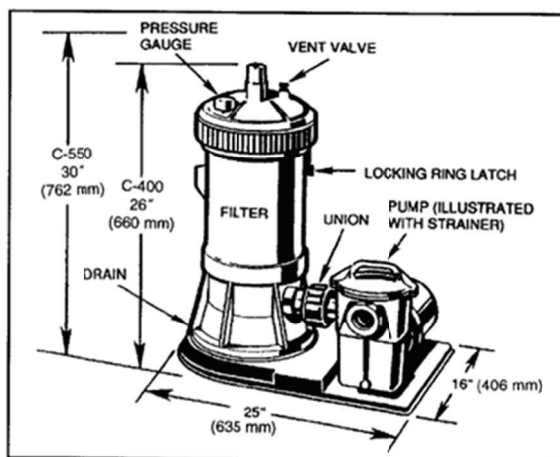
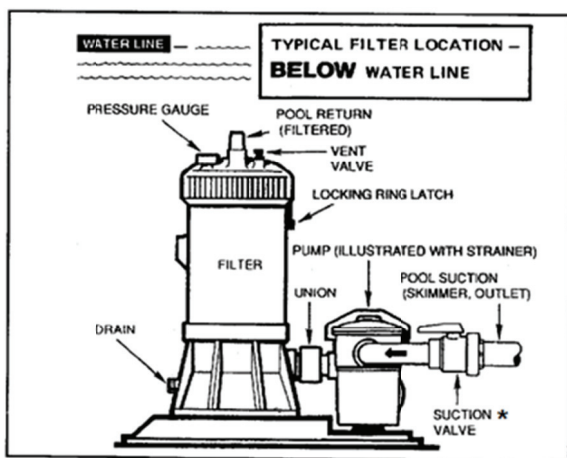
▲ WARNING ELECTROCUTION HAZARD.

1. Connect only to a grounding type receptacle protected by a Ground Fault Circuit Interrupter (GFCI). Contact a qualified electrician if you cannot verify that the receptacle is protected by a GFCI.
2. To reduce the risk of electric shock replace damaged cord immediately. Do NOT bury cord. Locate cord to minimize abuse from lawn care equipment. (e.g. Mowers, Trimmers, ect.)
3. To reduce the risk of electric shock, do NOT use an extension cord to connect unit to electric supply. Provide a properly located outlet. Qualified personnel MUST do all electrical wiring.

General Information

Introduction

This manual contains information for the proper installation and operation of the Hayward® EasyClear™ Filtration Series. All EasyClear™ Filtration models are high performance, above-ground swimming pool filters. Instructions in this manual **MUST** be followed precisely.



Product Features

- Non-corrosive filter tank will provide years of trouble-free operation.
- Easy-Lok™ ring design allows quick access to all internal components in a single turn.
- Unique safety latch prevents over tightening of cover and secures the filter from unwanted entry.
- Union connection allows pump or filter to be removed quickly and easily for servicing the system and winterizing.
- Built-in check valve prevents water loss due to backflow from pool directly into the filter.



Installation Instructions

Filter and System Location

Set the filter on firm, level ground. Select a well-drained area, one that will not flood when it rains. Position the filter so that it may drain by gravity. The tank should be positioned for easy access to the internals, pressure gauge, and air vent valve.

Plumbing

To facilitate servicing of the filter system and to allow for indoor storage during the winter months, installing union connections at the suction and outlet ports is recommended.

Use **Teflon tape** to seal threaded connections on molded plastic components. All plastic fittings must be new or thoroughly cleaned before use. **NOTE: Do NOT use Plumber's Pipe Dope as it may cause cracking of the plastic components.** When applying **Teflon tape** to plastic threads, wrap the entire threaded portion of the male fitting with one to two layers of tape. Wind the tape clockwise as you face the open end of the fitting, beginning at the end of the fitting.

The pump suction and outlet ports have molded-in thread stops. Do **NOT** attempt to force hose connector fitting past this stop. It is only necessary to tighten fittings enough to prevent leakage. Tighten fitting by hand and then use a tool to engage fitting an additional 1 ½ turns. Use care when using Teflon tape as friction is reduced considerably; **do NOT over-tighten** fitting or you may cause damage. If leaks occur, remove connector, clean off old Teflon tape, rewrap with one to two additional layers of Teflon tape, and re-install connector. Use 1 ½" I.D. flexible plastic pipe with hose adapter fittings and hose clamps. If rigid PVC is used, be sure to install Hayward SP1500UNPAK2 union connectors for easy servicing.

All plumbing connections on the EasyClear™ Filter are 1 ½" N.P.T. When making connections, use plastic male-end adapters. Apply three (3) turns of Teflon tape or plastic pipe sealant to the male threads. Screw the fitting into the thread hand-tight; then using a wrench, tighten one more full turn, if necessary. (NOTE: Adapters have varying tolerances and over-tightening with a wrench may only cause damage to the filter.) Ball type valves are recommended where needed.

Connect the pool suction plumbing between the skimmer and the pump. Connect the pool return plumbing to the **OUTLET** port at the top of the filter body.

A filter drain plug is furnished with each filter and is all that is needed for complete filter draining. A manual air vent valve is furnished to aid in the bleeding of unwanted air when starting or draining the filter.



HAYWARD®

Start-Up & Operation

New Installation/Seasonal Start-Up

1. Close drain plug at the base of filter.
2. Secure and lock Easy-Lok™ ring.
3. Open air vent valve (Rotate the knob counterclockwise).
4. Open valves (Optional suction & return valves).



▲ WARNING COMPONENT SEPARATION HAZARD Failure to open all suction and outlet valves can cause severe personal injury and/or property damage. **OPEN** all suction and outlet valves before operating the filter system.

5. Prime and start the pump per manufacturer's instructions.
6. Once air has escaped the filter and a steady stream of water is flowing from the air vent valve, close the air vent by turning clockwise and note the pressure gauge reading.

Filter Disassembly & Assembly

Cleaning/Removing Cartridge Element

NOTICE: An indication that the filter needs cleaning is when the pressure gauge rises 5-7 PSI above its starting pressure.

1. Shut off the pump.
2. Close valves* (*optional: suction & return valves).
3. Open air vent valve.
4. Open drain plug (located at the base of the filter body).
5. Depress safety latch (located on the underside of the locking ring handles) and unscrew locking ring in a counter-clockwise direction. Remove lid from filter body.
6. Lift out filter element and clean as instructed in "Preventative Maintenance" section of this manual.

Re-Installing Cartridge Element

1. Clean debris from bottom of filter tank.
2. Replace element evenly on the collector hub in bottom of the filter body.
3. Place lid evenly on filter body and turn Easy-Lok™ ring clockwise until the safety latch engages securely.
4. Close and secure drain plug (located at the base of filter body).
5. Proceed as in "Start-Up & Operation".

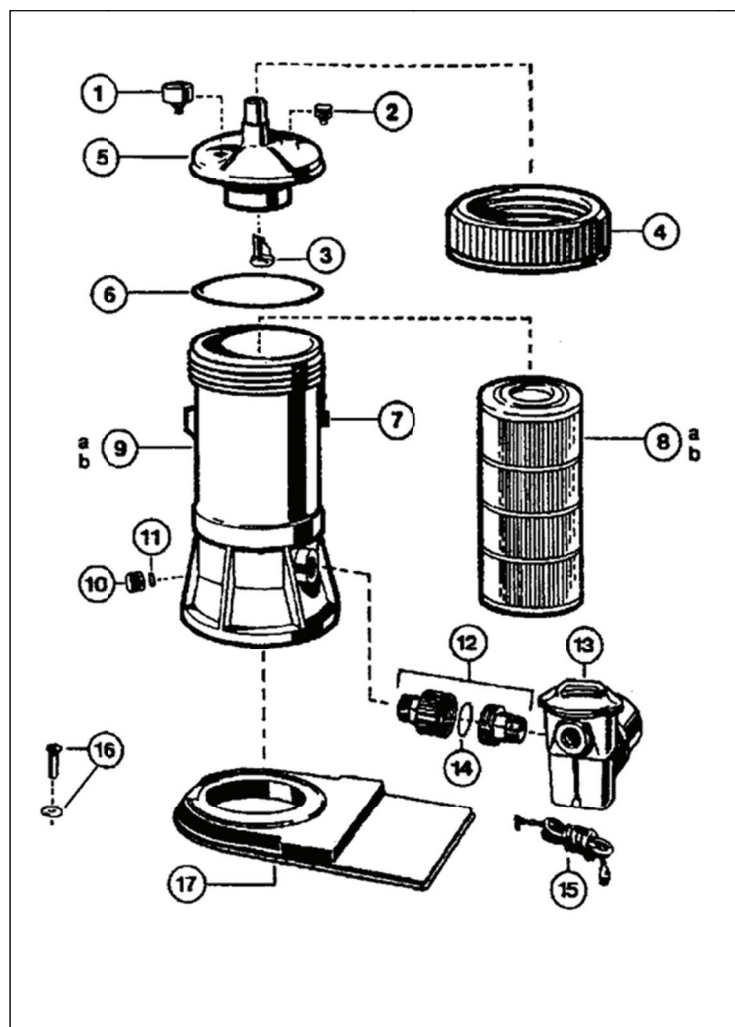
Vacuumping

Vacuumping can be performed directly into the filter whenever needed. For fastest results, clean the filter before and after each vacuumping. For heavy spring clean ups, we recommend using a Hayward SP0727 diverter valve to bypass the filter and accelerate the clean up process. Consult your local Hayward dealer for a detailed explanation

Winterization

In areas where sub-freezing temperatures can be expected, the filter should be drained and/or removed from its operating location and stored indoors. Clean the cartridge element at the end of the pool season by using the Hayward Jet-action Cleaning Wand (EC2024) or a garden hose. (See "Cleaning Cartridge Filter" instructions in this manual.

REPLACEMENT PARTS			
ITEM	PART NUMBER	DESCRIPTION	NO REQ
1	ECX2710	Pressure Gauge	1
2	ECX1322A	Air Vent Valve w/O-ring	1
3	ECX4077B1	Check Valve	1
4	CX400C	Lock Ring	1
5	CX400BA	Filter Lid w/ Check Valve & Lock Ring	1
6	CCX400G	Filter Lid O-ring	1
7	CX400D	Lock Ring Latch	1
8a	CX410RE	Cartridge Element 40 ft ²	1
	CX410REBVS	Valve Element 40 ft ²	
8b	CX550RE	Cartridge Element 55 ft ²	1
	CX550REBVS	Value Element 55 ft ²	
9a	CX400AA	Filter, Lower Body (C400)	1
9b	CX550AA	Filter, Lower Body (C550)	1
10	SX200Z8	Drain Cap	1
11	SX200Z9	Gasket	1
12	SP1480	1 1/2" Male Union,	1
13	SP1592	Pump	1
14	SPX1425Z6	O-ring	1
15	SPX1250WA	6 Ft Cord	1
	SPX1550WA1	3 Ft Twist Lock Cord	1
16	ECX1108A	Mounting screw & washer	2
17	ECX1161	Base, Standard	1



EasyClear™ Filtration Performance Data					
Model No.	C400	C550	Time	C400	C550
Effective Filtration Area	40 FT ²	55 FT ²	8 Hours	24,000 GAL	31,200 GAL
Design Flow Rate	50 GPM	69 GPM	12 Hours	30,000 GAL	41,400 GAL
Maximum Working Pressure	30 PSI	30 PSI	Turnover at rated flow		
Required Clearance:					
Above	26"	30"			
Standard Replacement Hayward Cartridge	CX410RE	CX550RE			
Blue Value Replacement Hayward Cartridge	CX410REBVS	CX550REBVS			



HAYWARD®

PRODUCT REGISTRATION

(Retain For Your Records)

DATE OF INSTALLATION _____

▲ Retain this Warranty Certificate (upper portion) in a safe and convenient location for your records.

HAYWARD® Pool Products Limited Warranty

To original purchasers of this equipment, Hayward Pool Products, Inc. warrants its products to be free from defects in materials and workmanship for a period of ONE (1) year from the date of purchase, when used in single family residential applications.

The limited warranty excludes damage from freezing, negligence, improper installation, improper use or care or any Acts of God. Parts that fail or become defective during the warranty period shall be repaired or replaced, at our option, within 90 days of the receipt of defective product, barring unforeseen delays, without charge.

Proof of purchase is required for warranty service. In the event proof of purchase is not available, the manufacturing date of the product will be the sole determination of the purchase date.

To obtain warranty service, please contact the place of purchase or the nearest Hayward Authorized Service Center. For assistance on your nearest Hayward Authorized Service Center please visit us at www.hayward.com.

Hayward shall not be responsible for cartage, removal, repair or installation labor or any other such costs incurred in obtaining warranty replacements or repair.

The Hayward Pool products warranty does not apply to components manufactured by others. For such products, the warranty established by the respective manufacturer will apply.

The express limited warranty above constitutes the entire warranty of Hayward Pool Products with respect to its' pool products and is in lieu of all other warranties expressed or implied, including warranties of merchantability or fitness for a particular purpose. In no event shall Hayward Pool products be responsible for any consequential, special or incidental damages of any nature.

Some states do not allow a limitation on how long an implied warranty lasts, or the exclusion of incidental or consequential damages, so the above limitation may not apply to you. This warranty gives you specific legal rights, and you may also have other rights, which vary from state to state.

Hayward Pool Products
620 Division Street
Elizabeth, NJ 07207

*Supersedes all previous publications.

DETACH HERE: Fill out bottom portion completely and mail within 10 days of purchase/installation or register online.



EasyClear™ FILTER

Warranty Card Registration

Register online at www.hayward.com

Please Print Clearly:

First Name _____ Last Name _____

Street Address _____

City _____ State _____ Zip _____

Phone Number _____ Purchase Date _____

E-Mail Address _____

Serial Number

--	--	--	--	--	--	--	--	--	--	--	--	--	--	--	--	--	--	--	--

Model Number _____

Pool Capacity _____ (U.S. Gallons)

If your product contains components that have individual serial numbers, it is not necessary to complete warranty registration for those individual components. Instead, complete warranty registration only for the overall product, using the serial number that is located on the outside of the product packaging.

Please include me on all e-mail communications regarding Hayward® Equipment or promotions.

Mail to: Hayward Pool Products, 620 Division Street, Elizabeth, NJ 07207

Attn: Warranty Dept

Or REGISTER YOUR WARRANTY ON-LINE AT WWW.HAYWARD.COM

Years Pool has been in service

< 1 year 1-3 4-5 6-10 11-15 >15

Purchased from _____

Builder Retailer Pool Service Internet/Catalog

Company Name _____

Address _____

City _____ State _____ Zip _____

Phone _____

Type of Pool:

Concrete/Gunite Vinyl Fiberglass

Other _____

New Installation Replacement

Installation for:

In Ground Above Ground Spa



Hayward is a registered trademark and EasyClear is a trademark of Hayward Industries, Inc.

© Hayward Pool Products. 2015 All rights reserved