



JET-ACTION CLEANING WAND

Owner's Guide

Model: EC2024

IMPORTANT SAFETY INSTRUCTIONS



⚠ WARNING - Read and follow all instructions in this owner's manual and on the equipment. Failure to follow instructions can cause severe injury and/or death.

INTRODUCTION:

The Hayward diatomaceous earth (D.E.) Jet-Action Cleaning wand is a useful maintenance tool to remove residual dirt, D.E., and contaminants from the Flex-Tube™ inside the Perflex® filter. It may also be useful in removing excess dirt and D.E. on the surface covering and between the grids in a vertical grid filter.

OPERATION:

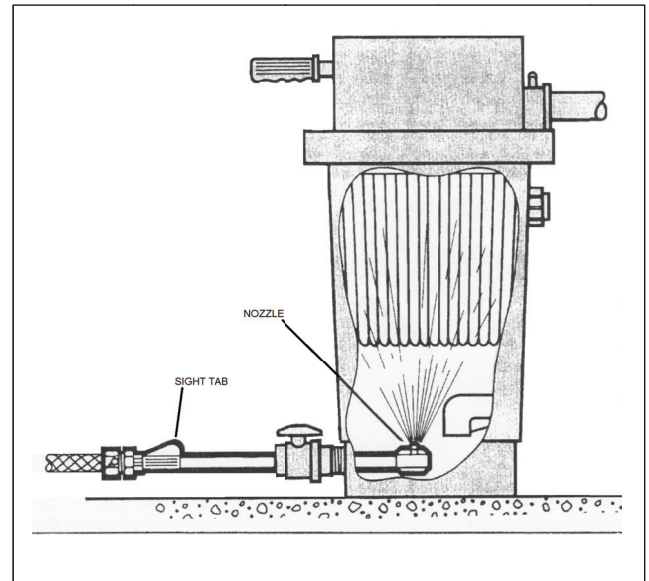
1. Attach a garden hose to the cleaning wand.

⚠ CAUTION: Normal hose pressure will create a powerful jet spray. Use care to protect yourself, and others, when directing the cleaning wand's right angle spray. Always shut off valve when not using the wand to clean the filter.

2. Turn off the pump. Bump the Perflex filter 6-8 times. Close suction and discharge valves (if any). Open either the drain valve or the drain plug and allow the filter to drain - as in normal "cleaning".
3. When the filter is drained, insert the cleaning wand through the drain opening, and turn on the hose. (**Note:** Certain model Perflex filters have a threaded gauge/inspection port. This may be used as a convenient alternate access to insert the cleaning wand.) Use the sight tab located near the hose/valve end to determine where the spray is being directed.
4. Clean for several minutes, rotating the wand to either side until D.E. stops coming out the drain. Turn off water and remove wand.
5. Close the drain valve/opening and proceed as in "Starting the Filter" and "Pre-coating" as outlined in the Owner's Manual.

FOR VERTICAL GRID FILTERS:

1. Attach wand to hose.
2. Turn off the filter system. Close suction and discharge valves. Bleed any air from the filter tank.
3. Remove the clamp and open filter.
4. Use the cleaning wand in combination with hose water and clean the stubborn dirt and excess D.E. trapped between the grids.
5. Once the filter grids are sufficiently clean, reassemble the filter according to manufacturer's instructions.
6. Precoat and restart the system according to normal start up and operating procedures.



Hayward Pool Products
620 Division Street, Elizabeth, NJ 07207
Phone: (908) 355-7995
www.hayward.com