

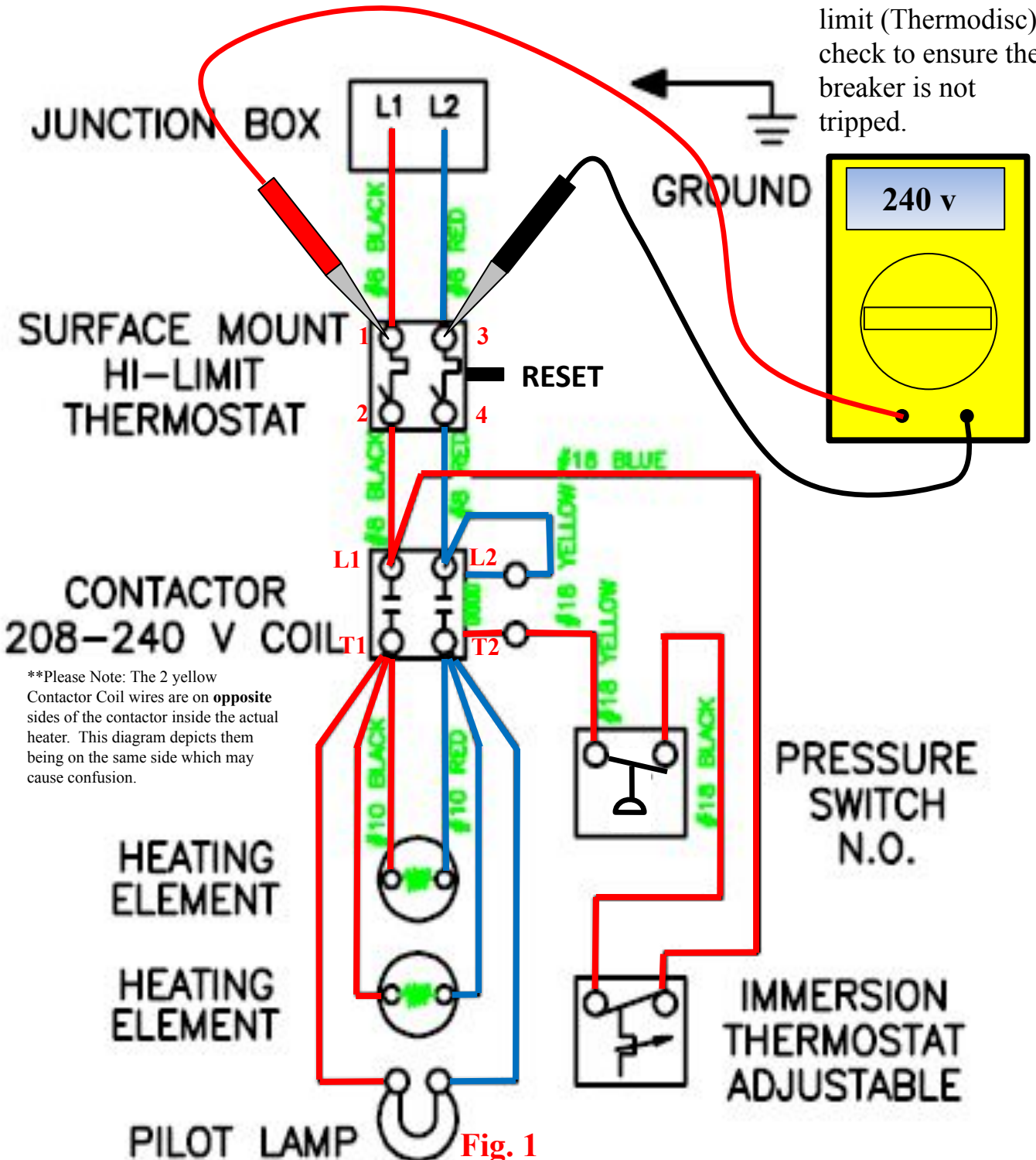
CSPAXI11 Wiring Diagram

****Important**** If the RED LED Lamp (Fig. 1) is illuminated, skip to step 11 and 12

Step 1

240 VOLTS 11kw

If you do not have 240v between #1 and #3 on the surface mount hi limit thermostat, check to ensure the breaker is not tripped.



****Please Note:** The 2 yellow Contactor Coil wires are on **opposite** sides of the contactor inside the actual heater. This diagram depicts them being on the same side which may cause confusion.

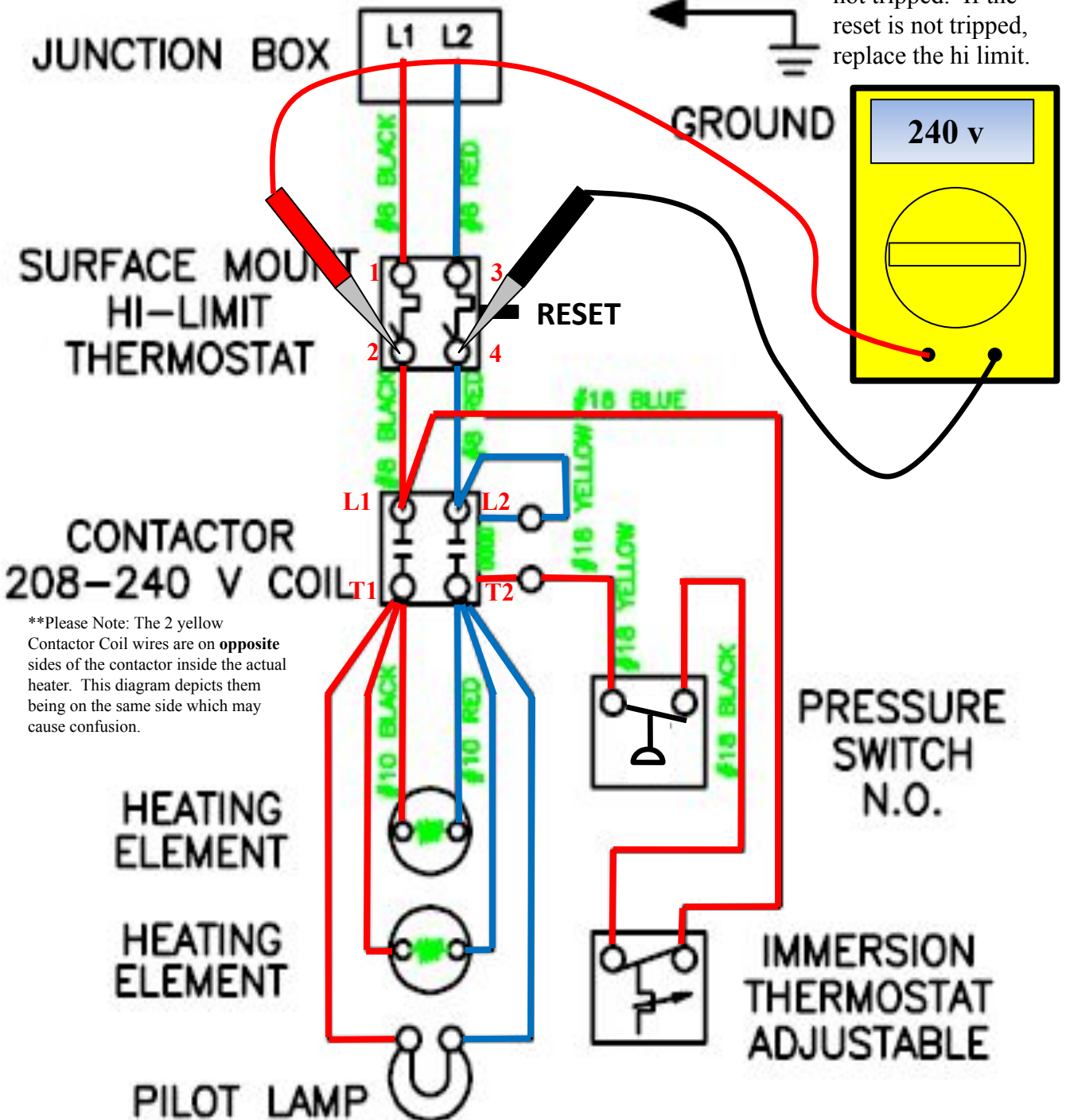
Fig. 1

1300729001

****Blue and Red lines on diagram represent opposite polarity**

240 VOLTS 11kw

If you do not have 240v between #2 and #4 on the surface mount hi limit (Thermodisc), press the reset to ensure it is not tripped. If the reset is not tripped, replace the hi limit.

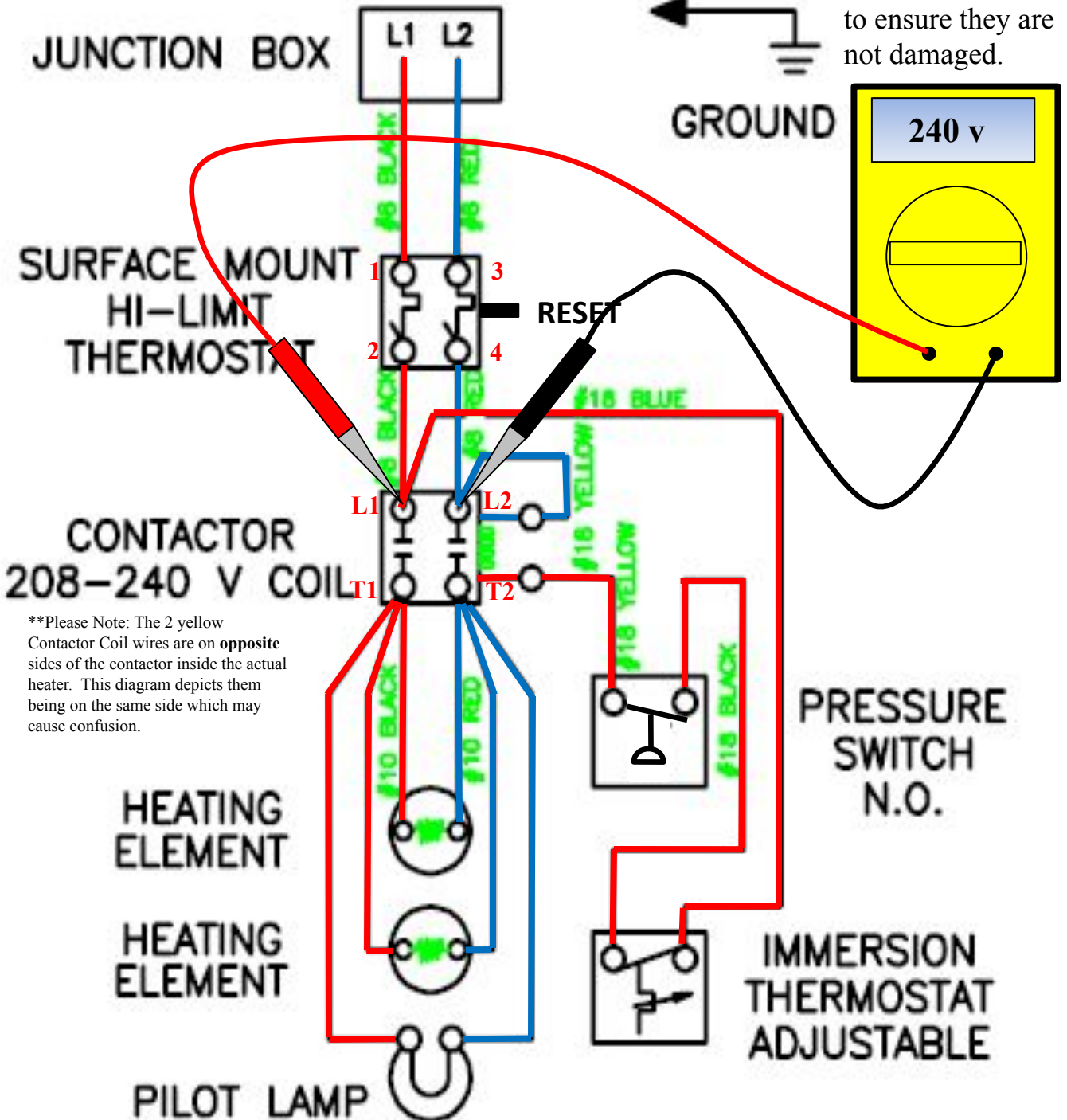


1300729001

**Blue and Red lines on diagram represent opposite polarity

240 VOLTS 11kw

If you do not have 240v on the bottom of the contactor between L1 and L2 check the #8 Red and #8 Black wires to ensure they are not damaged.



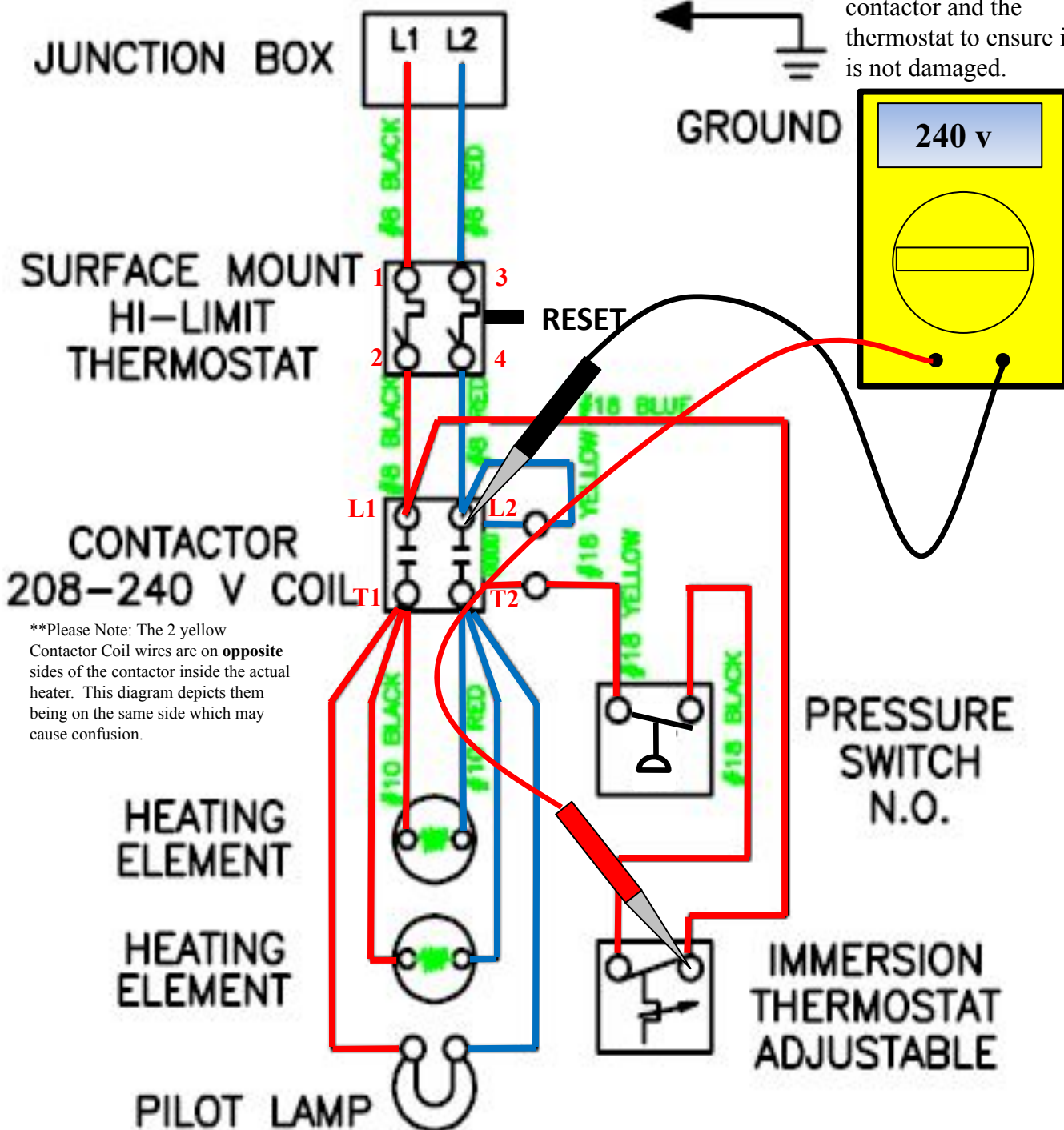
Please Note: The 2 yellow Contactor Coil wires are on **opposite sides of the contactor inside the actual heater. This diagram depicts them being on the same side which may cause confusion.

1300729001

**Blue and Red lines on diagram represent opposite polarity

240 VOLTS 11kw

If you do not have 240v between L2(Red Wire) on the bottom of the contactor and the blue wire on the thermostat, check the blue wire between the contactor and the thermostat to ensure it is not damaged.



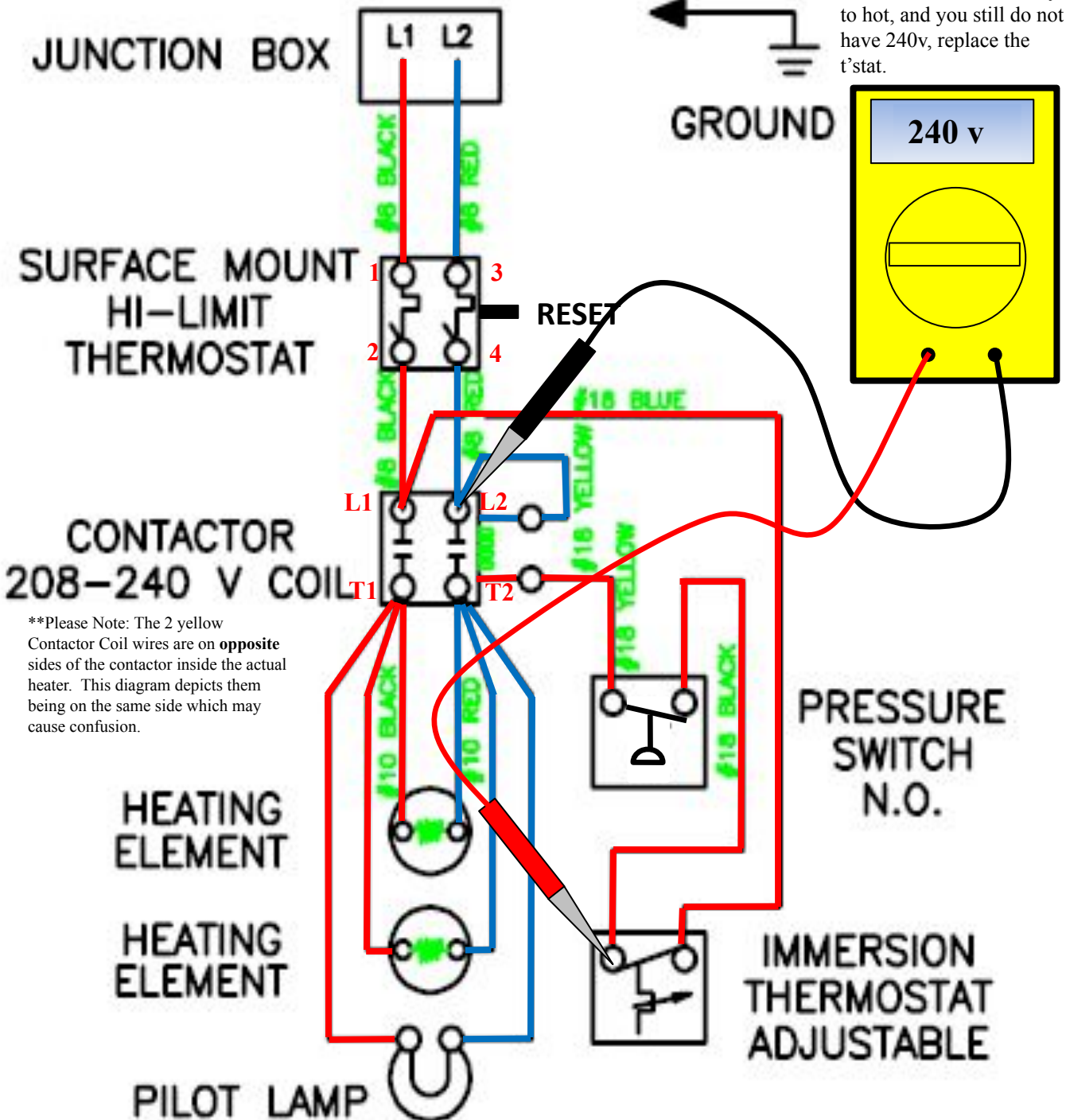
Please Note: The 2 yellow Contactor Coil wires are on **opposite sides of the contactor inside the actual heater. This diagram depicts them being on the same side which may cause confusion.

1300729001

**Blue and Red lines on diagram represent opposite polarity

240 VOLTS 11kw

If you do not have 240v between L2(Red Wire) on the bottom of the contactor and the black wire on the thermostat, ensure the t'stat is turned all the way to hot. If the t'stat is turned all the way to hot, and you still do not have 240v, replace the t'stat.



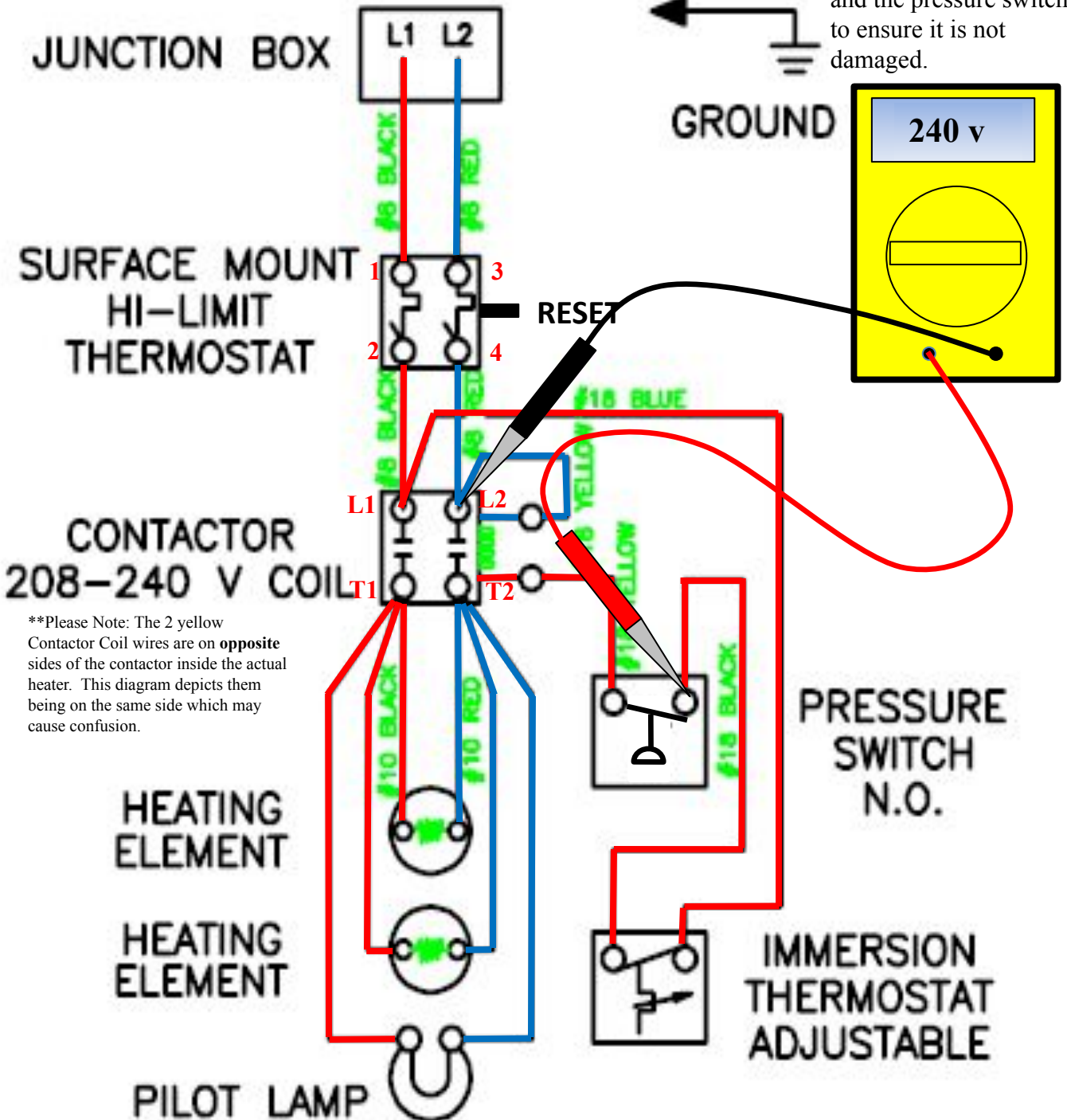
Please Note: The 2 yellow Contactor Coil wires are on **opposite sides of the contactor inside the actual heater. This diagram depicts them being on the same side which may cause confusion.

1300729001

**Blue and Red lines on diagram represent opposite polarity

240 VOLTS 11kw

If you do not have 240v between L2(Red Wire) on the bottom of the contactor and the black wire on the pressure switch, check the black wire between the t'stat and the pressure switch to ensure it is not damaged.



****Please Note:** The 2 yellow Contactor Coil wires are on **opposite** sides of the contactor inside the actual heater. This diagram depicts them being on the same side which may cause confusion.

1300729001

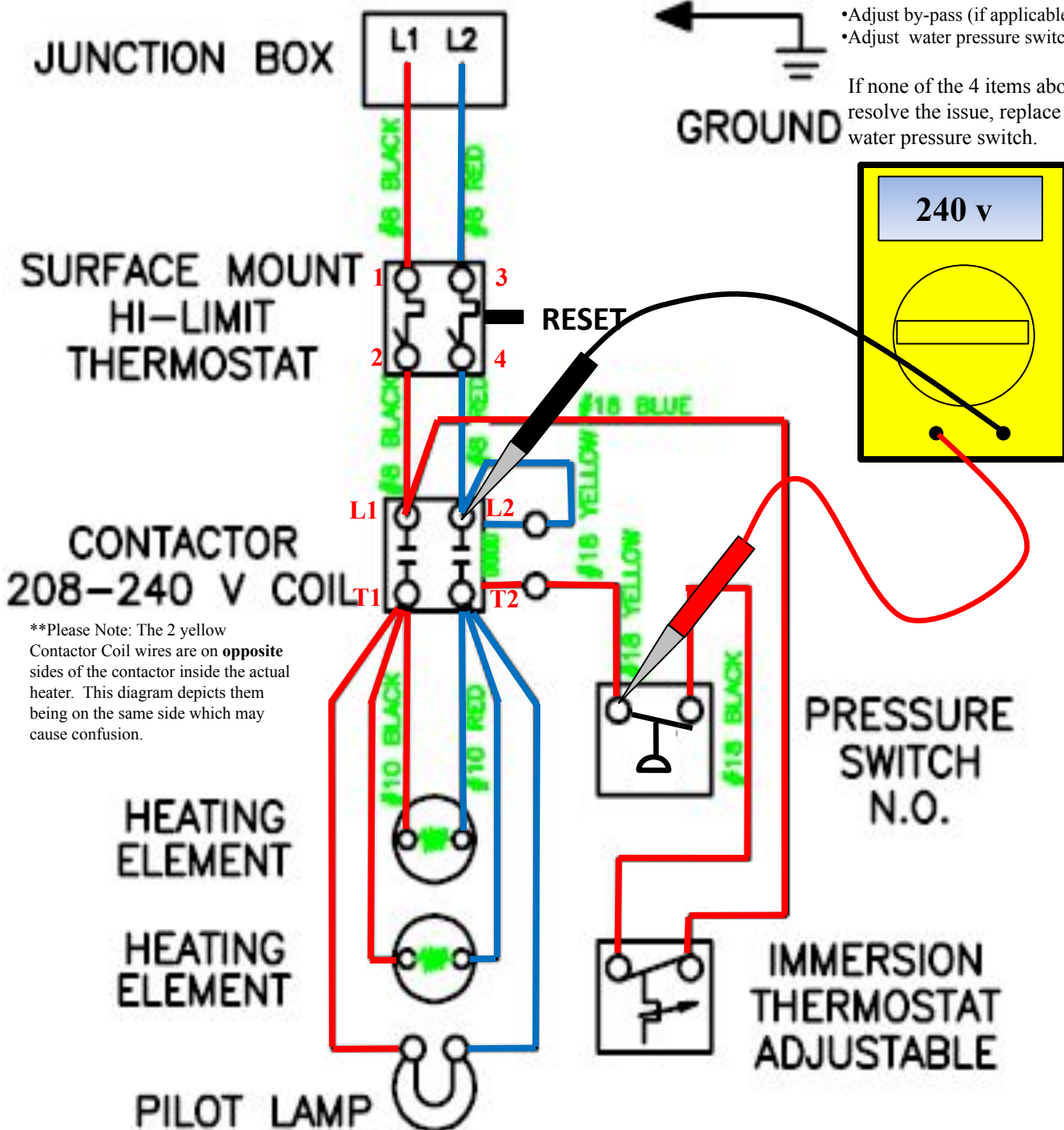
****Blue and Red lines on diagram represent opposite polarity**

240 VOLTS 11kw

If you do not have 240v between L2(Red Wire) on the bottom of the contactor and the yellow wire on the pressure switch do the following:

- Check water flow
- Clean filter
- Adjust by-pass (if applicable)
- Adjust water pressure switch.

If none of the 4 items above resolve the issue, replace the water pressure switch.



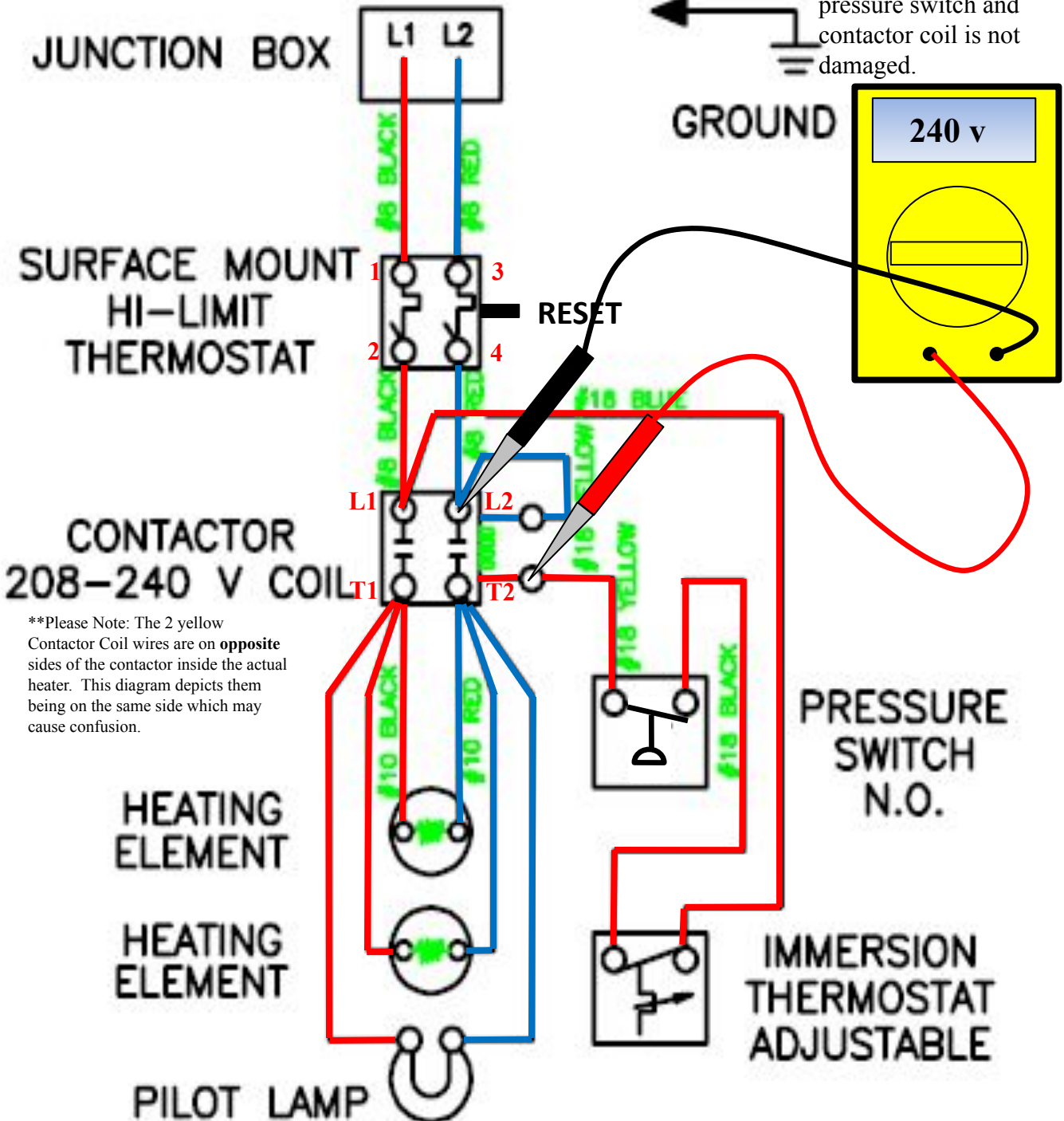
****Please Note:** The 2 yellow Contactor Coil wires are on **opposite** sides of the contactor inside the actual heater. This diagram depicts them being on the same side which may cause confusion.

1300729001

****Blue and Red lines on diagram represent opposite polarity**

240 VOLTS 11kw

If you do not have 240v between L2(Red Wire) on the bottom of the contactor and the yellow wire on the coil of the contactor, check to ensure the yellow wire between the water pressure switch and contactor coil is not damaged.



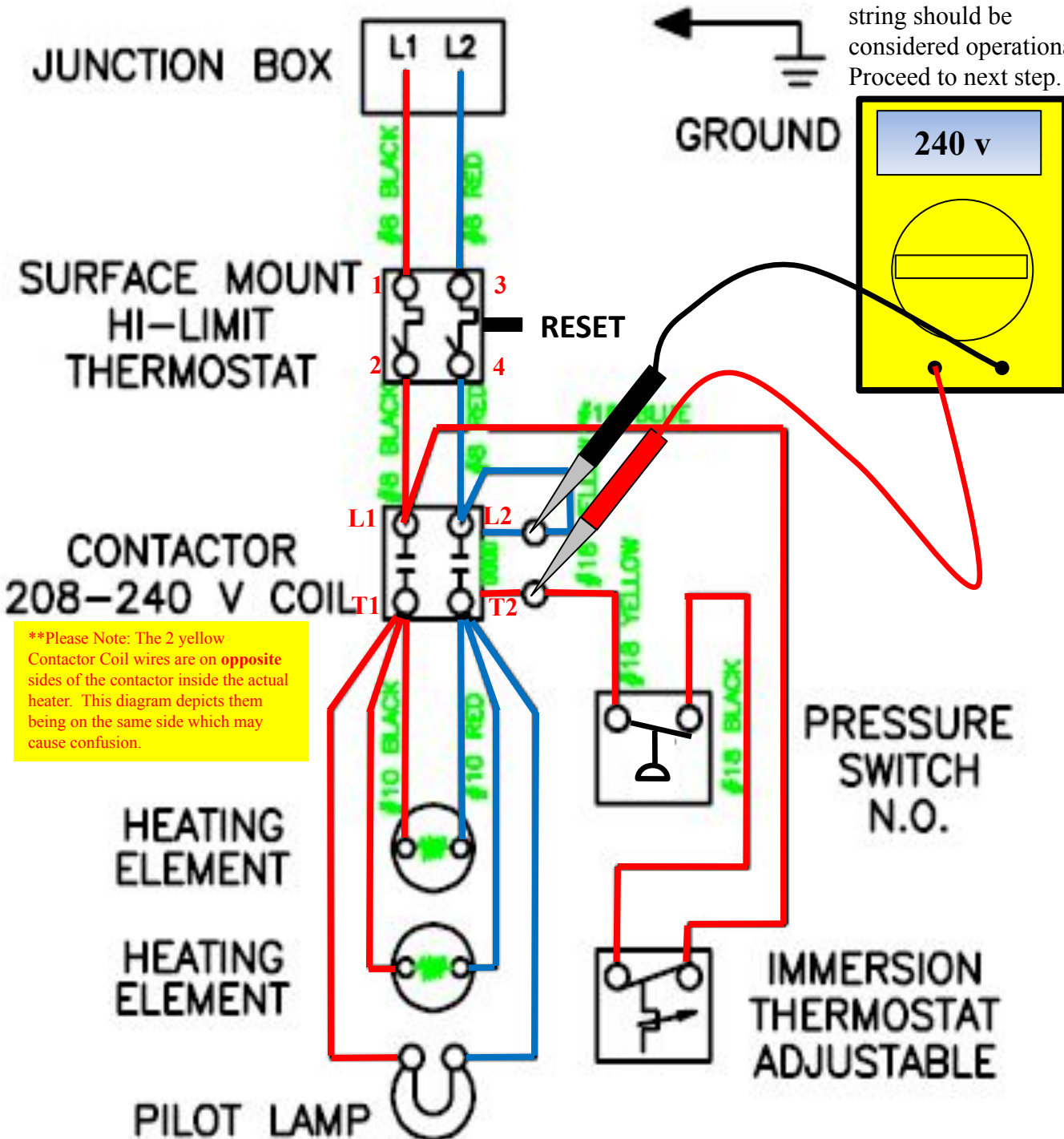
****Please Note:** The 2 yellow Contactor Coil wires are on **opposite** sides of the contactor inside the actual heater. This diagram depicts them being on the same side which may cause confusion.

1300729001

****Blue and Red lines on diagram represent opposite polarity**

240 VOLTS 11kw

Check for 240v between the 2 yellow wires on each side of the contactor coil. If you have 240v to this point all switches and wiring in limit the string should be considered operational. Proceed to next step.



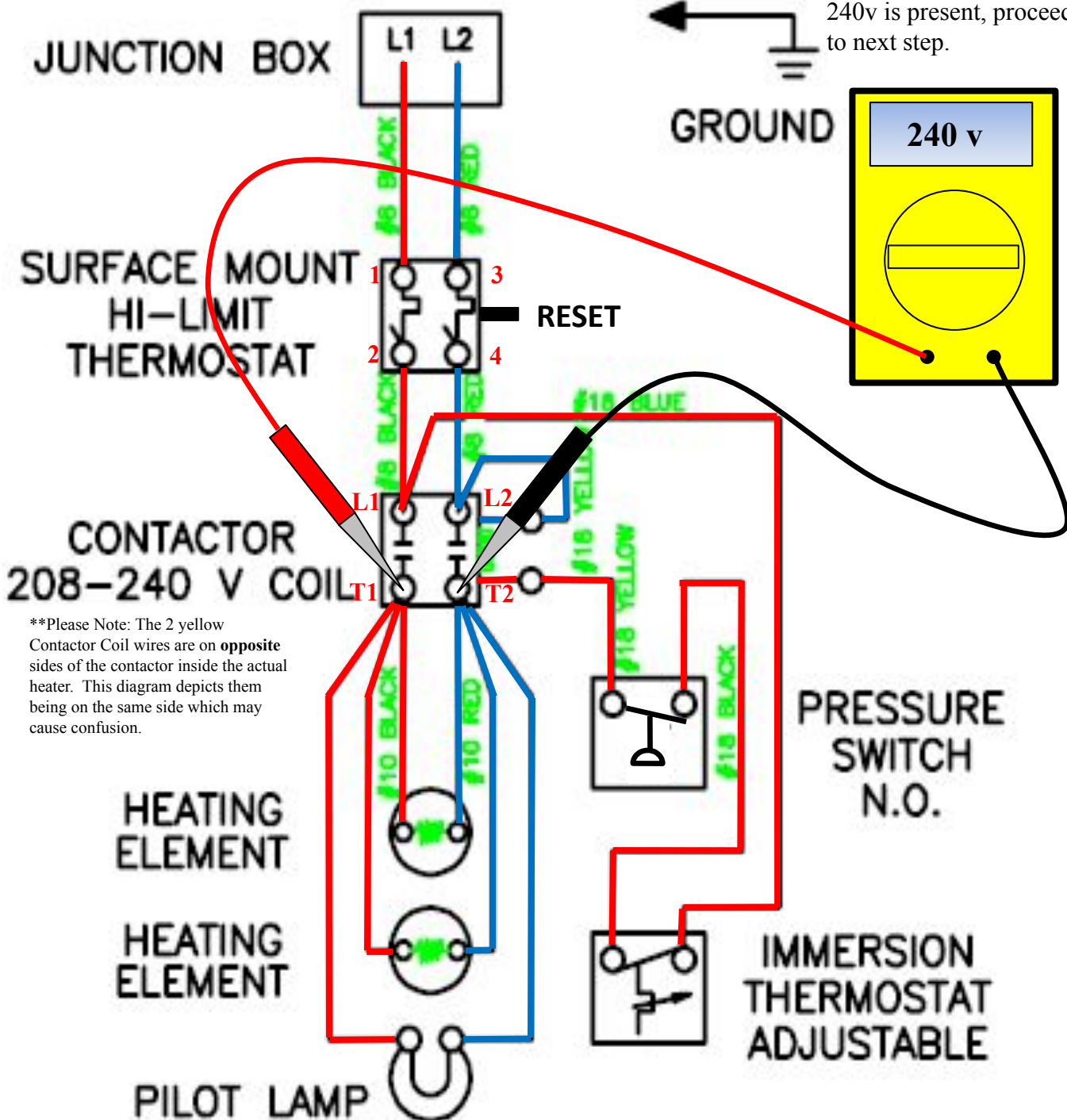
****Please Note:** The 2 yellow Contactor Coil wires are on **opposite** sides of the contactor inside the actual heater. This diagram depicts them being on the same side which may cause confusion.

1300729001

**Blue and Red lines on diagram represent opposite polarity

240 VOLTS 11kw

If you had 240v between the 2 yellow wires on the contactor coil on the previous step and you do not have 240v between T1(Black) and T2(Red), replace the contactor. If 240v is present, proceed to next step.



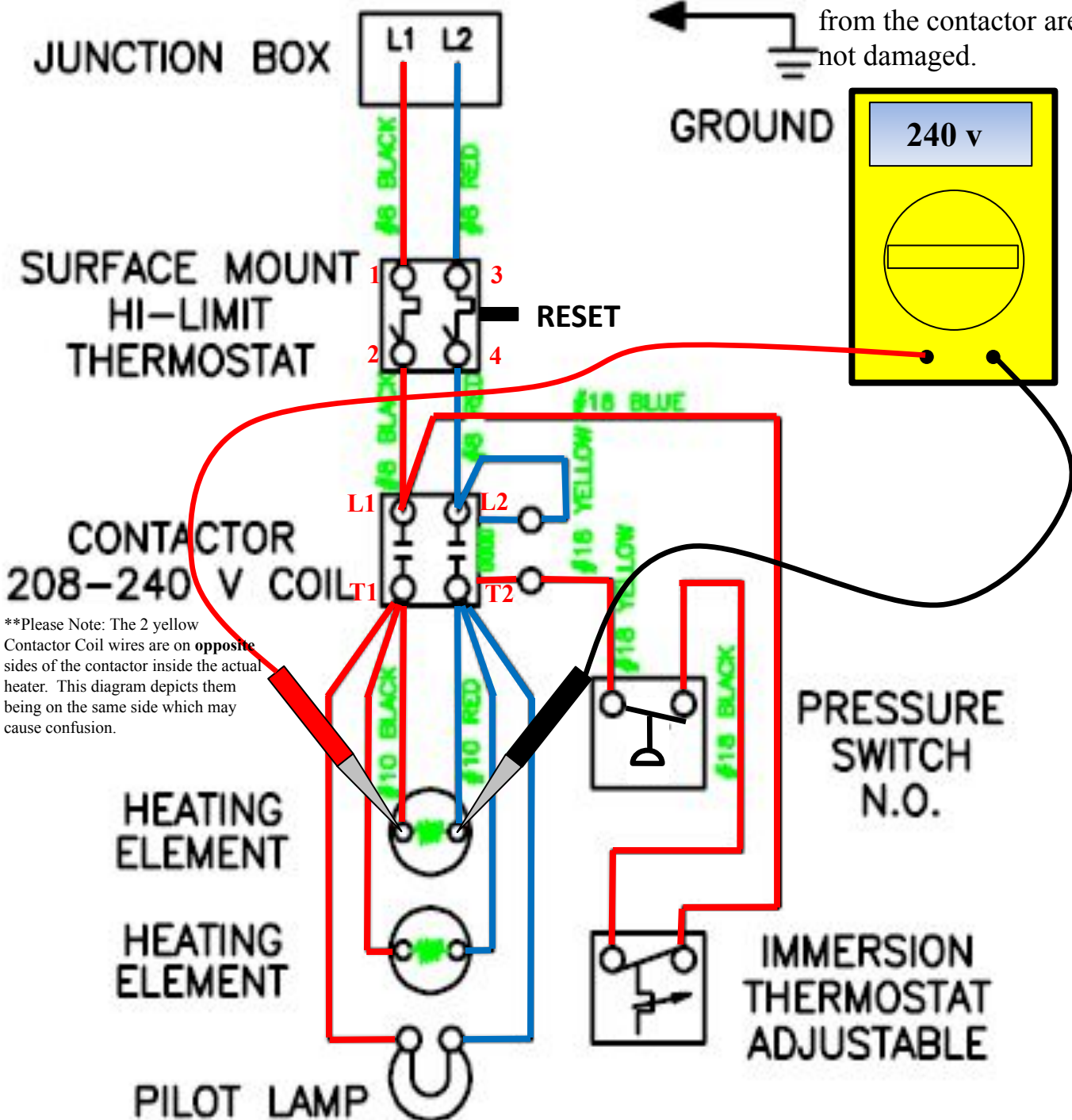
****Please Note:** The 2 yellow Contactor Coil wires are on **opposite** sides of the contactor inside the actual heater. This diagram depicts them being on the same side which may cause confusion.

1300729001

****Blue and Red lines on diagram represent opposite polarity**

240 VOLTS 11kw

If you do not have 240v between the two terminals on the top of the 1st contactor, check to ensure the Black and Red wires from the contactor are not damaged.



****Please Note:** The 2 yellow Contactor Coil wires are on **opposite** sides of the contactor inside the actual heater. This diagram depicts them being on the same side which may cause confusion.

1300729001

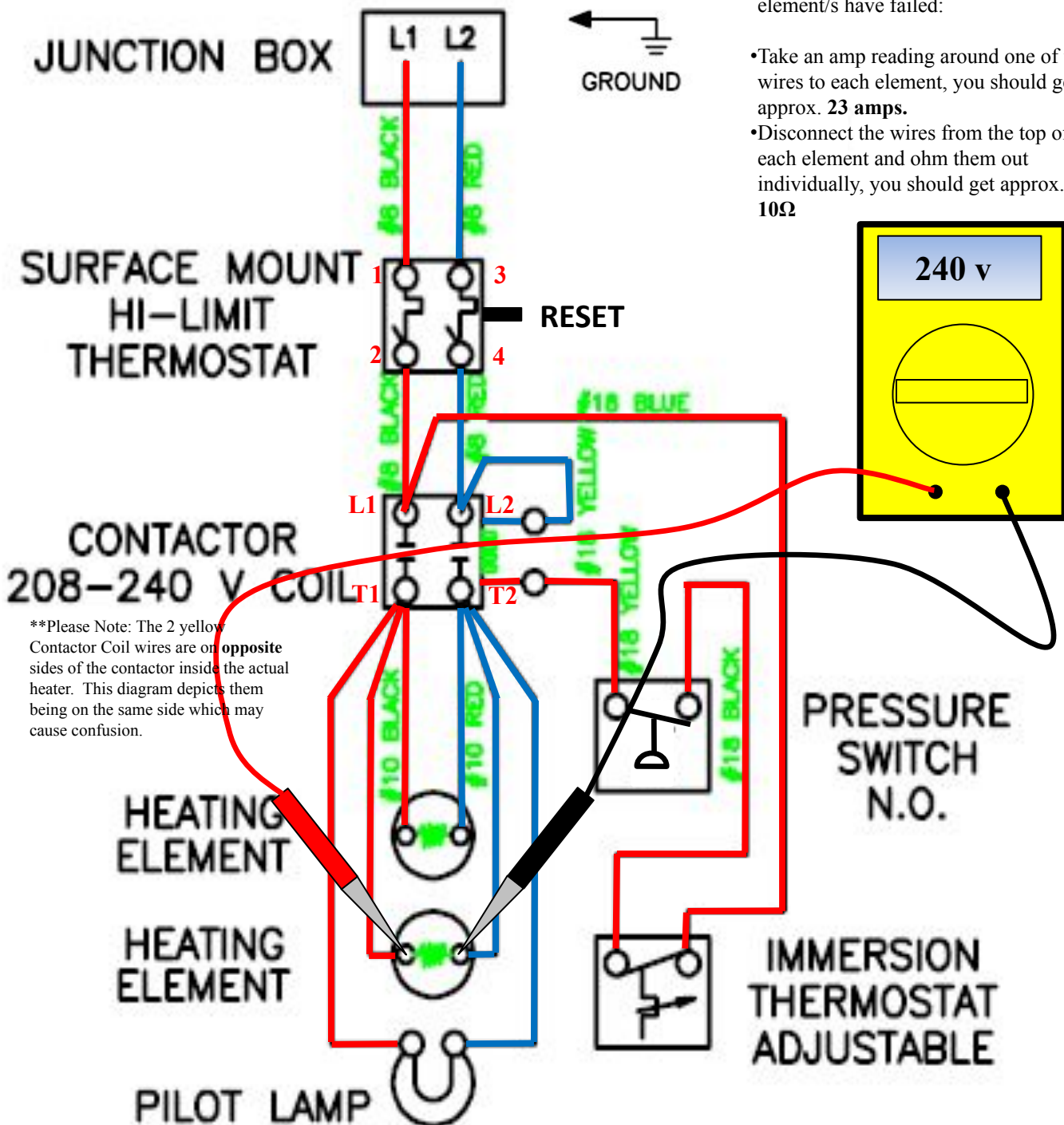
****Blue and Red lines on diagram represent opposite polarity**

240 VOLTS 11kw

If you do not have 240v between the two terminals on the top of the 2nd contactor, check to ensure the Black and Red wires from the contactor are not damaged.

If 240v is present and no heat is being produced 2 steps will determine which element/s have failed:

- Take an amp reading around one of the wires to each element, you should get approx. **23 amps**.
- Disconnect the wires from the top of each element and ohm them out individually, you should get approx. **10Ω**



Please Note: The 2 yellow Contactor Coil wires are on **opposite sides of the contactor inside the actual heater. This diagram depicts them being on the same side which may cause confusion.

1300729001

**Blue and Red lines on diagram represent opposite polarity