



## WATER FILTRATION MADE EASY.

The heavy-duty filters that go easy on the environment.

With a massive 700-ft.<sup>2</sup> of filter area and dual-quad cluster cartridge elements, HCF Series cartridge filters provide major debris-holding capacity and extra-long filter cycles. They also eliminate backwashing, saving thousands of gallons of heated, chemically-balanced pool water per month to minimize environmental impact.



### LARGE CAPACITY WITH LONGER CYCLES

When it comes to filters, bigger is better. HCF Series cartridge filters feature dual quad-cluster cartridge elements that provide over 700-ft.<sup>2</sup> of filter area, offering extra-large debris-holding capacity and extended filter cycles.



### REDUCED ENVIRONMENTAL AND OPERATIONAL COSTS

HCF Series cartridge filters eliminate backwashing, saving thousands of gallons of heated, chemically-balanced pool water per month. The result is a dramatic reduction in both operational costs and environmental impact.



### TOUGH DESIGN, SIMPLE MAINTENANCE

Injection molded from glass-reinforced copolymer material, HCF Series cartridge filters are made to withstand the rigors of commercial operation. A low-profile tank base and eight compact cartridges make cleaning and replacement fast and easy every time.



**Manual air relief valve** bleeds air with a quick quarter turn of the lever

**Combination pressure and filter cleaning-cycle indicator gauge** visually indicates when filter needs cleaning

**Dual quad-cluster cartridge elements** provide 700 ft<sup>2</sup> of filter area for extra dirt-holding capacity and extended filter cycles

**CPVC union coupling connection** provides 2" or 2½" plumbing options with 2" full-flow internal piping for maximum performance

**Noryl® bulkhead fittings** provide extra strength and heat resistance

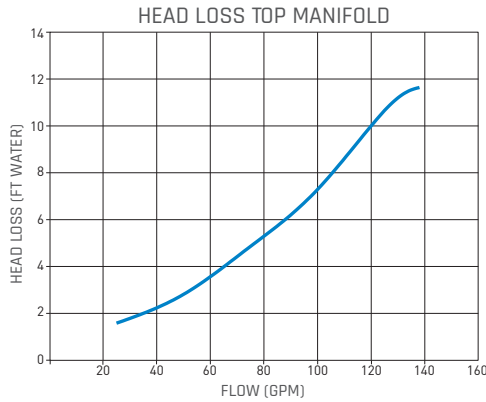
**Top manifold design** provides excellent hydraulic performance

**Self-aligned tank top and bottom** provide easy service access to cartridge elements

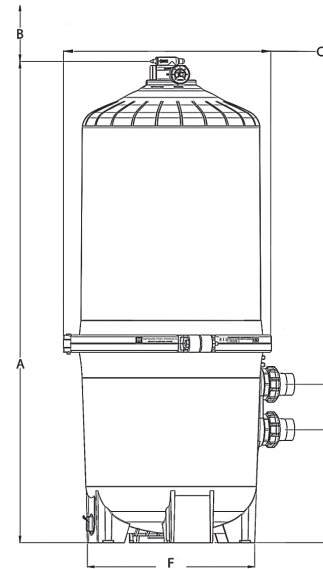
**Heavy-duty, tamper-proof, one-piece clamp** offers quick access to all internal components without disturbing connections

**Injection-molded, glass-reinforced copolymer material** stands up to the toughest environmental conditions

**Full-size 1½" integral drain** provides fast flushing and clean-out



GPM	HLF
0	-0.5
25	1.58
50	2.81
75	4.86
100	7.29
125	10.66
138	11.64



**TECHNICAL SPECIFICATIONS AND PERFORMANCE DATA**

PART NUMBER	HCF7030C
Product Dimensions	52.5" Tall, 26" Diameter
Effective Filtration Area	700 ft <sup>2</sup>
Design Flow Rate	150 GPM*
Filter Type	Dual Quad-Cluster Polyester Cartridge
Filter Tank	Injection Molded Glass-Reinforced Co-Polymer
Filter Elements	Eight Reinforced Polyester Cartridges
Performance Range	½ to 3 HP (30 to 150 GPM) .37 to 2.24 kW (114 to 568 LPM)
CX591XREPAK4 (4-Pack)	2/ea 4-Packs Required Per Filter
Maximum Working Pressure	50 psi
Turnover (in gallons) 30 min	4,500
Turnover (in gallons) 1 hrs	9,000
Turnover (in gallons) 2 hrs	18,000
Turnover (in gallons) 4 hrs	36,000
Turnover (in gallons) 6 hrs	54,000
Turnover (in gallons) 8 hrs	72,000
Product Weight	77 lbs.

**DIMENSIONS (INCHES)**

A	B**	C	D	E	F
52.5	28	26	5	12.5	18

\*Determined by pump size and piping system hydraulics, 2½" piping is recommended for flow rates equal to or greater than 90 GPM (341 LPM). Hayward doesn't recommend flow rates above 150 GPM.

\*\*B = Vertical Clearance

» [haywardcommercialpool.com](http://haywardcommercialpool.com) » 1-800-HAYWARD

Hayward, Hayward & Design and the H logo are registered trademarks of Hayward Industries, Inc. All other trademarks not owned by Hayward are the property of their respective owners. Hayward is not in any way affiliated with or endorsed by those third parties. © 2024 Hayward Industries, Inc.

 **INNOVATION MADE EASY.**

CMCHCFSS24