



Water Bowl

Water Feature With LED Lighting

Owner's Manual



Contents

Introduction.....	2
Installation.....	2
Plumbing.....	5
Electrical Wiring.....	6
Bowl Installation.....	9
Operation.....	10
Maintenance.....	12
Replacement Parts.....	13
Warranty.....	14

WFBRNDBRS
 WFBRNDBRNZ
 WFBRNDCLR
 WFBRNDCLR
 WFBRNDCLR
 WFBRNDGPR
 WFBRNDGPR
 WFBRNDGPR
 WFBRNDGPR
 WFBRNDGPR
 WFBRNDGPR
 WFBRNDGPR

WFBSQRBRS
 WFBSQRBRNZ
 WFBSQRCLR
 WFBSQRCLR
 WFBSQRCLR
 WFBSQRCLR
 WFBSQRCLR
 WFBSQRCLR
 WFBSQRCLR
 WFBSQRCLR
 WFBSQRCLR
 WFBSQRCLR

LBCUS11100L
 LBCUS11150L
 LBCUS11100LP
 LBCUS11150LP

Hayward Industries
 1415 Vantage Park Dr., Suite 400
 Charlotte, NC 28203
 Phone: (908) 355-7995
www.hayward.com



HAYWARD®

IMPORTANT SAFETY INSTRUCTIONS

When using this electrical equipment, basic safety precautions should always be followed, including the following:



READ AND FOLLOW ALL INSTRUCTIONS

▲ WARNING - Read and follow all instructions in this owner's manual and on the equipment. Failure to follow instructions can cause severe injury and/or death.



▲ WARNING - ELECTRIC SHOCK HAZARD. MOUNTING A LUMINAIRE THAT REQUIRES BONDING OR GROUNDING IN THIS NICHE CAN CAUSE SEVERE INJURY AND/OR DEATH. DO NOT MOUNT NON-UL LISTED LIGHTS OR ANY LUMINAIRE THAT REQUIRES BONDING OR GROUNDING IN THIS NICHE.



▲ WARNING - Risk of Electric Shock. Hazardous voltage can shock, burn, and cause death or serious property damage. All electrical wiring MUST be in conformance with applicable local codes, regulations, and the National Electrical Code (NEC). To reduce the risk of electric shock, do NOT use an extension cord to connect unit to electric supply. Provide a properly located electrical receptacle. Before working on any electrical equipment, turn off power supply to the equipment.



▲ WARNING - Risk of Electric Shock. Opening light can cause shock, burn and severe injury. Light has no user serviceable parts inside. Do not open light.

▲ NOTICE - This swimming pool product is UL listed for permanently installed pools or spas only. It is not listed for storable pools or spas. Permanently installed pools and spas are those constructed in or partially in the ground and all others capable of holding water in a depth greater than 42 in (1.07 m). Storable pools and spas are those constructed on or above the ground and capable of holding water to a maximum of 42 in (1.07 m).



▲ WARNING - Electrical shock hazard. Damage to wiring can cause severe injury or death. To reduce the risk of electric shock replace damaged wiring immediately. Locate conduit to prevent abuse from lawn mowers, hedge trimmers and other equipment.

Except when the luminaire is installed in an area of the swimming pool that is not used for swimming and the lens is adequately guarded to keep any person from contacting it, the luminaire shall be installed in or on a wall of the pool, with the top of the lens opening not less than 457mm (18 inches) below the normal water level of the pool.

SAVE THESE INSTRUCTIONS



Introduction

The Hayward Water Bowl is a bowl-shaped water feature containing an LED light that together create a stunning flickering fire effect designed to enhance your backyard pool or spa experience. The Water Bowl must be installed as specified by these instructions. Please follow ALL of the instructions enclosed with this unit. It is recommended to keep the unit in its original packaging until the site is prepared for installation.

What's Included

Item #	Part Description	Quantity
1	Bowl Assembly (round or square)	1
2	Water Spout Assembly	1

Sold Separately

Part Number	Part Description	Quantity
LBCUS11100L	LED Light and Niche Assembly 100'	1
LBCUS11150L	LED Light and Niche Assembly 150'	1
LBCUS11100LP	LED P Light and Niche Assembly 100'	1
LBCUS11150LP	LED P Light and Niche Assembly 150'	1

Installation

Preparation

Determine the install location(s) for the Water Bowl. Be sure to follow all NEC and local codes during installation. For optimal performance, the lip of the bowl should slightly hang over the edge of the pool or spa. The electrical junction box and/or low voltage swimming pool transformer should be located at least 48 inches from the edge of the pool or spa and at least 4 inches above ground and 8 inches above the bowl's water level.

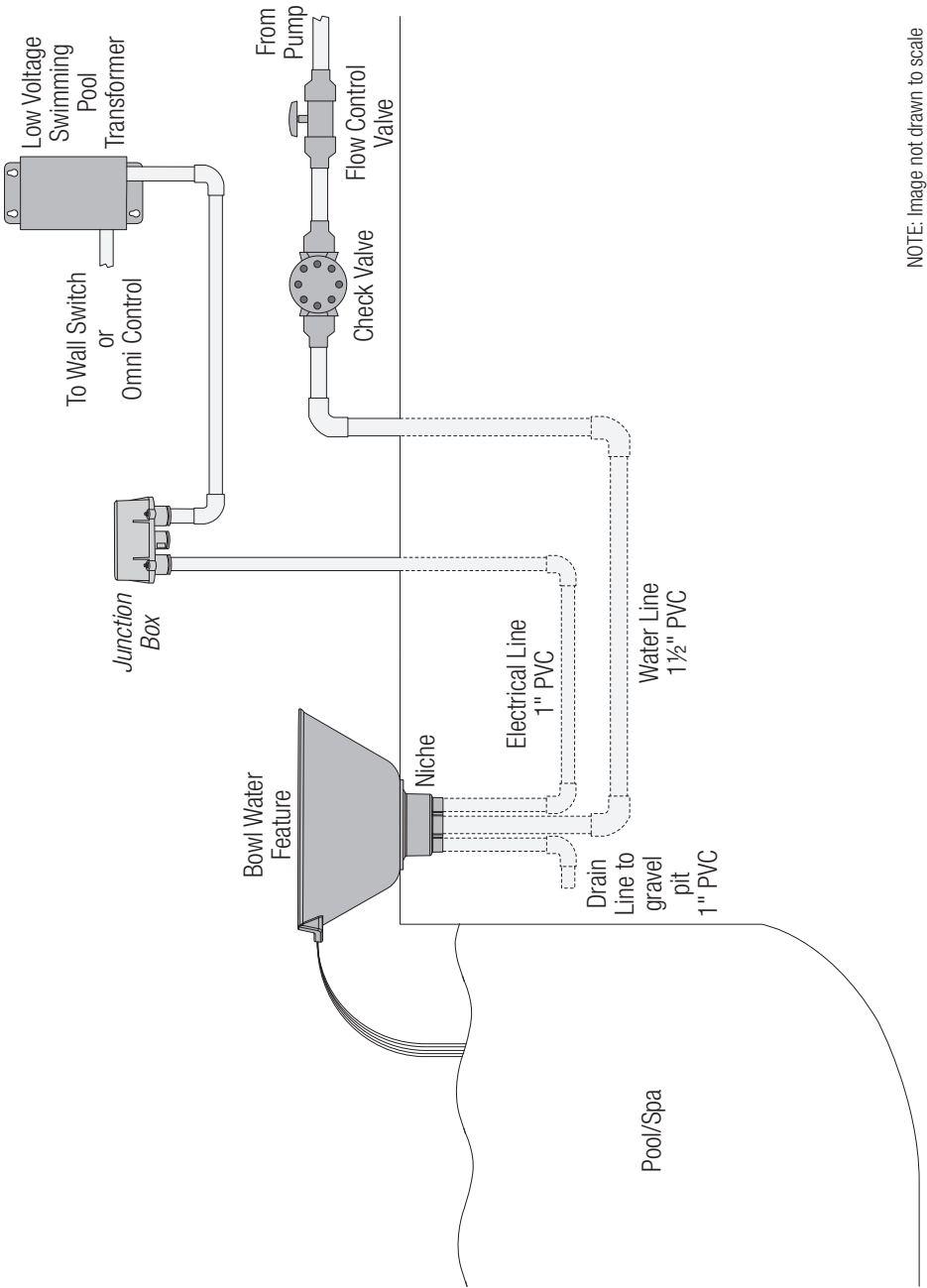
Once you have determined the install location(s), gather all necessary tools and refer to the following sections to rough-in plumbing and electrical lines.

Overview

Refer to the diagram on the following page for a basic installation overview. Note that the plumbing for the Water Bowl requires a check valve to prevent drain off when the system is not in use. A flow control valve should also be used in order to obtain the optimal water effect in the bowl.

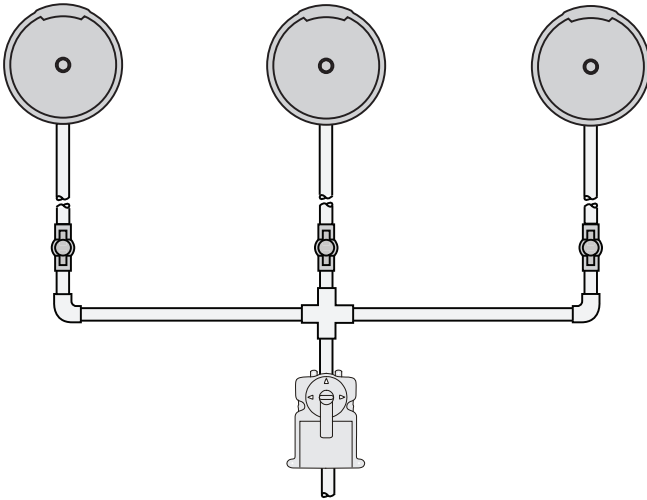


HAYWARD®

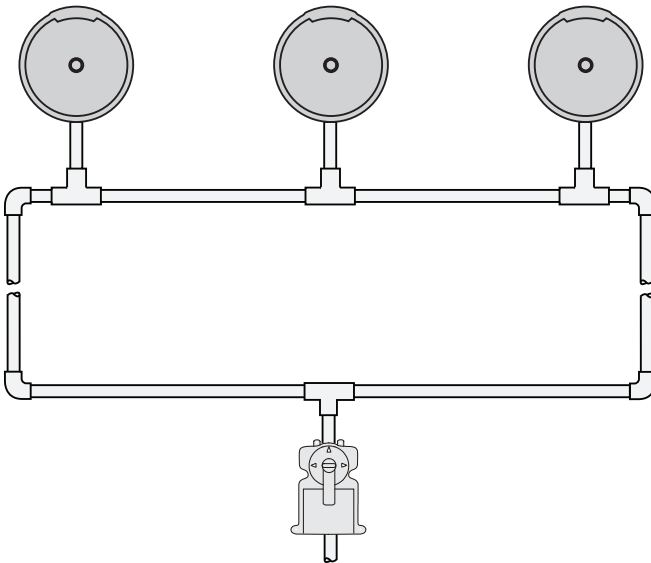


NOTE: Image not drawn to scale

Use individual flow control valves for bowls plumbed at different distances.



Use looped plumbing for bowls plumbed at the same distance.

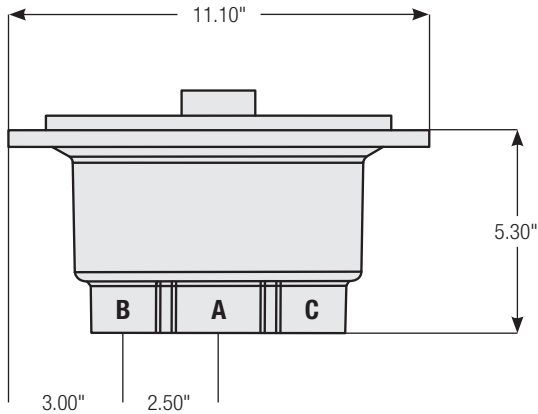




HAYWARD®

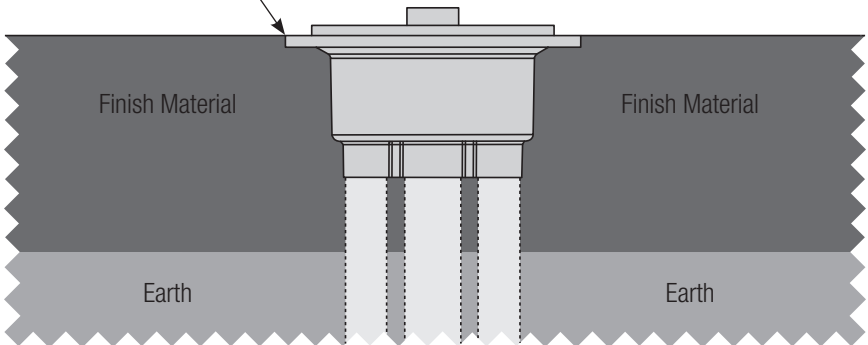
Plumbing

Before installing the Water Bowl, rough-in plumbing pipe and electrical conduit. Refer to the diagram below for niche dimensions.



- Step 1:** Rough-in water supply line (A) plumbing run using 1½" Schedule 40 PVC pipe.
- Step 2:** Rough-in drain line (B) plumbing run using 1" Schedule 40 PVC pipe.
- Step 3:** Rough-in electrical line (C) plumbing run using 1" Schedule 40 PVC pipe.
- Step 4:** Solvent bond niche to the water line, drain line, and electrical line pipes using PVC glue.
- Step 5:** Backfill the cavity around the niche up to the flange as shown in the diagram below.

Finish material should be flush with top of niche flange



- Step 6:** Finish plumbing water line, electrical line, and drain line as shown in the overview diagram on page 3.



Electrical Wiring

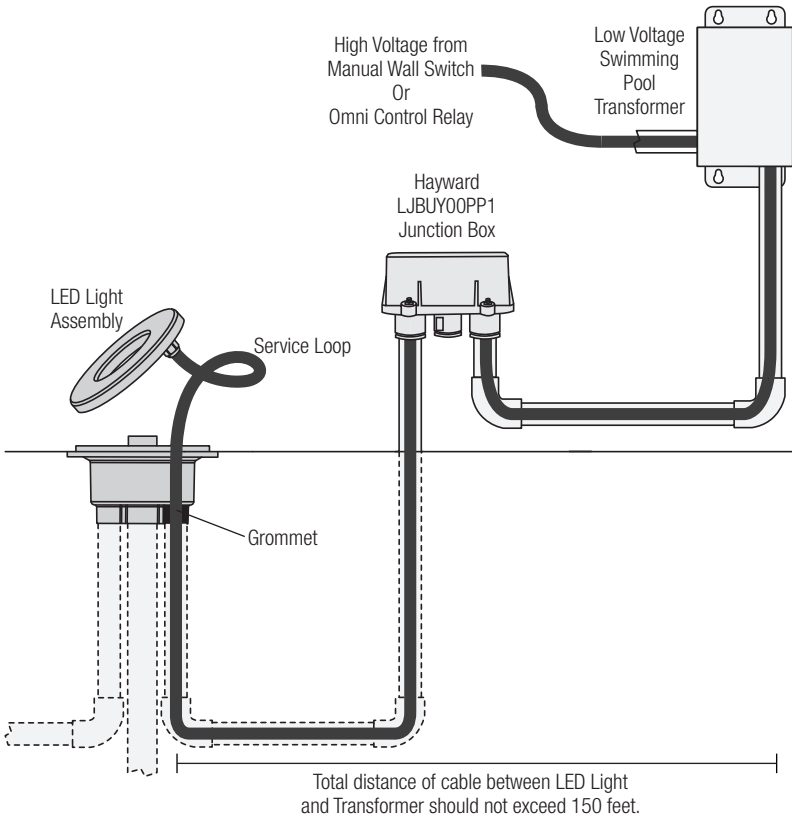
The Water Bowl's LED Light (sold separately) requires the use of a low voltage swimming pool transformer (not included). See chart below to determine the type of transformer you will need based on the number of LED Lights used. When considering the number of transformers required, note that one light is 25W and the load on a transformer should not exceed 80% of the maximum wattage.

Number of Lights	Type of Transformer
1-2	70W
3-9	300W
10+	Multiple Transformers

NOTE: Any lights wired to the same transformer will run together. If independent operation is desired, then each light or group of lights will require their own separate transformer and relay.

Wiring Overview

Refer to the wiring overview diagram below and the steps on the following pages for wiring instructions.





Step 1: Running the Cable

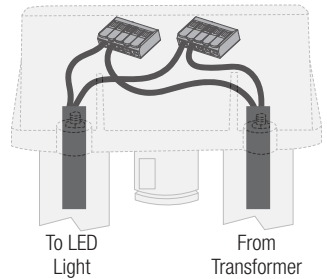
With the niche now installed, it is time to run the wiring cable from the LED light to the junction box or low voltage transformer. Note that the maximum cable length between the Water Bowl niche and the low voltage transformer should not exceed 150 feet. Feed the cable through the electrical line until you have about 12-24 inches of service loop in the niche. At the junction box/transformer, cut the extra cord leaving enough for wiring.

If using an optional junction box - run the cable from the junction box to the low voltage transformer. Cut the extra cord at both the junction box and the transformer leaving enough for wiring.

Run the cable from the power source – either a manual wall switch or an Omni control relay – to the low voltage transformer. Cut the extra cord at both ends leaving enough for wiring.

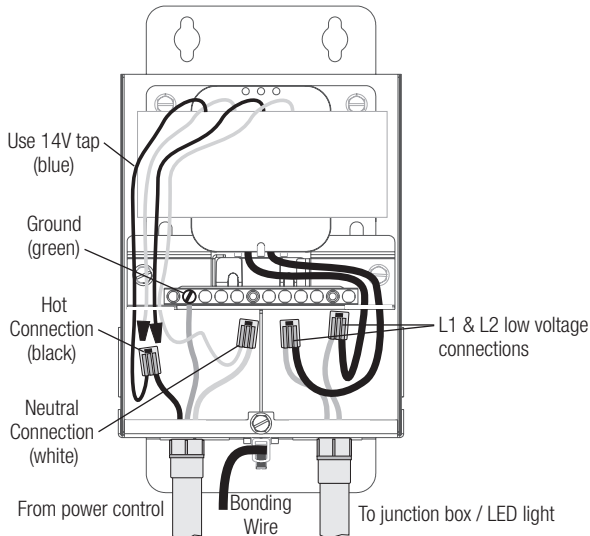
Step 2: Junction Box Wiring (optional)

A junction box is useful if multiple Water Bowl LED Lights will be wired together. To make connections easier, it is recommended to use Wago 221 Series lever nuts (pictured in graphic to the right) but standard electrical wire nuts can also be used.



Step 3: Low Voltage Transformer Wiring

Refer to the following graphic when using a Hayward 300W transformer. For other listed swimming pool transformers, refer to their included instructions. Be sure to follow all NEC and local codes when wiring.

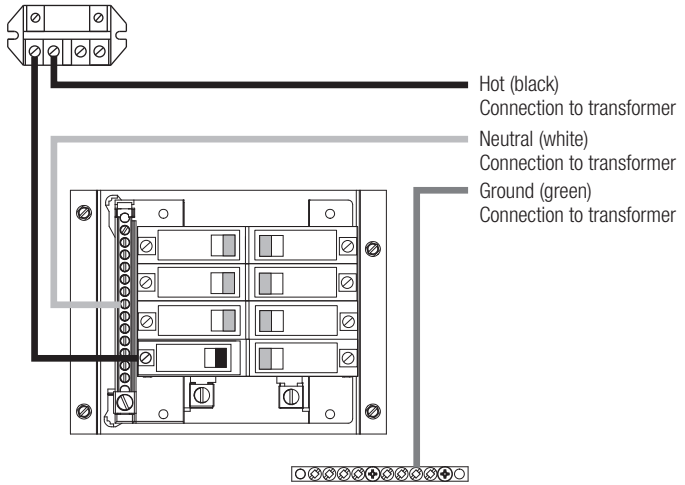




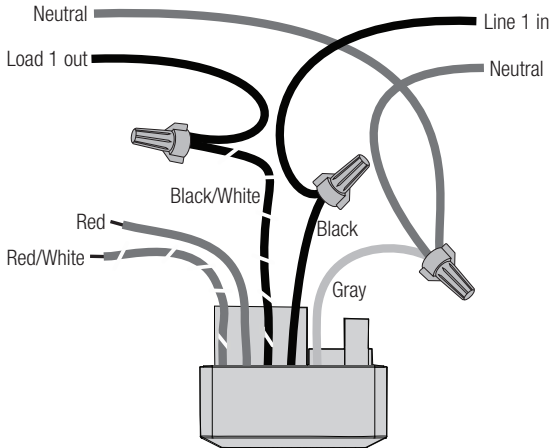
Step 4: Power Control Wiring

When wiring to a wall switch, follow the directions in the manual provided with that product. When wiring to an Omni control relay or an Omni Smart Relay, refer to the graphics below. Be sure to follow all NEC and local codes when wiring.

Omni Standard Relay Wiring



Omni Smart Relay Wiring





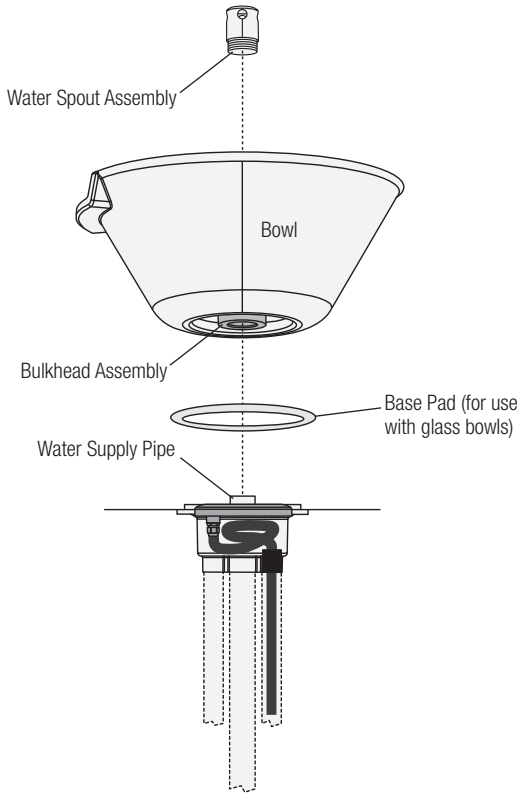
HAYWARD®

Step 5: Set LED Light in Niche

With wiring complete, the LED light is ready to be set in the niche. Seal the gap around the power cable in the electrical line in the niche using the rubber grommet that is pre-installed on the power cable. Once sealed, gently set the LED light assembly onto the ribs in the niche so it is seated properly. **IMPORTANT:** Since the bowl will rest on top of this surface, make sure that the LED light assembly is seated properly so it is not damaged.

Bowl Installation

Refer to graphic below and the following steps for bowl installation.

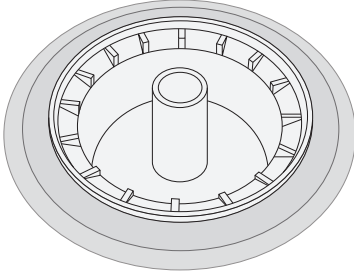


Step 1 - For Glass Bowl Installations: When installing a glass bowl, the use of a base pad is recommended to prevent damage to the bowl. Place the base pad over the niche collar as shown on the following page. For square bowl installations, make sure that the edge of the base pad is aligned with the edge of the pool deck.

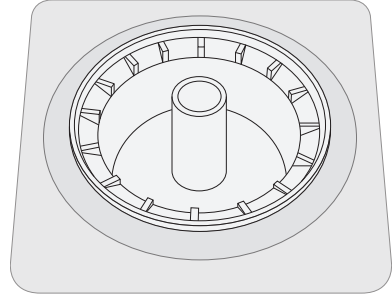


HAYWARD®

Round Base Pad Installation



Square Base Pad Installation



Step 2: Use PVC glue on the inside of the bulkhead assembly and around the center of the water supply pipe. Be careful not to get any glue on the LED light. With two people, carefully lower the bowl and bulkhead assembly over the niche pipe so it rests firmly on the niche flange.

Step 3: Screw the water spout assembly into the bulkhead assembly in the center of the bowl as shown above.

Operation

When operating the Water Bowl, it is recommended to keep the water flow between 15-20 GPM, but the gpm can vary as the ideal water effect is up to the user's personal preference. See chart below for gpm range.

GPM Range	Outcome
< 10 gpm	Not enough water flow
10 - 24 gpm	Acceptable range
15 - 20 gpm	"Ideal" range
≥ 25 gpm	Bowl will overflow

Manual Control (LBCUS11100LP & LBCUS11150LP)

Turn on power to the pump controlling the Water Bowl system as well as the switch for the LED light(s). Adjust the flow control valve(s) until the ideal water effect is achieved in the bowl.

The LBCUS11100LP & LBCUS11150LP lights can be controlled in 2 modes: P-mode and Water Fire mode. In P-mode, manually toggling power to the lights (quickly turning the light off and then back on) will change the color of the light. In Water Fire mode, the light will flicker in a red-orange color to simulate a fire effect in the Water Bowl feature. The factory default mode is P-mode.



HAYWARD®

To change the light mode, follow the procedure below.

1. Turn on the light(s)
- 2a. Quickly toggle the light OFF and then ON, 17 times. This will put the light into P-mode.
- 2b. Quickly toggle the light OFF and then ON, 15 times. This will put the light into Water Fire mode.

Manual Control (LBCUS11100L & LBCUS11150L)

Turn on power to the pump controlling the Water Bowl system as well as the switch for the LED light(s). Adjust the flow control valve(s) until the ideal water effect is achieved in the bowl.

When using a wall switch to control the light, the light must be set to UCL (Universal ColorLogic) mode. This will allow the light to be controlled through power-cycling. The light should already be set to UCL mode from the factory but if the light mode needs to be set, see the procedure on page 12. To activate the light, simply turn on the switch powering the transformer. To deactivate the light, turn off the switch. To advance to the next light program (fixed color or color show), turn the switch off, then back on again within 10 seconds.

When the light has been off for over 60 seconds, and is first turned on, it will come on in white for 15 seconds for quick clear view of your pool, then go to the last fixed color or color show that was running. Note: Do not power cycle the light during the first 15 seconds of white to preclude risk of loss of synchronization with other connected lights.

When in UCL mode, the light has the capability to display 17 different programs; 10 fixed colors and 7 color-changing shows. These programs are advanced using power-cycling – quickly toggling power to the light. The programs are listed below:

- | | | |
|--------------------------|------------------------|-----------------------|
| 1. Show-Voodoo Lounge | 7. Fixed-Cloud White | 13. Show-Tranquility |
| 2. Fixed-Deep Blue Sea | 8. Fixed-Warm Red | 14. Show-Gemstone |
| 3. Fixed-Royal Blue | 9. Fixed-Flamingo | 15. Show-USA |
| 4. Fixed-Afternoon Skies | 10. Fixed-Vivid Violet | 16. Show-Mardi Gras |
| 5. Fixed-Aqua Green | 11. Fixed-Sangria | 17. Show-Cool Cabaret |
| 6. Fixed-Emerald | 12. Show-Twilight | |

If you have multiple lights running together and they become out of sync, you can resync the lights by following the steps below:

1. Turn lights on.
2. Turn the lights OFF for between 11-15 seconds, and then back ON.

Omni Automation Control (LBCUS11100L & LBCUS11150L)

When using an Omni controller, the light can be set to Omni Direct mode which allows for direct toggling to the selected show/color as well as 10 additional fixed color options, brightness control, and speed control. Refer to the Configuration section of your Omni controller manual for instructions on configuring a light and configuring a water feature. Note that the light mode can be changed from the configuration menu of the Omni control, but if the mode needs to be changed manually, follow the procedure on the following page.



When configuration is complete, turn on the water feature from the Omni controller. Adjust the flow control valve until the ideal water effect is achieved in the bowl.

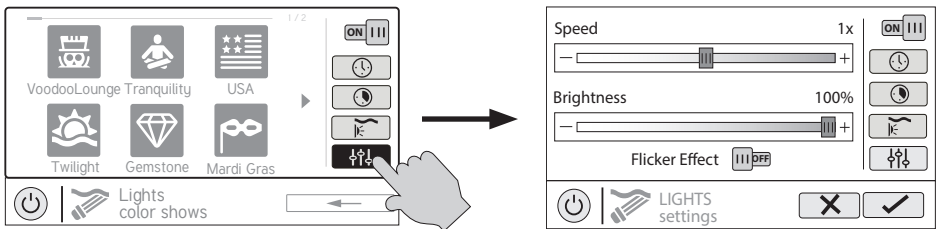
To activate the light from the Omni control, simply navigate to the light menu and press the on/off. The light show can also be changed from this menu, and schedules and countdown timers can be set.

When in Omni Direct mode, the light has the capability to display 17 different programs; 20 fixed colors and 7 color-changing shows. These light programs are listed below:

- | | | |
|--------------------------|-----------------------|-------------------------|
| 1. Show-Voodoo Lounge | 11. Fixed-Sangria | 20. Fixed-Orange |
| 2. Fixed-Deep Blue Sea | 12. Fixed-Twilight | 21. Fixed-Gold |
| 3. Fixed-Royal Blue | 13. Show-Tranquility | 22. Fixed-Mint |
| 4. Fixed-Afternoon Skies | 14. Show-Gemstone | 23. Fixed-Teal |
| 5. Fixed-Aqua Green | 15. Show-USA | 24. Fixed-Burnt Orange |
| 6. Fixed-Emerald | 16. Show-Mardi Gras | 25. Fixed-Pure White |
| 7. Fixed-Cloud White | 17. Show-Cool Cabaret | 26. Fixed-Crisp White |
| 8. Fixed-Warm Red | 18. Show-Water Fire | 27. Fixed-Warm White |
| 9. Fixed-Flamingo | 19. Fixed-Yellow | 28. Fixed-Bright Yellow |
| 10. Fixed-Vivid Violet | | |

When the light has been off for over 60 seconds, and is first turned on, it will come on in white for 15 seconds for quick clear view of your pool, then go to the last fixed color or color show that was running. Note: Do not power cycle the light during the first 15 seconds of white to preclude risk of loss of synchronization with other connected lights.

When in Omni Direct mode, the speed and brightness of the light shows can be changed on the screen shown below. "Flicker Effect" can also be enabled for any of the fixed colors from this screen. This feature is unique to Hayward's Water Bowl light.



Changing Light Modes (LBCUS11100L & LBCUS11150L)

Follow the procedure below to manually change the light mode:

1. Turn light on and wait 15 seconds for show/color to launch.
2. Turn off light for between 11-15 seconds, then turn on for 2 seconds.
3. Turn off light for between 11-15 seconds, then turn on for 2 seconds.



HAYWARD®

4. Turn off light for between 11-15 seconds, then turn on for 2 seconds.
5. The light should now be blinking white and a color corresponding to the current light mode. To change modes, toggle the light off then back on. The light should now be blinking white and a different color. Refer to the chart below for light mode colors.

Blink Sequence	Light Mode
White / Red	UCL
White / Purple	Omni Direct
White / Orange	Water Fire

6. Once the light is blinking in the sequence corresponding to the desired light mode, turn off light for 1 minute. The light should now be in the desired mode.

Maintenance

Winterization

Follow the steps below for winterizing the Water Bowl. Note that in areas where a deep freeze can occur, the bowl should not be allowed to fill with water, as the ice can damage the bowl when it expands. It is recommended to either cover the bowl or fill it with pool anti-freeze.

1. Completely drain water from the water supply line and the bowl.
2. Unscrew the water spout assembly from the center of the bowl and store it someplace safe.
3. Screw in a 1½" threaded plug to the center of the bowl.
4. Cover the bowl or fill it with pool anti-freeze.

LED Light Replacement

Follow the steps below to replace the LED Light assembly in an existing installation.

1. Remove all power from the LED Light system and disconnect the wires from the LED Light at the junction box/low voltage transformer.
2. Completely drain any water from the bowl.
3. Unscrew the water spout assembly from the center of the bowl, revealing the retaining nut on the bulkhead assembly.
4. Unscrew and remove the retaining nut and gasket from the center of the bowl to release the bowl.
5. With two people, remove the bowl by lifting it straight up and carefully set it aside.
6. Remove the old LED Light assembly from the niche and pull the cord out.
7. Install the new LED Light assembly by following the Electrical Wiring steps starting on page 7.
8. Restore power to the LED Light system and turn the LED Light on to verify operation.
9. Re-install the bowl onto the Niche pipe followed by the gasket, retaining nut, and water spout assembly.



HAYWARD®

Bowl Replacement

Follow the steps below to replace the bowl in an existing installation.

1. Turn off water flow to the Water Bowl system and completely drain any water from the bowl.
2. Unscrew the water spout assembly from the center of the bowl, revealing the retaining nut on the bulkhead assembly.
3. Unscrew and remove the retaining nut and gasket from the center of the bowl to release the bowl.
4. With two people, remove the old bowl by lifting it straight up and set it aside.
5. Install the new bowl with the foam gasket onto the niche pipe.
6. Re-install the gasket, retaining nut, and water spout assembly in the center of the new bowl.

Replacement Parts

Part No.	Description
GLXWBNICHE	Bowl Niche Replacement Kit
GLXWBGSK	Bowl Gasket Replacement Kit
GLXWBBKHD	Bowl Bulkhead and Nut





HAYWARD®

LIMITED WARRANTY (effective 03/01/12) Hayward warrants its OmniLogic, OmniHub, Pro Logic, OnCommand and E-Command pool automation products as well as its Aqua Rite, Aqua Rite Pro, Aqua Plus and SwimPure chlorination products to be free of defects in materials and workmanship, under normal use and service, for a period of three (3) years. Hayward also warrants its Aqua Trol chlorination products to be free of defects in materials and workmanship, under normal use and service for a period of one (1) year. These warranties are applicable from the initial date of purchase on private residential swimming pools in the US and Canada. Installations of product for use on commercial pools in the US and Canada is covered for a period of one (1) year for defects in materials and workmanship. Hayward warrants all accessories and replacement parts for the above-identified pool automation and chlorination products for a period of one (1) year. Accessories also include remotes, actuators, base stations, temperature sensors, flow switches and chemistry probes. Each of these warranties is not transferable and applies only to the original owner.

Hayward shall not be responsible for cartage, removal, repair or installation labor or any other such costs incurred in obtaining warranty replacements or repair.

Proof of purchase is required for warranty service. If written proof of purchase is not provided, the manufacturing date code will be the sole determinant of the date of installation of the product. To obtain warranty service or repair, please contact the place of purchase or the nearest Hayward authorized warranty service center. For more information on authorized service centers please contact the Hayward Technical Service Support Center (61 Whitecap Road, North Kingstown RI, 02852) or visit the Hayward web site at www.hayward.com.

WARRANTY EXCLUSIONS:

1. Material supplied or workmanship performed by others in process of installation.
2. Damage resulting from improper installation including installation on pools larger than the product rating.
3. Problems resulting from failure to install, operate or maintain the product(s) in accordance with the recommendations contained in the owners manual(s).
4. Problems resulting from failure to maintain pool water chemistry in accordance with the recommendations in the owners manual(s).
5. Problems resulting from tampering, accident, abuse, negligence, unauthorized repairs or alternations, fire, flood, lightning, freezing, external water, degradation of natural stone used in or immediately adjacent to a pool or spa, war or acts of God.
6. Use of a non-genuine Hayward replacement salt chlorination cell on any Hayward automation or chlorination product will void the warranty for that product.

The express limited warranty above constitutes the entire warranty of Hayward Pool Products with respect to its products and is in lieu of all other warranties expressed or implied, including warranties of merchantability or fitness for a particular purpose. In no event shall Hayward Pool products be responsible for any consequential, special or incidental damages of any nature. Some states do not allow a limitation on how long an implied warranty lasts, or the exclusion of incidental or consequential damages, so the above limitation may not apply to you. This warranty gives you specific legal rights, and you may also have other rights, which vary from state to state.

For further information or consumer
technical support, visit our website at
www.hayward.com



Hayward is a registered trademark
of Hayward Industries, Inc. © 2023 Hayward Industries, Inc.

All other trademarks not owned by Hayward are the property of their respective owners. Hayward is not in any way affiliated with or endorsed by those third parties. For patent information, refer to www.hayward.com/patents.

USE ONLY HAYWARD GENUINE REPLACEMENT PARTS



Receptáculo de agua

Efecto de agua con iluminación LED

Manual del propietario



Contenido

Introducción	2
Instalación	2
Tuberías.....	5
Cableado eléctrico	6
Instalación del receptáculo...	9
Funcionamiento	10
Mantenimiento	12
Piezas de repuesto	13
Garantía.....	14

WFBRNDBRS
 WFBRNDBRNZ
 WFBRNDCLR
 WFBRNDCLR
 WFBRNDGPR
 WFBRNDGPR
 WFBRNDGPR
 WFBRNDGPR
 WFBRNDGPR
 WFBRNDGPR

WFBSQRBRS
 WFBSQRBRNZ
 WFBSQRCLR
 WFBSQRCLR
 WFBSQRCLR
 WFBSQRCLR
 WFBSQRCLR
 WFBSQRCLR
 WFBSQRCLR
 WFBSQRCLR

LBCUS11100L
 LBCUS11150L
 LBCUS11100LP
 LBCUS11150LP

Hayward Industries
 1415 Vantage Park Dr., Suite 400
 Charlotte, NC 28203
 Teléfono: (908) 355-7995
www.hayward.com



HAYWARD®

INSTRUCCIONES DE SEGURIDAD IMPORTANTES

Al usar este equipo eléctrico, siempre se deben seguir precauciones de seguridad básicas, entre las que se incluyen las siguientes:



LEER Y SEGUIR TODAS LAS INSTRUCCIONES

⚠ ADVERTENCIA: Lea y siga todas las instrucciones que se brindan en el manual del propietario y el equipo. No seguir las instrucciones puede ocasionar lesiones graves o la muerte.



⚠ ADVERTENCIA: PELIGRO DE DESCARGA ELÉCTRICA. MONTAR UNA LUMINARIA QUE REQUIERE CONEXIÓN A TIERRA O EQUIPOTENCIAL EN ESTE NICHU PUEDE CAUSAR LESIONES GRAVES O LA MUERTE. NO MONTE LUCES NO HOMOLOGADAS POR UL, NI NINGUNA LUMINARIA QUE REQUIERA CONEXIÓN A TIERRA O EQUIPOTENCIAL EN ESTE NICHU.



⚠ ADVERTENCIA: Riesgo de descarga eléctrica. Un voltaje peligroso puede provocar descargas, quemaduras, la muerte y graves daños a la propiedad. Todos los cables eléctricos DEBEN cumplir con los códigos locales aplicables, los reglamentos y el Código Eléctrico Nacional (NEC). Para reducir el riesgo de descarga eléctrica, NO use un cable de extensión para conectar la unidad a una fuente de alimentación. Proporcione un receptáculo eléctrico bien ubicado. Antes de trabajar en cualquier equipo eléctrico, desconecte la fuente de alimentación del equipo.



⚠ ADVERTENCIA: Riesgo de descarga eléctrica. Abrir la luz puede causar descargas, quemaduras y lesiones graves. Dentro de la luz no hay piezas que el usuario pueda reparar. No abra la luz.

⚠ AVISO: Este producto de piscina está homologado por UL solo para piscinas o spas instalados de forma permanente. No está homologado para piscinas ni spas almacenables. Las piscinas y los spas instalados de forma permanente son aquellos construidos total o parcialmente en el suelo, y todos los que sean capaces de contener agua a una profundidad mayor que 42 in (1.07 m). Las piscinas y los spas almacenables son aquellos construidos en el suelo o sobre este, y son capaces de contener agua hasta un máximo de 42 in (1.07 m).



⚠ ADVERTENCIA: Peligro de descarga eléctrica. Dañar el cableado puede ocasionar lesiones graves o la muerte. Para reducir el riesgo de descarga eléctrica, reemplace el cable dañado inmediatamente. Localice el conducto para evitar daños por el uso de cortadoras de césped, recortadoras de setos y otros equipos.

Excepto cuando la luminaria se instale en un área de la piscina que no se use para nadar y la lente esté adecuadamente protegida para evitar que cualquier persona entre en contacto con ella, la luminaria se instalará en o sobre una pared de la piscina, con la parte superior de la abertura de la lente no menos de 457 mm (18 pulgadas) por debajo del nivel normal del agua de la piscina.

GUARDE ESTAS INSTRUCCIONES



HAYWARD®

Introducción

El receptáculo de agua Hayward es un efecto de agua en forma de receptáculo que contiene una luz LED que, en conjunto, crea un impresionante efecto de fuego intermitente diseñado para mejorar su experiencia en la piscina o el spa. El receptáculo de agua debe instalarse según las especificaciones de estas instrucciones. Siga TODAS las instrucciones que vienen con esta unidad. Se recomienda mantener la unidad en su empaque original hasta que el sitio esté preparado para la instalación.

Qué incluye

N.º de artículo	Descripción de la pieza	Cantidad
1	Montaje del receptáculo (redondo o cuadrado)	1
2	Montaje del chorro de agua	1

Se vende por separado.

Número de pieza	Descripción de la pieza	Cantidad
LBCUS11100L	Luz LED y montaje en nicho 100 ft	1
LBCUS11150L	Luz LED y montaje en nicho 150 ft	1
LBCUS11100LP	Luz LED P y montaje en nicho 100 ft	1
LBCUS11150LP	Luz LED P y montaje en nicho 150 ft	1

Instalación

Preparación

Determine la ubicación de instalación del receptáculo de agua. Asegúrese de respetar todos los códigos NEC y códigos locales durante la instalación. Para un rendimiento óptimo, el borde del receptáculo debe colgar ligeramente sobre el límite de la piscina o el spa. La caja de empalme eléctrica y el transformador de piscina de bajo voltaje deben estar ubicados al menos a 48 pulgadas del límite de la piscina o el spa y al menos cuatro pulgadas por encima del suelo y ocho pulgadas por encima del nivel de agua del receptáculo.

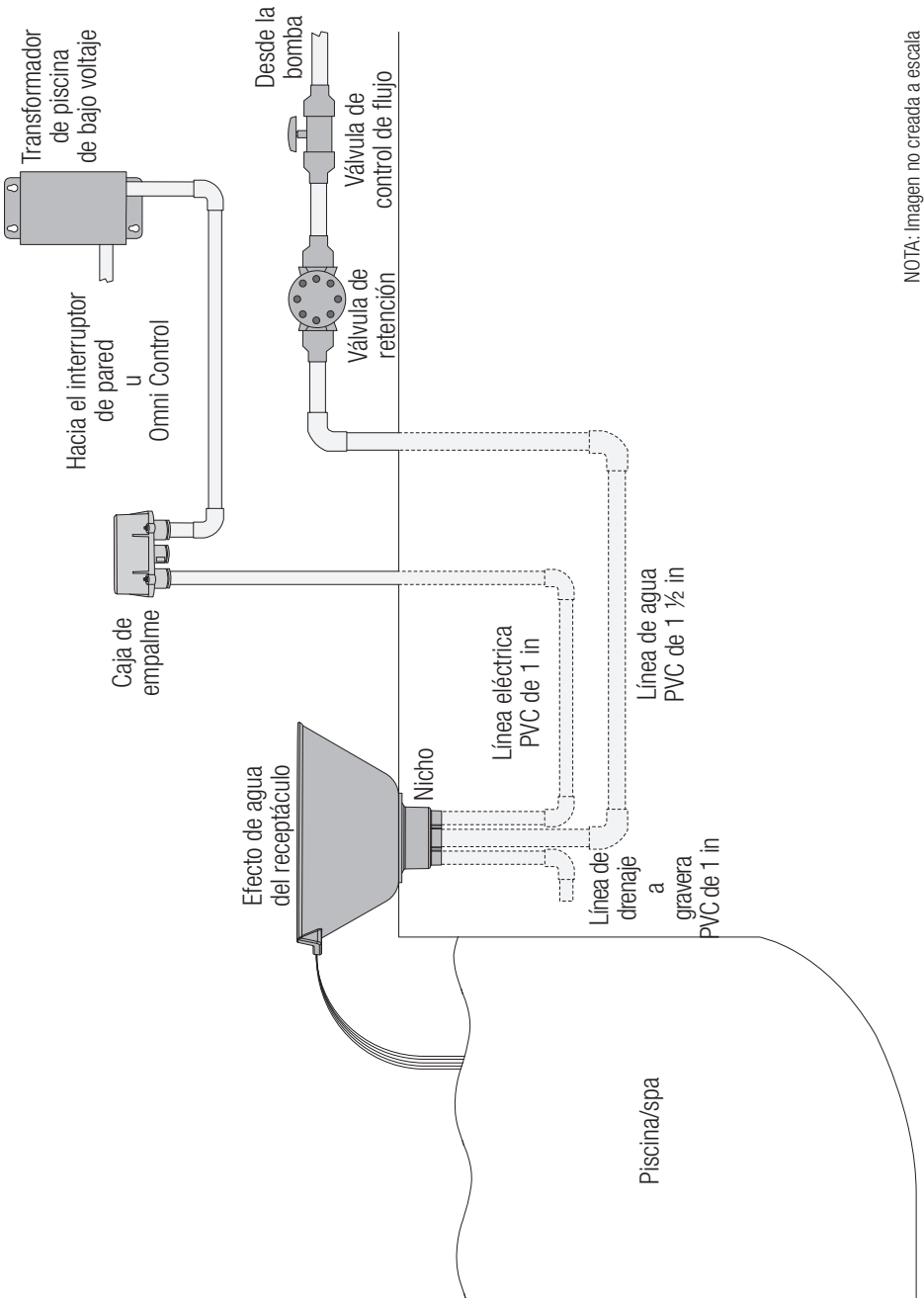
Una vez determinada la ubicación de instalación, reúna todas las herramientas necesarias y consulte las siguientes secciones para instalar las tuberías y las líneas eléctricas.

Resumen

Consulte el diagrama de la siguiente página para obtener una vista general de la instalación básica. Tenga en cuenta que la instalación de tuberías para el receptáculo de agua requiere una válvula de retención para evitar el drenaje cuando no se usa el sistema. Además, debe usarse una válvula de control de flujo para obtener el efecto de agua óptimo en el receptáculo.



HAYWARD®

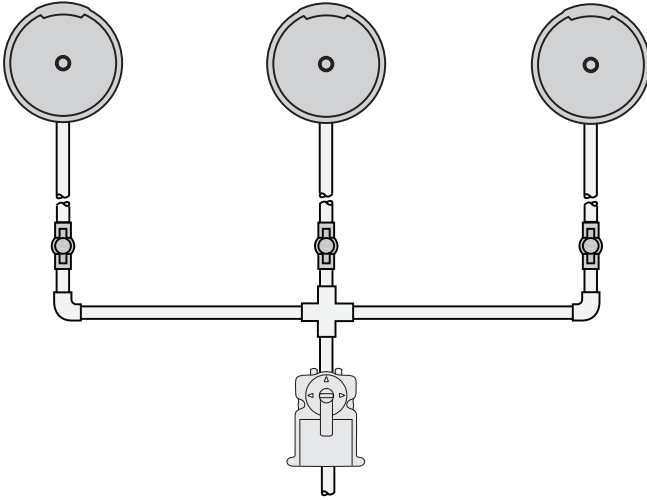


NOTA: Imagen no creada a escala

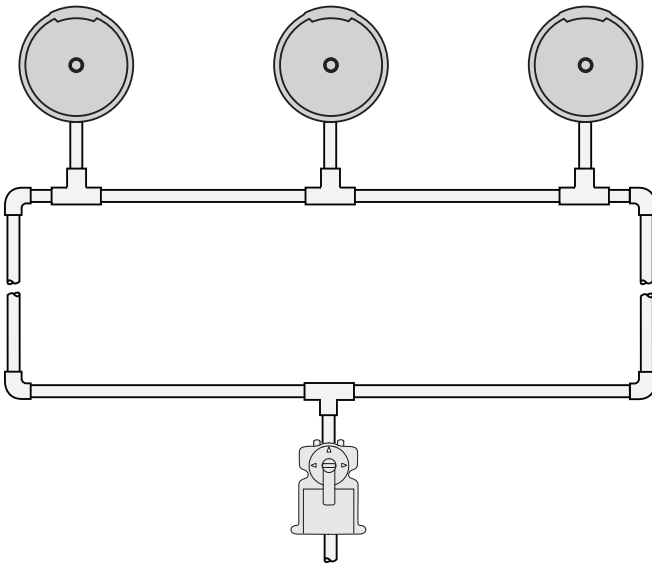


HAYWARD®

Use válvulas de control de flujo individuales para los receptáculos instalados a diferentes distancias.



Use tuberías en circuito para receptáculos instalados a la misma distancia.

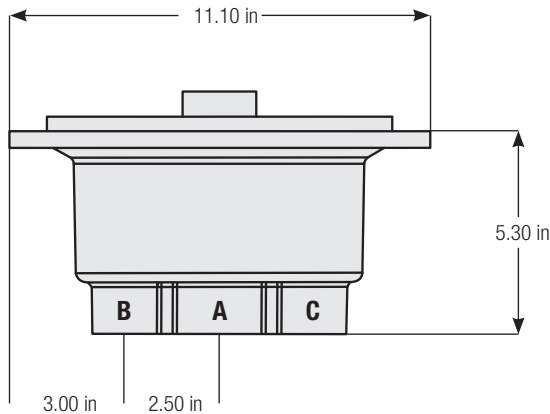




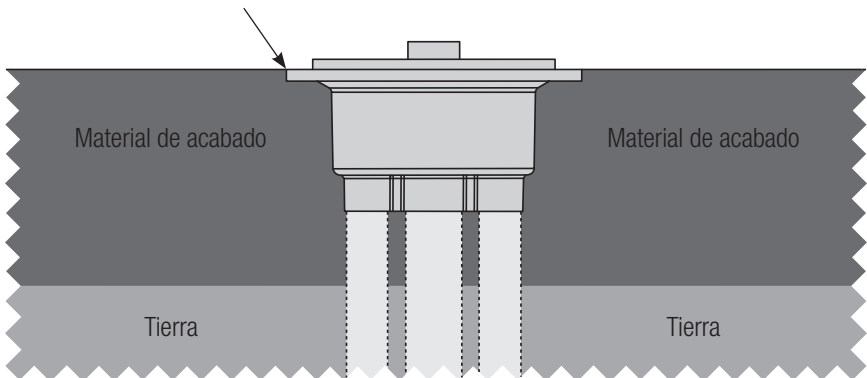
HAYWARD®

Tuberías

Antes de instalar el receptáculo de agua, instale la tubería y el conducto eléctrico. Consulte el siguiente diagrama para ver las dimensiones del nicho.



- Paso 1:** Instale la tubería de la línea de suministro de agua (A) usando tubería de PVC de 1½ in Schedule 40.
- Paso 2:** Instale la tubería de la línea de drenaje (B) usando tubería de PVC de 1 in Schedule 40.
- Paso 3:** Instale la tubería de la línea eléctrica (C) usando tubería de PVC de 1 in Schedule 40.
- Paso 4:** Pegue el nicho con disolvente a la línea de agua, la línea de drenaje y las tuberías de la línea eléctrica con pegamento de PVC.
- Paso 5:** Rellene la cavidad alrededor del nicho hasta la brida como se muestra en el siguiente diagrama. El material de acabado debe estar al ras de la parte superior de la brida del nicho.



- Paso 6:** Termine de instalar la línea de agua, la línea eléctrica y la línea de drenaje como se muestra en el diagrama general de la página 3.



Cableado eléctrico

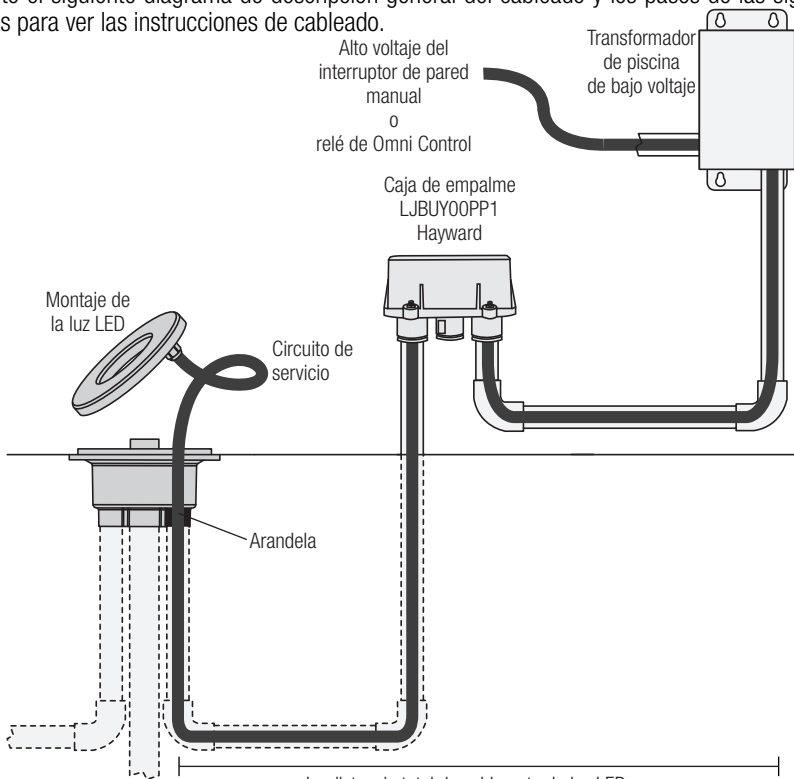
La luz LED del receptáculo de agua (que se vende por separado) requiere un transformador de piscina de bajo voltaje (no incluido). Consulte el siguiente diagrama para determinar el tipo de transformador que necesitará en función de la cantidad de luces LED usadas. Al considerar la cantidad de transformadores requeridos, tenga en cuenta que una luz consume 25 W y la carga de un transformador no debe superar el 80 % del vataje máximo.

Cantidad de luces	Tipo de transformador
1-2	70 W
3-9	300 W
Más de 10	Varios transformadores

NOTA: Las luces conectadas al mismo transformador funcionarán juntas. Si desea que funcionen por separado, cada luz o grupo de luces necesitará su propio transformador y relé.

Descripción general del cableado

Consulte el siguiente diagrama de descripción general del cableado y los pasos de las siguientes páginas para ver las instrucciones de cableado.





HAYWARD®

Paso 1: Colocación del cable

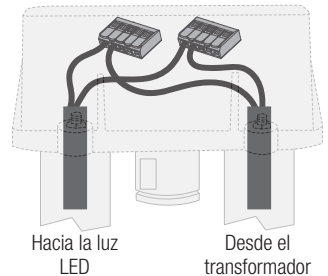
Una vez que el nicho está instalado, es hora de pasar el cable desde la luz LED hasta la caja de empalme o el transformador de bajo voltaje. Tenga en cuenta que la longitud del cable entre el nicho del receptáculo de agua y el transformador de bajo voltaje no debe superar los 150 ft. Pase el cable a través de la línea eléctrica hasta tener un circuito de servicio de aproximadamente 12 a 24 pulgadas en el nicho. En la caja de empalme o el transformador, corte el cable sobrante dejando suficiente cable para el cableado.

Si usa una caja de empalme opcional, pase el cable desde la caja de empalme hasta el transformador de bajo voltaje. Corte el cable sobrante en la caja de empalme y el transformador dejando suficiente cable para el cableado.

Pase el cable desde la fuente de alimentación —ya sea un interruptor de pared manual o un relé Omni Control— hasta el transformador de bajo voltaje. Corte el cable sobrante en ambos extremos, dejando suficiente cable para el cableado.

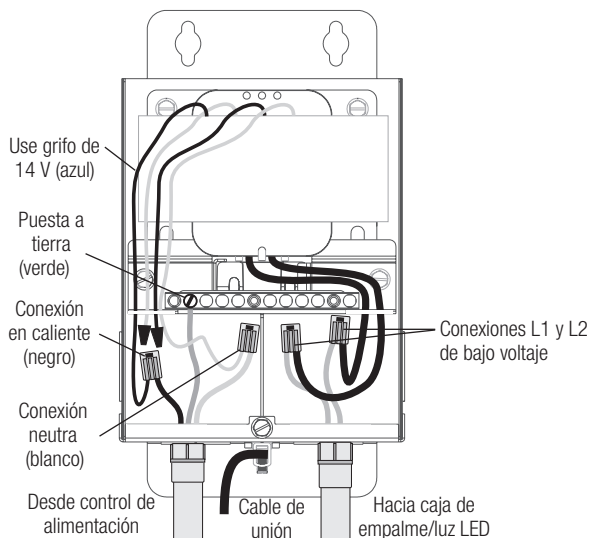
Paso 2: Cableado de la caja de empalme (opcional)

Si se van a conectar varias luces LED de receptáculo de agua juntas, puede resultar útil usar una caja de empalme. Para facilitar las conexiones, se recomienda usar empalmes plásticos serie Wago 221 (ver en el gráfico a la derecha), pero también pueden usarse los empalmes plásticos estándar.



Paso 3: Cableado del transformador de bajo voltaje

Consulte el siguiente gráfico cuando use un transformador Hayward de 300 W. Para ver otros transformadores de piscina homologados, consulte las instrucciones adjuntas. Asegúrese de respetar todos los códigos NEC y códigos locales durante el cableado.

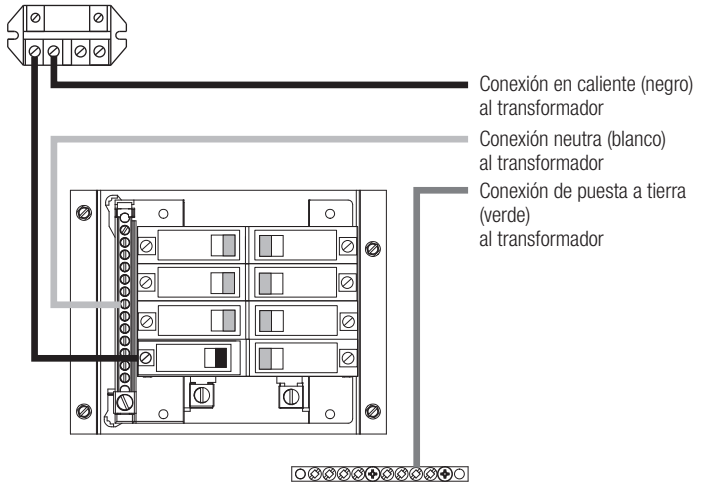




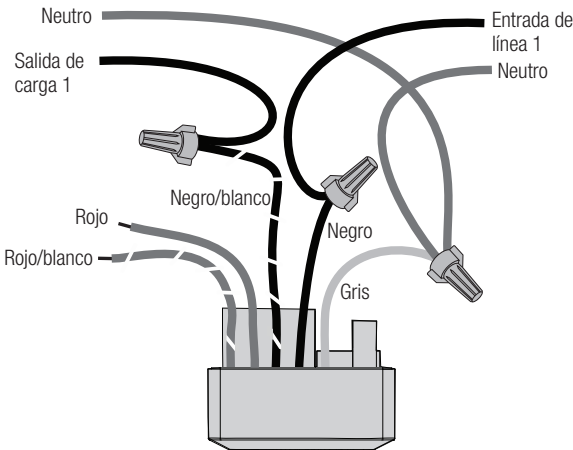
Paso 4: Cableado del control de alimentación

Cuando realice el cableado en un interruptor de pared, siga las instrucciones del manual provisto con ese producto. Cuando realice el cableado a un relé Omni Smart u Omni Control, consulte los siguientes gráficos. Asegúrese de respetar todos los códigos NEC y códigos locales durante el cableado.

Cableado de relé Omni Standard



Cableado de relé Omni Smart





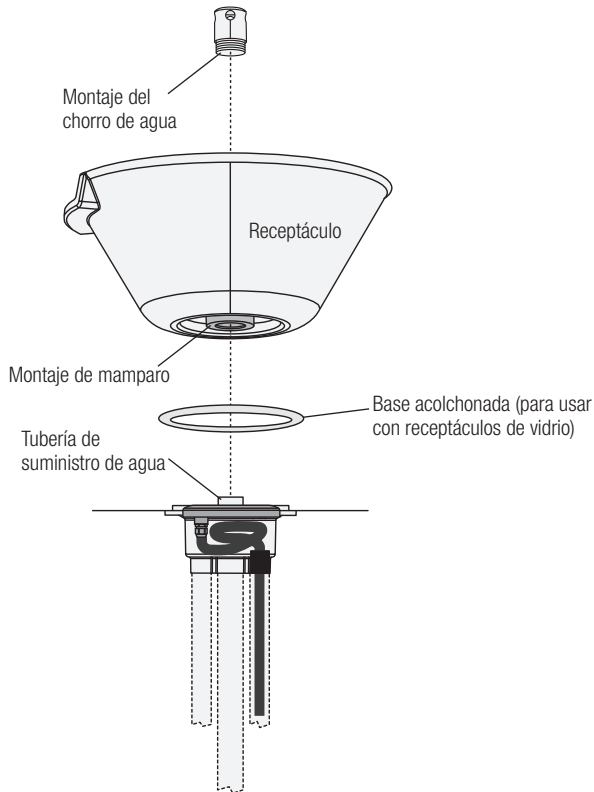
HAYWARD®

Paso 5: Configuración de luz LED en el nicho

Con el cableado completo, la luz LED está lista para ser fijada en el nicho. Selle la brecha alrededor del cable de alimentación en la línea eléctrica del nicho usando la arandela de goma que viene colocada en el cable de alimentación. Una vez sellada, fije suavemente el montaje de la luz LED sobre los extremos en el nicho, de modo que quede correctamente asentado. **IMPORTANTE:** Ya que el receptáculo se apoyará sobre esta superficie, asegúrese de que el montaje de la luz LED esté correctamente fijado para que no se dañe.

Instalación del receptáculo

Consulte el gráfico a continuación y los siguientes pasos para instalar el receptáculo.

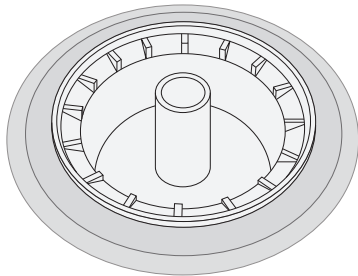


Paso 1: Para instalaciones de receptáculos de vidrio. Cuando instala un receptáculo de vidrio, se recomienda usar una base acolchonada para evitar daños en el receptáculo. Coloque la base acolchonada sobre el collar del nicho como se muestra en la siguiente página. Para instalar receptáculos cuadrados, asegúrese de que el límite de la base acolchonada esté alineado con el límite de la piscina.

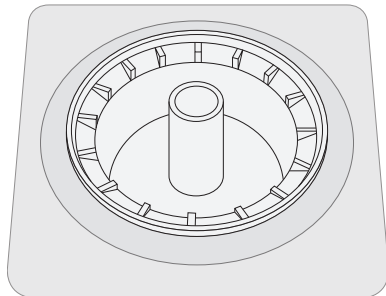


HAYWARD®

Instalación de base acolchonada redonda



Instalación de base acolchonada cuadrada



Paso 2: Use pegamento de PVC en la parte interior del montaje de mamparo y alrededor del centro de la tubería de suministro de agua. Tenga cuidado de no aplicar pegamento a la luz LED. Con la ayuda de otra persona, baje cuidadosamente el receptáculo y el montaje de mamparo sobre la tubería del nicho, de modo que se asiente con firmeza sobre la brida del nicho.

Paso 3: Atornille el montaje del chorro de agua al montaje de mamparo en el centro del receptáculo como se mostró anteriormente.

Funcionamiento

Cuando ponga en funcionamiento el receptáculo de agua, se recomienda mantener el flujo de agua entre 15 y 20 gpm, pero el gpm puede variar ya que el efecto de agua ideal depende de la preferencia personal del usuario. Consulte el siguiente diagrama para ver el rango de gpm.

Rango de gpm	Resultado
< 10 gpm	Flujo de agua insuficiente
10 a 24 gpm	Rango aceptable
15 a 20 gpm	Rango "ideal"
≥ 25 gpm	Receptáculo rebalsado

Control manual (LBCUS11100LP y LBCUS11150LP)

Encienda la bomba que controla el sistema Water Bowl, así como el interruptor de las luces LED. Ajuste la(s) válvula(s) de control de flujo hasta lograr el efecto de agua ideal en la taza.

Las luces LBCUS11100LP y LBCUS11150LP se pueden controlar en 2 modos: modo P y modo Water Fire. En el modo P, cambiar manualmente la alimentación de las luces (apagar y volver a encender rápidamente la luz) cambiará el color de la luz. En el modo Water Fire, la luz parpadeará en un color rojo anaranjado para simular un efecto de fuego en la función Water Bowl. El modo predeterminado de fábrica es el modo P.



HAYWARD®

Para cambiar el modo de luz, siga el procedimiento a continuación.

1. Encienda la(s) luz(es)

2a. Apague y encienda rápidamente la luz, 17 veces. Esto pondrá la luz en modo P.

2b. Apague y encienda rápidamente la luz, 15 veces. Esto pondrá la luz en modo Water Fire.

Control manual (LBCUS11100L y LBCUS11150L)

Active la alimentación que va a la bomba que controla el sistema del receptáculo de agua, así como el interruptor de las luces LED. Ajuste la válvula de control de flujo hasta lograr el efecto de agua ideal en el receptáculo.

Cuando use un interruptor de pared para controlar la luz, esta debe configurarse en modo UCL (Universal ColorLogic). Esto permitirá controlar la luz mediante reinicio. La luz ya debería estar configurada en el modo UCL desde fábrica, pero si es necesario configurar el modo de luz, consulte el procedimiento en la página 12. Para activar la luz, simplemente encienda el interruptor que alimenta el transformador. Para desactivar la luz, apague el interruptor. Para avanzar al siguiente programa de luz (color fijo o exhibición de colores), apague el interruptor y vuelva a encenderlo dentro de los 10 segundos.

Cuando la luz ha estado apagada por más de 60 segundos o se enciende por primera vez, la luz se verá blanca durante 15 segundos para mostrar una vista clara y rápida de su piscina, y luego adoptará el color fijo o la exhibición de colores que estaba funcionando anteriormente. Nota: No reinicie la luz durante los primeros 15 segundos de luz blanca para evitar el riesgo de pérdida de sincronización con otras luces conectadas.

Cuando se encuentra en modo UCL, la luz tiene la capacidad de mostrar 17 programas diferentes: 10 colores fijos y siete demostraciones que cambian de color. Se avanza por estos programas utilizando el reinicio –alternando rápidamente la alimentación que va a la luz. Los programas se enumeran a continuación:

- | | | |
|------------------------------|----------------------------|----------------------------------|
| 1. Exhibición: Voodoo Lounge | 7. Fijo: Nube blanca | 13. Exhibición: Calma |
| 2. Fijo: Mar azul profundo | 8. Fijo: Rojo cálido | 14. Exhibición: Gema |
| 3. Fijo: Azul real | 9. Fijo: Flamenco | 15. Exhibición: EE. UU. |
| 4. Fijo: Cielo al atardecer | 10. Fijo: Violeta intenso | 16. Exhibición: Mardi Gras |
| 5. Fijo: Verde agua | 11. Fijo: Sangría | 17. Exhibición: Cabaret fabuloso |
| 6. Fijo: Esmeralda | 12. Exhibición: Crepúsculo | |

Si tiene varias luces que funcionan al mismo tiempo y pierden la sincronización, puede volver a sincronizarlas siguiendo estos pasos:

1. Encienda las luces.
2. Apáguelas por 11 a 15 segundos.
3. Encienda las luces.

Control de automatización Omni (LBCUS11100L y LBCUS11150L)

Cuando use un controlador Omni, la luz puede configurarse en modo Omni Direct, que permite alternar directamente la exhibición/el color seleccionado, así como 10 opciones de color fijo adicionales,

control de brillo y control de velocidad. Consulte la sección Configuración del manual de su controlador Omni para obtener instrucciones sobre cómo configurar una luz y un efecto de agua. Tenga en cuenta que el modo de luz puede cambiarse en el menú de configuración del control Omni, pero si el modo debe cambiarse manualmente, siga el procedimiento indicado en la siguiente página.

Cuando la configuración esté completa, active el efecto de agua desde el controlador Omni. Ajuste la válvula de control de flujo hasta lograr el efecto de agua ideal en el receptáculo.

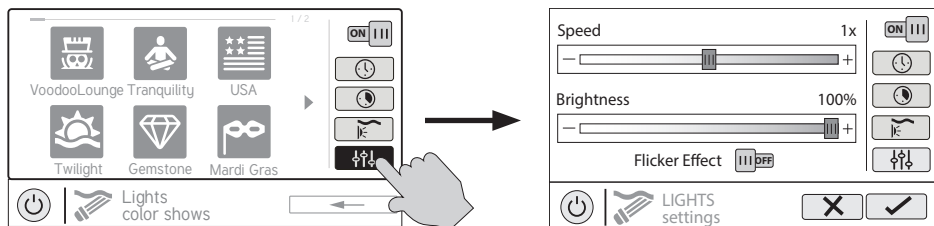
Para activar la luz desde el control Omni, simplemente navegue hasta el menú de luz y presione encendido/apagado (on/off). En este menú, también se puede cambiar la exhibición de luz, se pueden configurar los horarios y se puede ajustar el brillo y la velocidad de la luz.

Cuando se encuentra en modo Omni Direct, la luz tiene la capacidad de mostrar 17 programas diferentes: 20 colores fijos y siete demostraciones que cambian de color. A continuación, se indican estos programas de luces:

- | | | |
|------------------------------|----------------------------------|------------------------------|
| 1. Exhibición: Voodoo Lounge | 10. Fijo: Sangría | 19. Fijo: Naranja |
| 2. Fijo: Mar azul profundo | 11. Fijo: Crepúsculo | 20. Fijo: Oro |
| 3. Fijo: Azul real | 12. Exhibición: Calma | 21. Fijo: Menta |
| 4. Fijo: Cielo al atardecer | 13. Exhibición: Gema | 22. Fijo: Cerceta |
| 5. Fijo: Verde agua | 14. Exhibición: EE. UU. | 23. Fijo: Naranja oscuro |
| 6. Fijo: Esmeralda | 15. Exhibición: Mardi Gras | 24. Fijo: Blanco puro |
| 7. Fijo: Nube blanca | 16. Exhibición: Cabaret fabuloso | 25. Fijo: Blanco brillante |
| 8. Fijo: Rojo cálido | 17. Exhibición: Water Fire | 26. Fijo: Blanco cálido |
| 9. Fijo: Flamenco | 18. Fijo: Amarillo | 27. Fijo: Amarillo brillante |
| 10. Fijo: Violeta intenso | | |

Cuando la luz ha estado apagada por más de 60 segundos o se enciende por primera vez, la luz se verá blanca durante 15 segundos para mostrar una vista clara y rápida de su piscina, y luego adoptará el color fijo o la exhibición de colores que estaba funcionando anteriormente. Nota: No reinicie la luz durante los primeros 15 segundos de luz blanca para evitar el riesgo de pérdida de sincronización con otras luces conectadas.

En el modo Omni Direct, la velocidad y el brillo de los espectáculos de luces se pueden cambiar en la pantalla que se muestra a continuación. El "Efecto de parpadeo" también se puede habilitar para cualquiera de los colores fijos de esta pantalla. Esta función es exclusiva de la lámpara Water Bowl de Hayward.



Cambio de modo de luz (LBCUS11100L y LBCUS11150L)

Realice el siguiente procedimiento para cambiar manualmente el modo de luz:

1. Encienda la luz y espere 15 segundos para que empiece la exhibición o el color aparezca.
2. Apague la luz por 11 a 15 segundos y luego enciéndala durante dos segundos.
3. Apague la luz por 11 a 15 segundos y luego enciéndala durante dos segundos.
4. Apague la luz por 11 a 15 segundos y luego enciéndala durante dos segundos.
5. La luz debería parpadear alternando entre blanco y un color que corresponda al modo de luz activado. Para cambiar los modos, apague la luz y enciéndala nuevamente. La luz debería parpadear alternando entre blanco y un color diferente. Consulte el siguiente diagrama para ver los colores de los modos de luz.

Secuencia de parpadeo	Modo de luz
Blanco/rojo	UCL
Blanco/morado	Omni Direct
Blanco/naranja	Water Fire

6. Una vez que la luz parpadee en la secuencia que corresponde al modo de luz deseado, apáguela por un minuto. La luz debería estar en el modo deseado.

Mantenimiento

Preparación para el invierno

Siga estos pasos para preparar el receptáculo de agua para el invierno. Tenga en cuenta que, en áreas donde pueda ocurrir un congelamiento profundo, el receptáculo no debe llenarse de agua ya que el hielo puede dañarlo al expandirse. Se recomienda cubrir el receptáculo o llenarlo con anticongelante para piscina.

1. Drene completamente el agua de la línea de suministro de agua y del receptáculo.
2. Desatornille el montaje del chorro de agua del centro del receptáculo y guárdelo en algún lugar seguro.
3. Atornille un tapón roscado de 1½ in al centro del receptáculo.
4. Cubra el receptáculo o llénelo con anticongelante para piscina.

Reemplazar la luz LED

Siga estos pasos para reemplazar el montaje de la luz LED en una instalación existente.

1. Desactive toda la alimentación del sistema de luz LED y desconecte los cables de la luz LED en la caja de empalme o el transformador de bajo voltaje.
2. Drene completamente el agua del receptáculo.
3. Desatornille el montaje del chorro de agua del centro del receptáculo, revelando la tuerca de retención en el montaje de mamparo.

4. Desatornille y retire la tuerca de retención y la junta del centro del receptáculo para liberarlo.
5. Con la ayuda de otra persona, retire el receptáculo levantándolo directamente hacia arriba y apártelo cuidadosamente.
6. Retire el montaje de luz LED antiguo del nicho y jale el cable.
7. Instale el nuevo montaje de luz LED según los pasos de la sección Cableado eléctrico desde la página 7.
8. Restaure la alimentación del sistema de luz LED y active la luz LED para verificar el funcionamiento.
9. Vuelva a instalar el receptáculo en la tubería del nicho y, posteriormente, instale la junta, la tuerca de retención y el montaje del chorro de agua.

Reemplazo del receptáculo

Siga estos pasos para reemplazar el receptáculo en una instalación existente.

1. Desactive el flujo de agua que va al sistema del receptáculo de agua y drene completamente el agua del receptáculo.
2. Desatornille el montaje del chorro de agua del centro del receptáculo, revelando la tuerca de retención en el montaje de mamparo.
3. Desatornille y retire la tuerca de retención y la junta del centro del receptáculo para liberarlo.
4. Con la ayuda de otra persona, retire el receptáculo antiguo levantándolo directamente hacia arriba y apártelo.
5. Instale el nuevo receptáculo con la junta de espuma en la tubería del nicho.
6. Vuelva a instalar la junta, la tuerca de retención y el montaje del chorro de agua en el centro del nuevo receptáculo.

Piezas de repuesto

N.º de pieza	Descripción
GLXWBNICHE	Kit de repuesto del nicho del receptáculo
GLXWBGSK	Kit de repuesto de la junta del receptáculo
GLXWBBKHD	Mamparo y tuerca del receptáculo





HAYWARD®

GARANTÍA LIMITADA (en vigencia desde el 01/03/12) Hayward garantiza que sus productos de automatización de piscinas OmniLogic, OmniHub, Pro Logic, OnCommand y E-Command, así como sus productos de cloración Aqua Rite, Aqua Rite Pro, Aqua Plus y SwimPure estarán libres de defectos de materiales y mano de obra, bajo uso y servicio normales, por un período de tres (3) años. Hayward también garantiza que sus productos de cloración Aqua Trol estarán libres de defectos de materiales y mano de obra, bajo uso y servicio normales, por un período de un (1) año. Estas garantías son aplicables desde la fecha inicial de compra para piscinas residenciales privadas de EE. UU. y Canadá. Las instalaciones de productos para el uso en piscinas comerciales de EE. UU. y Canadá están cubiertas por un período de un (1) año, por defectos en materiales y mano de obra. Hayward brinda garantías para todos los accesorios y las piezas de repuesto de los productos de cloración y automatización de piscinas identificados anteriormente por un período de un (1) año. Los accesorios también incluyen controles remotos, actuadores, estaciones base, sensores de temperatura, interruptores de flujo y sondas de química. Cada una de estas garantías no es transferible y se aplica solo al propietario original.

Hayward no será responsable por el transporte, la extracción, la reparación, los trabajos de instalación o cualquier otro tipo de costos en los que se incurra para obtener repuestos o reparaciones en garantía.

Se requiere una evidencia de compra para proporcionar el servicio de la garantía. Si no se proporciona un comprobante de compra por escrito, el código de fecha de fabricación será el único factor determinante de la fecha de instalación del producto. Para obtener el servicio o la reparación de la garantía, comuníquese con el lugar de adquisición o el centro de servicio de la garantía de Hayward autorizado más cercano. Para obtener más información sobre los centros de servicio autorizados, comuníquese con el Centro de soporte de servicio técnico de Hayward (61 Whitecap Road, North Kingstown RI, 02852) o visite el sitio web de Hayward en www.hayward.com.

EXCLUSIONES DE GARANTÍA:

1. Material suministrado o mano de obra realizada por otros en el proceso de instalación.
2. Daños producidos por una instalación incorrecta, incluida la instalación en piscinas más grandes que las indicadas para el producto.
3. Problemas producidos por una mala instalación, operación o mantenimiento de los productos, de acuerdo con las recomendaciones contenidas en los manuales del propietario.
4. Problemas producidos por no haber mantenido la composición química del agua de la piscina de acuerdo con las recomendaciones de los manuales del propietario.
5. Problemas causados por alteración, accidente, abuso, negligencia, reparaciones o alternancias no autorizadas, incendio, inundación, rayos, congelación, agua externa, degradación de piedras naturales utilizadas en la piscina o el spa (o inmediatamente adyacentes a estos), guerra o actos de fuerza mayor.
6. El uso de una célula de cloración de sal de repuesto que no sea original de Hayward en cualquier producto de automatización o cloración de Hayward anulará la garantía de ese producto.

La garantía limitada expresa mencionada anteriormente constituye la garantía total de Hayward Pool Products relativa a sus productos y sustituye a cualquier otra garantía expresa o implícita, incluidas las garantías de comerciabilidad o idoneidad para un fin particular. En ningún caso Hayward Pool Products será responsable de daños consecuentes, especiales o incidentales de ninguna naturaleza. Algunos estados no permiten que se establezca un límite en la duración de una garantía, o la exclusión de daños incidentales o consecuentes, en cuyo caso no se aplica la limitación anterior. Esta garantía le proporciona derechos legales especiales y también puede tener otros derechos que varían según el estado.

Para obtener más información o
servicio técnico para el cliente, visite nuestro sitio web:
www.hayward.com



Hayward es una marca registrada
de Hayward Industries, Inc. © 2023 Hayward Industries, Inc.

Todas las demás marcas que no son propiedad de Hayward son propiedad de sus respectivos dueños. Hayward no está de ninguna
manera afiliada con dichos terceros ni avalada por ellos. Para obtener información sobre patentes, consulte www.hayward.com/patents.

UTILIZAR SOLAMENTE PIEZAS DE REPUESTO ORIGINALES DE HAYWARD