

Installing the ColorLogic™ 80/40 Light and Driver

STEP 1: Cord Length and Minimum Required Voltage

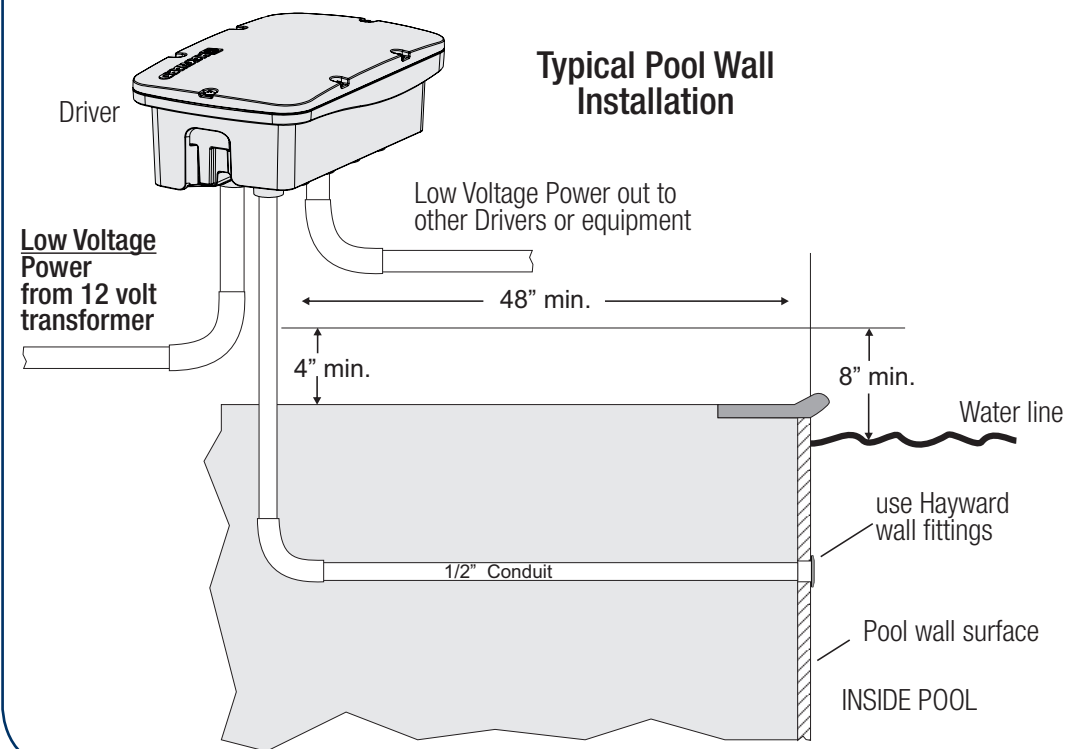
When installing the ColorLogic 80/40 Low Voltage Junction Box Driver, the length of the cord has an effect on performance. To prevent performance problems, verify the transformer is providing the minimum required voltage according to the table below.

When using Hayward or other transformers that offer a 14v option, we suggest that you always use the 14 volt tap.

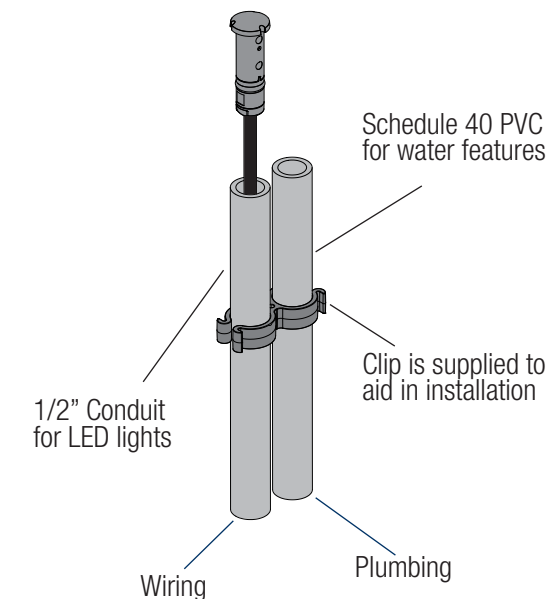
Note that 80/40 lights can ONLY be powered by Hayward Driver LMCUSPS005.

Product	Total Cord Length from Transformer to Junction Box Driver	Minimum Required Voltage at Transformer
12v ColorLogic 80/40	30 ft	12 - 14 volts
	50 ft	13 - 14 volts
	100 ft	14 volts

STEP 2a: Body of Water Installation Information

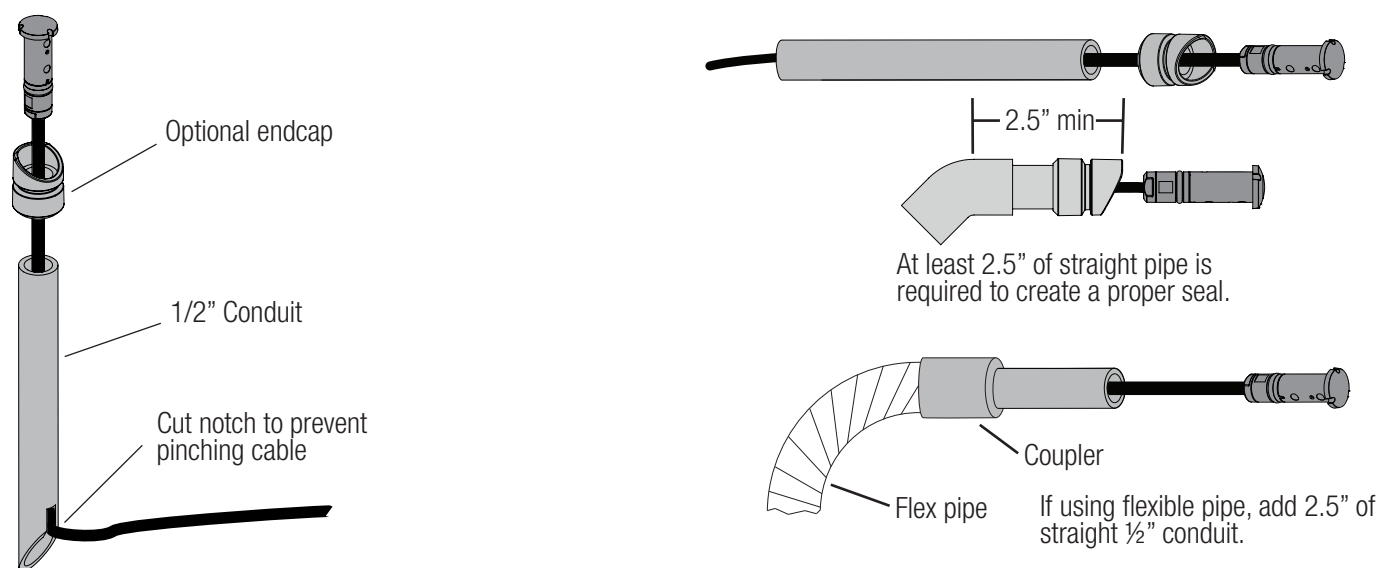


Typical Water Feature Installation



STEP 2b: Landscape Installation Information

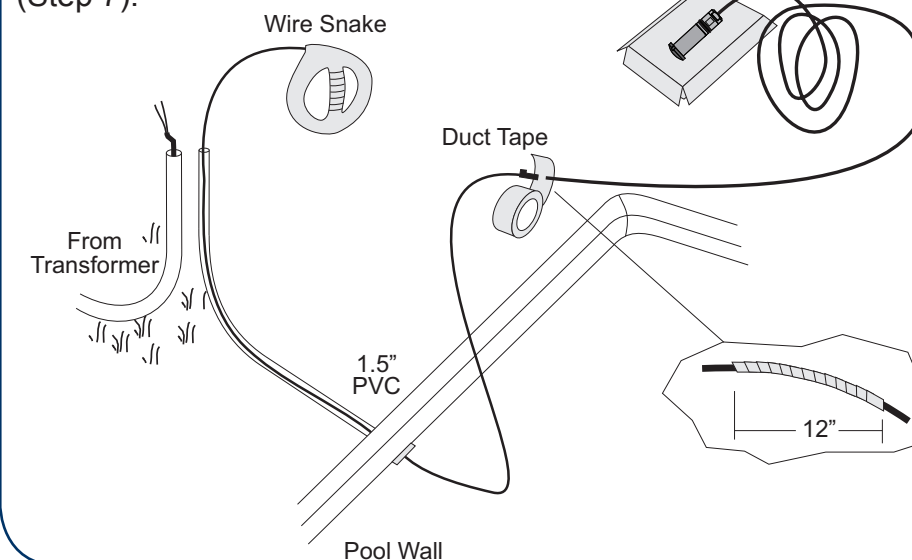
When running conduit for landscape applications, use fittings, elbows, etc. to position the light in the desired location. Snake the light cord through the optional supplied endcap and conduit. The conduit can be angle cut and notched as shown below to help prevent pinching the exiting cord. For vertical installations, drive a portion of rebar or equivalent into the ground to create the hole for the conduit.



STEP 3: Route Light Cord

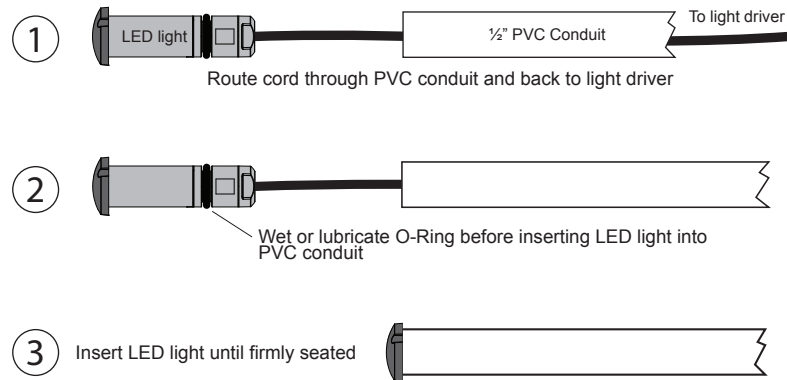
The ColorLogic light cord is direct burial rated. For water installations, it must be run through conduit all the way to the Junction Box Driver (shown below). For landscape installations, run cord underground and then fastened to the Driver using the provided strain relief. Connection from the light must always be made in the Junction Box Driver (Step 7).

Keep the light on the pool deck and in its box for protection



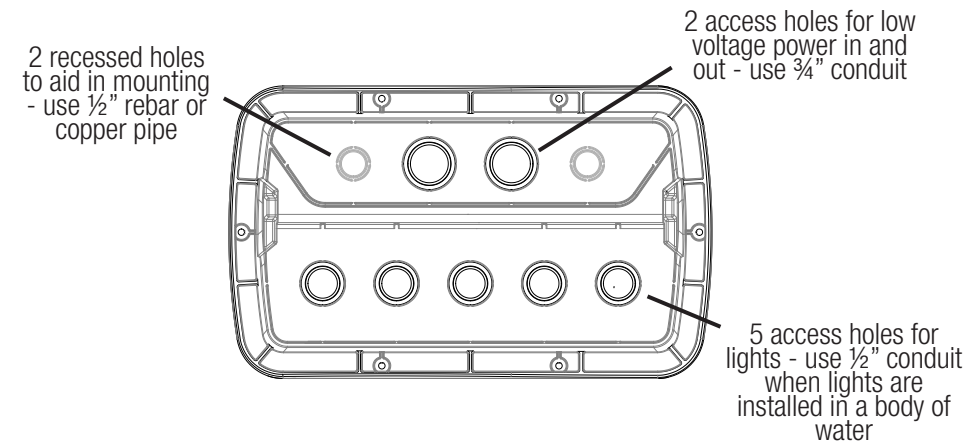
STEP 4: Securing Light

With the ½" PVC conduit secure in the pool or landscape wall, wet or lubricate the LED light's O-ring and insert the light fully into the conduit. Press firmly until the light sits flush with the pool or landscape wall.



STEP 5: Driver Enclosure

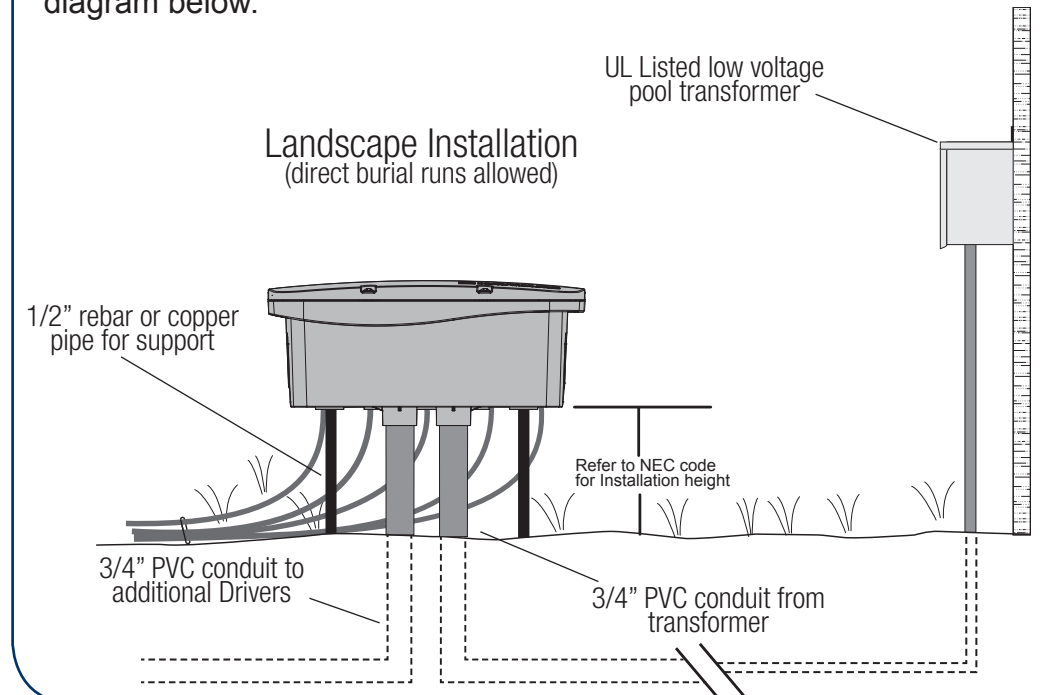
Remove the cover of the Driver. Be careful not to damage the cover gasket. The diagram below shows the various access holes and mounting support locations. Refer to this information when considering the Driver mounting location. Secure the cover after wiring using the supplied cover screws (Step 7).



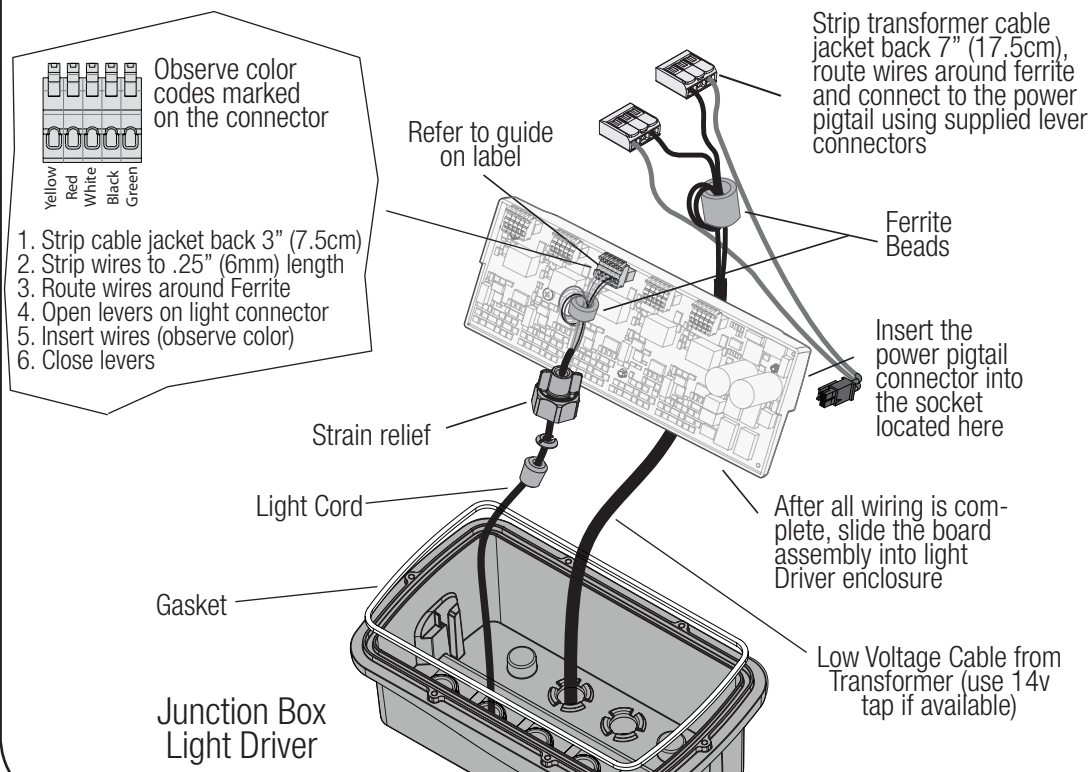
The LMCUSPS005 comes with one ¾" cap, two ½" permanent caps and two ½" removable caps which can be used to plug unused access holes. Use removable caps if you intend to add more lights to the Driver. Secure removable caps with the provided strain reliefs.

STEP 6: Driver Mounting Location

For Driver mounting information when installing lights in a body of water, refer to the diagram in Step 2a. For landscape installations, refer to the diagram below.

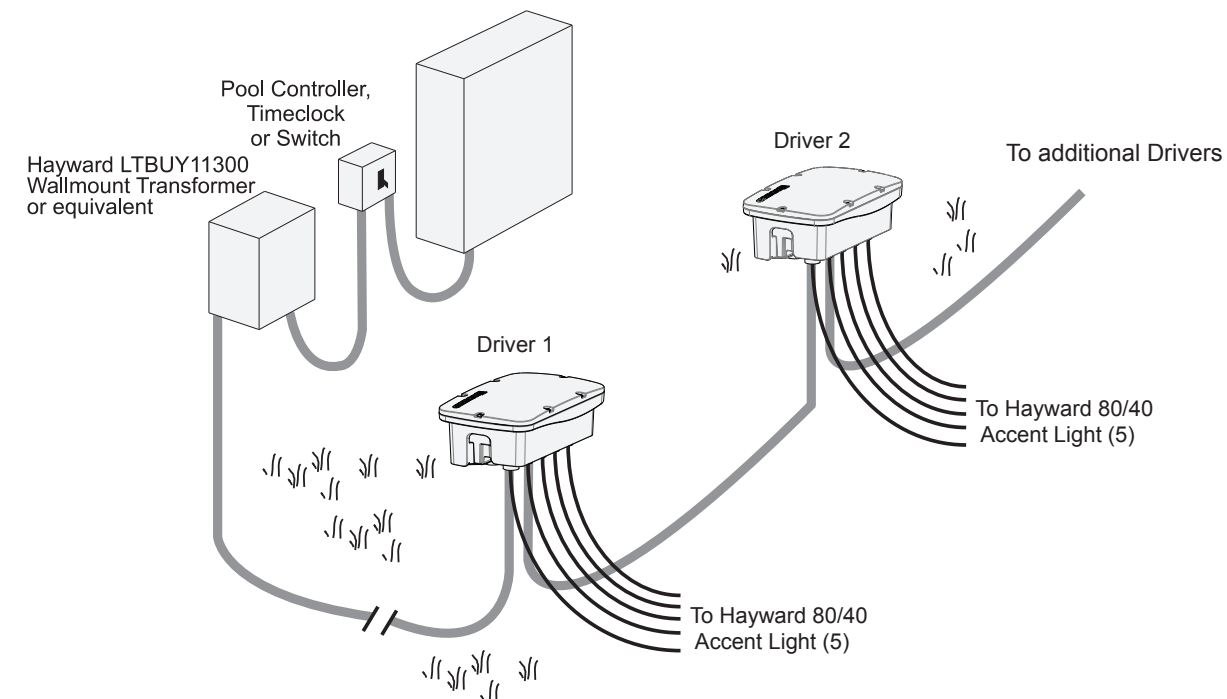


STEP 7: Driver Wiring



STEP 8: Wiring Multiple Drivers

Refer to the diagram below when wiring multiple Drivers.



READ SAFETY INSTRUCTIONS AND COMPLETE SAFETY CHECKLIST INSIDE FRONT COVER OF MANUAL