



HLX-LOC-DSP

Replacement Local Terminal for OmniLogic

Installation Manual

Contents

Description.....	1
Installation.....	1

HLX-LOC-DSP

Hayward Pool Products
620 Division Street, Elizabeth NJ 07207
www.hayward.com



HAYWARD®

Description

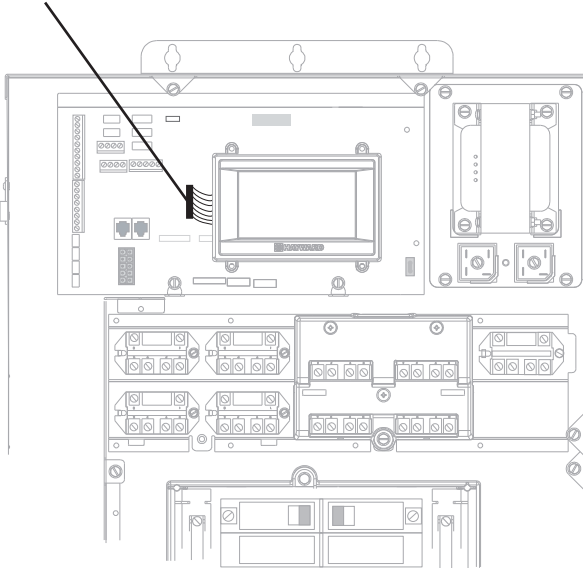
The HLX-LOC-DSP is a replacement Local Terminal (touchscreen) for the OmniLogic pool controller.

Installation

DANGER of Death, Injury or Property Damage if procedure not followed. This accessory connects to the OmniLogic panel beneath the dead front. Dead front removal is required for this installation. Power to the OmniLogic panel **MUST** be shut off before the dead front is removed. This means a complete shutdown of power to the entire OmniLogic panel.

1. Ensure that power is removed from OmniLogic.
2. Remove the dead front to expose the OmniLogic Main Board.
3. Remove the Local Terminal by first unplugging its ribbon cable.

Unplug Local Terminal ribbon cable

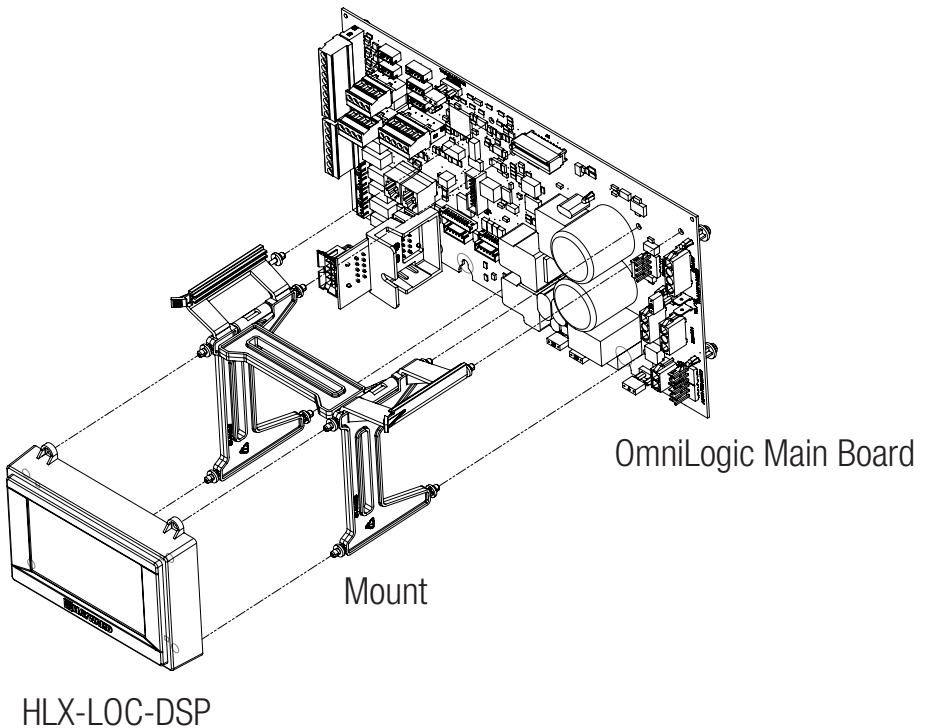




HAYWARD®

4. Pull straight out on the Local Terminal to separate it from the mount. To prevent the mount from detaching from the Main Board, you may have to hold down on the mount while lifting the Local Terminal.
5. Insert the HLX-LOC-DSP onto the top of the mount as shown below.
6. Re-insert the ribbon cable.
7. Replace the dead front and power up the OmniLogic.

Confirm that the Local Terminal is fully functional and secure.



For further information or consumer
technical support, visit our website at
www.hayward.com



Hayward is a registered trademark and OmniLogic is
a trademark of Hayward Industries, Inc. © 2014 Hayward Industries, Inc.

All other trademarks not owned by Hayward are the property of their respective owners.
Hayward is not in any way affiliated with or endorsed by those third parties.

USE ONLY HAYWARD GENUINE REPLACEMENT PARTS