

## Before you begin

Use this Guide **ONLY** if your current light is a 120 volt type. Refer to other Guide if your light is low voltage (12v).

### Pre-Installation Checklist

- Existing pool or spa light operates on 120 volts
- There is a dedicated electrical junction box for the pool/spa light (see Step 1)
- A suitable transformer has been acquired (refer to Step 1 for more information)
- Light fixture housing (Niche) has been installed per the National Electrical Code (NEC)
- Your niche is compatible with the new light (refer to compatibility table in manual)
- If replacing a SwimQuip® light, the tab on the Universal ColorLogic™/CrystaLogic™ light may need to be removed (refer to manual)
- You have wire cutters or shears for cutting the existing light cord
- You have duct tape for taping the new cord to the old cord when pulling through conduit
- You have a Phillips head screwdriver
- You are qualified to work on electrical wiring and understand electric code requirements and wiring methods

### Installation Preparation

- Read the entire Universal ColorLogic/CrystaLogic manual
- Read this entire Guide
- Remove power to the existing pool or spa light at the service panel!**

## STEP 1: Find Junction Box

**If no junction box:** If there is no junction box in place, the connection to the existing light is made directly to a switch, timer, pool controller, or subpanel. If so, a listed Pool/Spa wall mount transformer (Hayward® LTBUY11300) or a junction box transformer kit (Hayward LTBUYxxx) can be used to power the new Universal ColorLogic and 100w CrystaLogic light. Consult with an electrician to re-wire and modify the existing conduit configuration to include the new transformer.

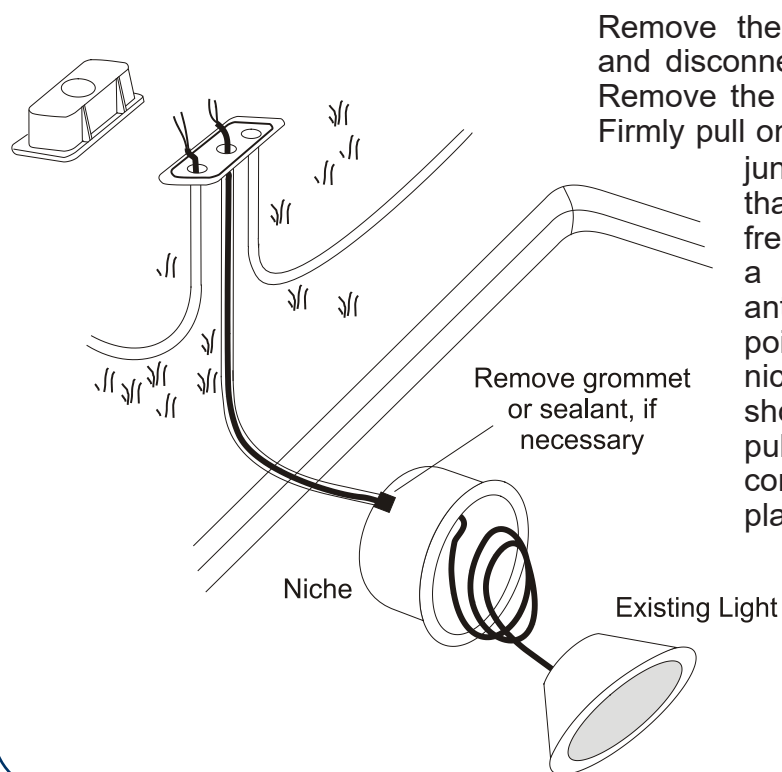
**If there is a junction box:** Determine the manufacturer of your pool or spa light's junction box and acquire a compatible Hayward junction box transformer retrofit kit. Refer to the chart below for Hayward retrofit kit part numbers.

**IMPORTANT:** 300 watt (LPLUS11xxx) and 500 watt (LPWUS11xxx) CrystaLogic lights must be used with low voltage transformers rated 100 watts or greater. Do not use with Hayward LRBUY11xxx and LTBUY11H65 Junction Box Transformers.

Junction Box Manufacturer	Junction Box Model	Hayward Transformer	Rating	Gang
Hayward®	SP680, SP681	LRBUY11H65	70 watt	single
Pentair®	78310500 78310600 78310700	LRBUY11P65	70 watt	single
Intermatic®	PJB2175	LRBUY11M65	70 watt	single
ThermoCraft®	JBP75175	LRBUY11T65	70 watt	single
Intermatic®		LRBUY1113	140 watt	double



## STEP 2: Detach Light



Remove the junction box cover and disconnect the existing light. Remove the light from the niche. Firmly pull on the light cord at the junction box and verify that the cord moves freely. There may be a grommet or sealant at the light cord's point of entry into the niche. Removing this should allow the cord to pull freely through the conduit. Leave cord in place until Step 6.

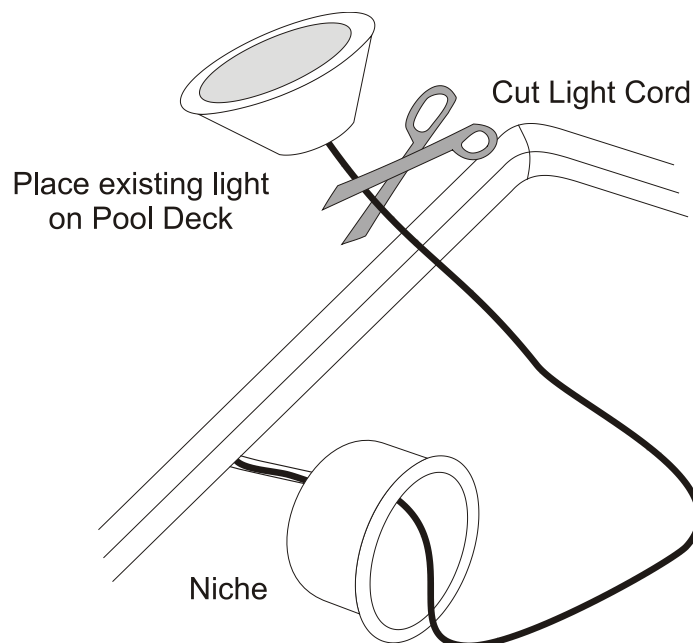
Remove grommet or sealant, if necessary

Niche

Existing Light

## STEP 3: Cut Light Cord

Place the light on the pool deck and cut the light cord as shown below.



Place existing light on Pool Deck

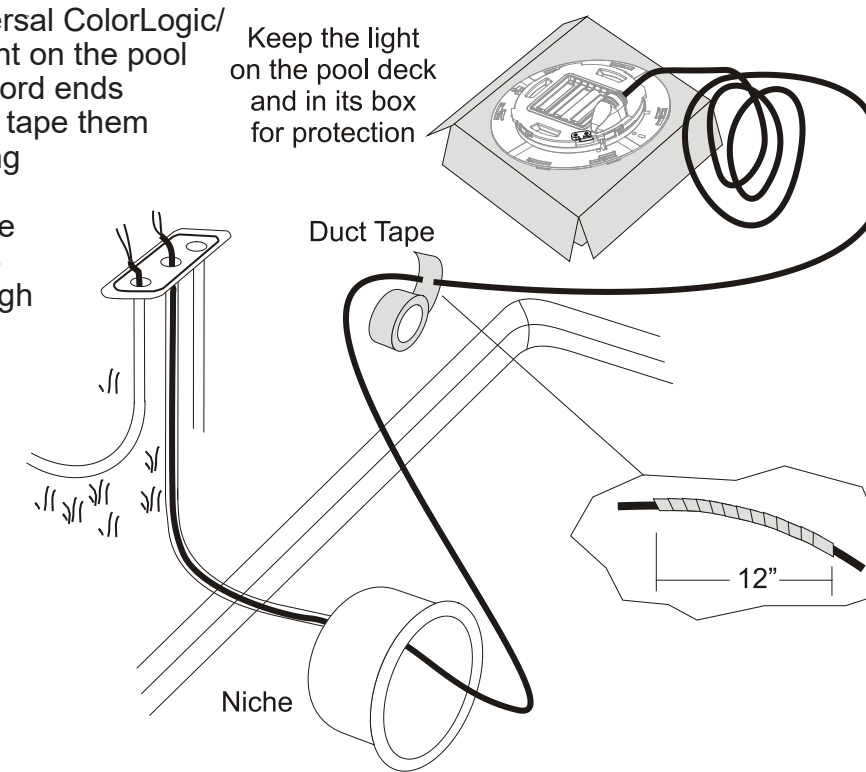
Cut Light Cord

Niche

## STEP 4: Tape Cord ends

Keep the Universal ColorLogic/CrystaLogic light on the pool deck. Dry the cord ends thoroughly and tape them as shown. Using too much tape may prevent the cord from moving freely through conduit.

Keep the light on the pool deck and in its box for protection



Duct Tape

Niche

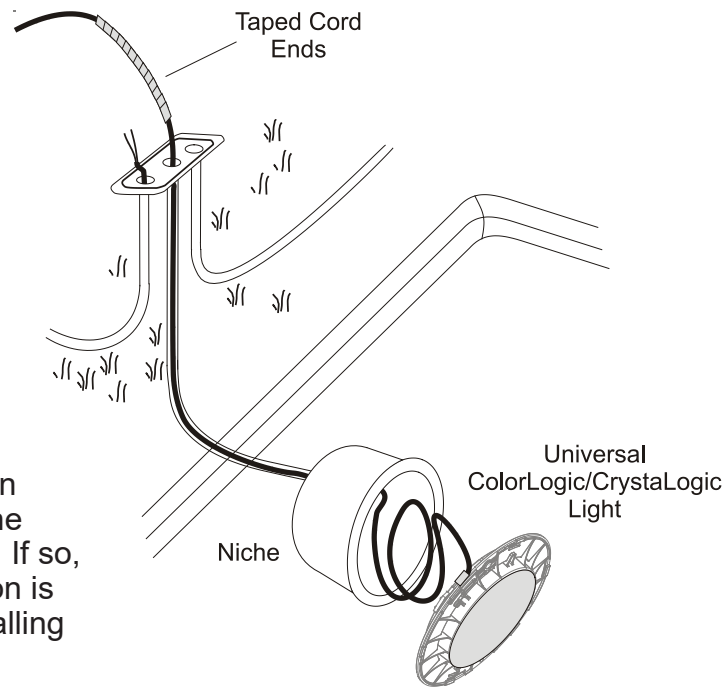
12"

Turn Over 

## STEP 5: Snake Cord through Conduit

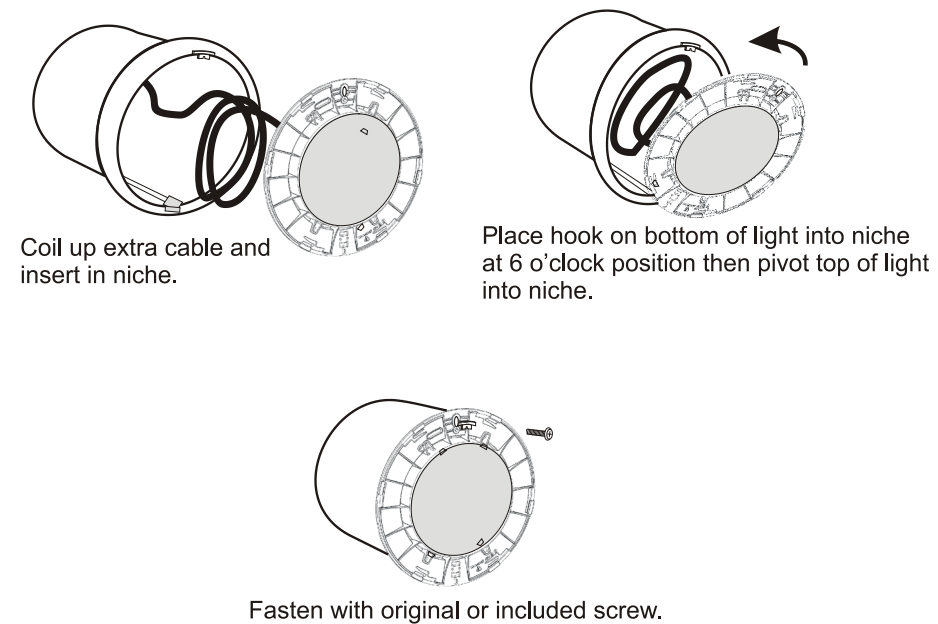
Pull at the junction box or transformer end to snake the Universal ColorLogic/CrystaLogic cord through the conduit. Leave slack at the light end for coiling cord in the niche. The coil length should be adequate for placing the light on the deck if pool servicing ever requires light removal.

Some niches may have an 8AWG connection from the junction box to the niche. If so, ensure that this connection is not interrupted when installing the new light.



## STEP 6a: Install Light to most Niches

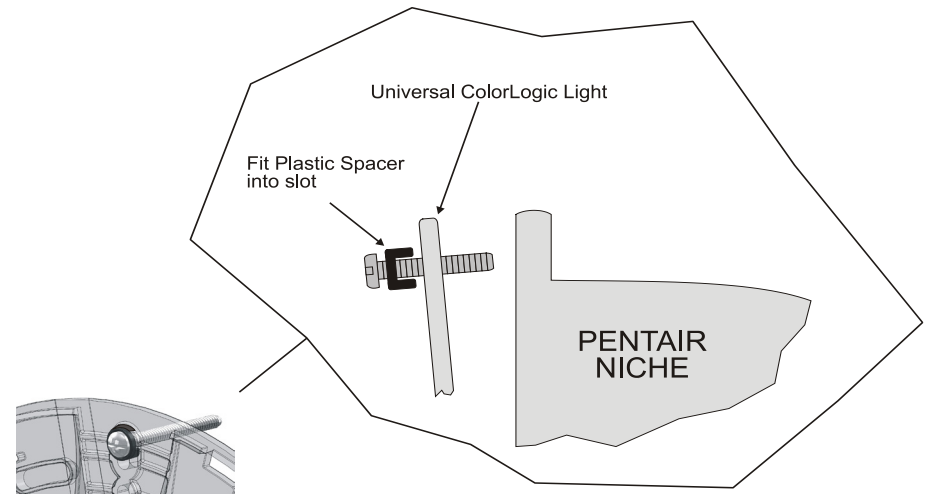
To fasten the Universal ColorLogic/CrystaLogic light to most niches refer to the diagram below.



## STEP 6b: Install Light to Pentair Niche

When installing a pool light into a Pentair® niche, use the included spacer according to the diagram below. Failure to install the plastic spacer properly may result in the light being inadequately fastened. Plastic gunite type niches will not require the spacer.

Refer to the manual for instructions when using a Swimquip niche.



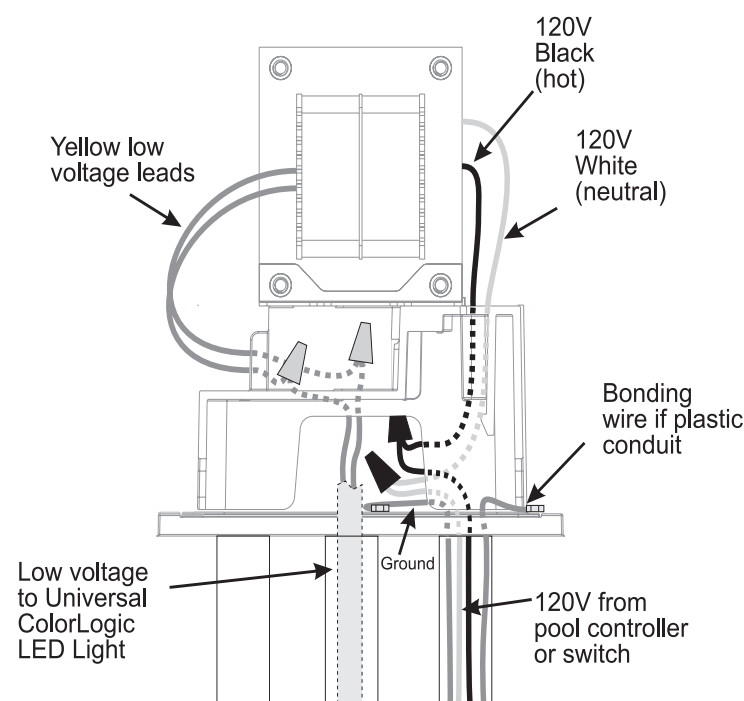
## STEP 7: Install and wire Junction Box Transformer

The junction box retrofit kit transformer must now be installed and wired. Cut excess cord and refer to the diagram for wiring instructions.

**IMPORTANT:** 300 watt (LPLUS11xxx) and 500 watt (LPWUS11xxx) CrystaLogic lights must be used with low voltage transformers rated 100 watts or greater. Do not use with Hayward LRBUY11xxx and LTBUY11H65 Junction Box Transformers.

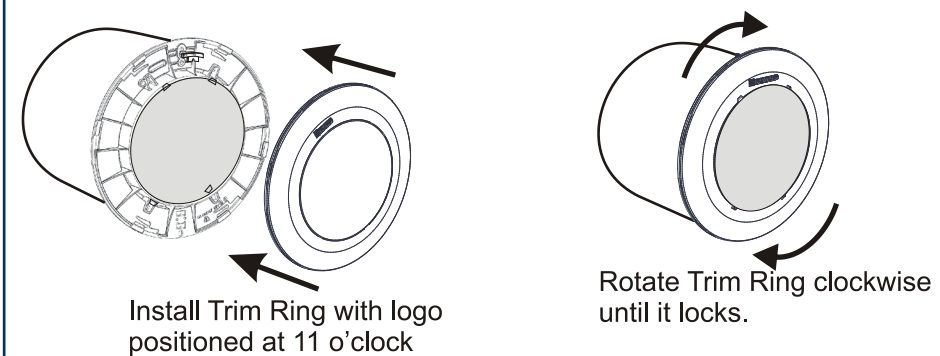
If the new Universal ColorLogic light will be controlled by network communications using a Hayward Pro Logic controller, an LKBUN1000 coupler must also be installed. Refer to the LKBUN1000 instructions for installation and wiring information.

After wiring the Universal ColorLogic/CrystaLogic light to the junction box transformer, install the new cover making sure that the included gasket is in place.



## STEP 8: Install Trim Ring

Install the Trim Ring as shown.



**READ SAFETY INSTRUCTIONS AND COMPLETE SAFETY CHECKLIST INSIDE FRONT COVER OF MANUAL**

Hayward (R) is a registered trademark ColorLogic (TM) and CrystaLogic (TM) is a trademark of Hayward Pool Products, Inc. © 2012 Hayward Pool Products, Inc.

All other trademarks not owned by Hayward are the property of their respective owners. Hayward is not in any way affiliated with or endorsed by those third parties.